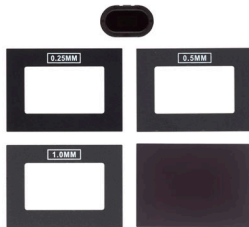
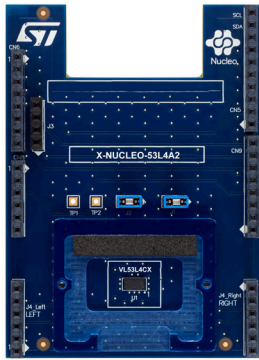


Time-of-Flight sensor with extended range measurement expansion board based on the VL53L4CX for STM32 Nucleo



Features

- VL53L4CX Time-of-Flight sensor with extended range measurement
- Accurate absolute ranging distance, independent of the reflectance of the target
- Distance measurement from 0 mm up to 6 m
- Short distance linearity down to 10 mm
- Histogram-based technology
- Multiobject detection capability
- Targets beyond 80 cm range are immune to crosstalk from cover glass, and smudge
- 0.25, 0.5, and 1 mm spacers to simulate air gaps
- Two different cover glasses to protect the sensor from the dust
- Compatible with STM32 Nucleo development boards
- Equipped with Arduino UNO R3 connectors
- Full system software supplied, including code examples and graphical user interface
- RoHS, CE, UKCA, and China RoHS compliant

Description

The X-NUCLEO-53L4A2 is an expansion board for any STM32 Nucleo development board equipped with the Arduino R3 connectors. It provides a complete evaluation kit that allows you to learn, evaluate, and develop applications using the VL53L4CX Time-of-Flight sensor with extended range measurement.

The expansion board is delivered with a cover glass holder in which you can fit three different spacers of 0.25, 0.5, and 1 mm height below the cover glass to simulate various air gaps. A small oval cover glass fitting the sensor is included.

Several ST expansion boards can be superposed through the Arduino connectors, which allow, for example, the development of VL53L4CX applications with Bluetooth or Wi-Fi interfaces.

Product summary	
Time-of-Flight sensor with extended range measurement expansion board based on the VL53L4CX for STM32 Nucleo	X-NUCLEO-53L4A2
Time-of-Flight sensor software expansion for STM32Cube	X-CUBE-TOF1
STM32 Nucleo-64 development board with STM32F401RE MCU	NUCLEO-F401RE
Applications	Personal Electronics - Audio and Video/ Gaming and Drones/Virtual - Augmented Reality/Wearable

1 Ordering information

Table 1. Ordering information

Order code	Core product
X-NUCLEO-53L4A2-	VL53L4CX

2 Laser safety considerations

The VL53L4CX contains a laser emitter and corresponding drive circuitry.

The laser output is designed to remain within Class 1 laser safety limits under all reasonable foreseeable conditions, including single faults, in compliance with the IEC 60825-1:2014 (third edition).

The laser output remains within Class 1 limits as long as you use the STMicroelectronics recommended device settings and respect the operating conditions specified in the data sheet.

The laser output power must not be increased and no optics should be used with the intention of focusing the laser beam.

Figure 1. Class 1 laser product label



3 Optional VL53L4CX breakout boards

The SATEL-VL53L4CX is designed to connect remotely the VL53L4CX sensor to any type of electronic controller.

Attention: The VL53L4CX is delivered with a liner to prevent potential foreign material from piercing the module holes during the assembly process. Remove this liner before use.

The VL53L4CX breakout boards can be directly plugged onto the X-NUCLEO-53L4A2 expansion board through two six-pin connectors (Figure 2) or through flying wires (Figure 3).

You can buy the breakout boards separately as SATEL-VL53L4CX. This order code package includes two breakout boards.

Figure 2. SATEL-VL53L4CX breakout boards connected to the X-NUCLEO-53L4A2 expansion board

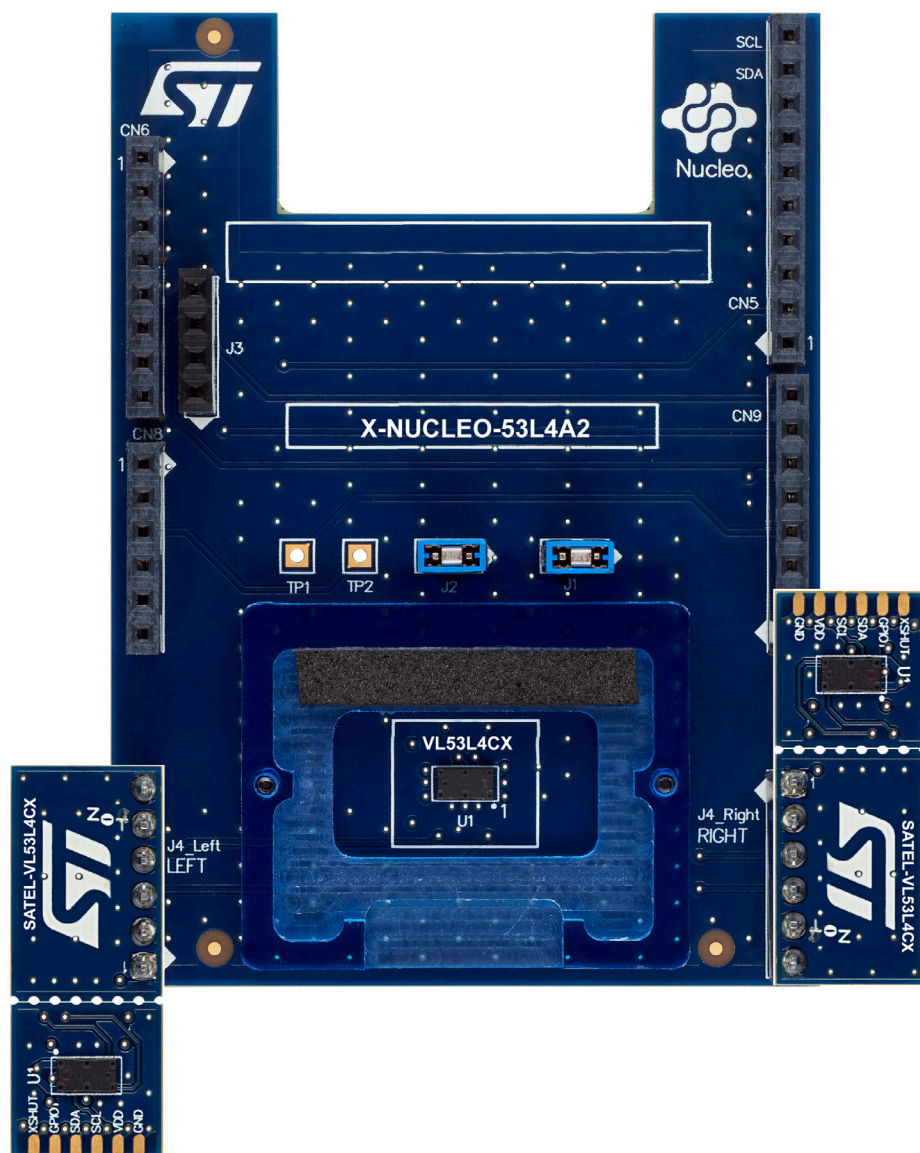
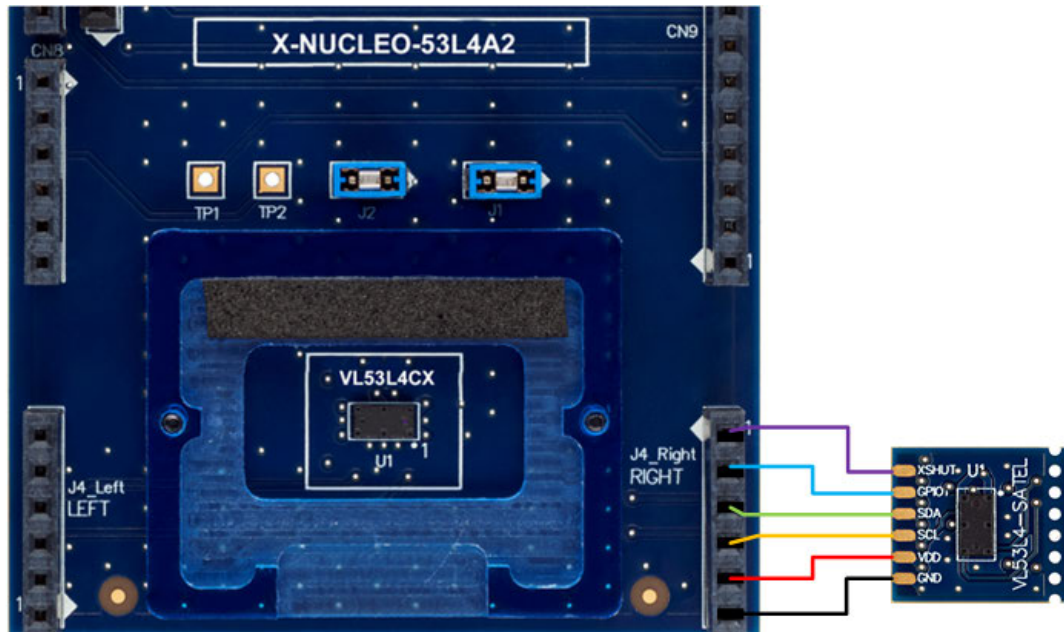


Figure 3. VL53L4CX mini PCB flying wires connection to X-NUCLEO-53L4A2 expansion board



4 Simplified schematics

Figure 4. X-NUCLEO-53L4A2 simplified schematic

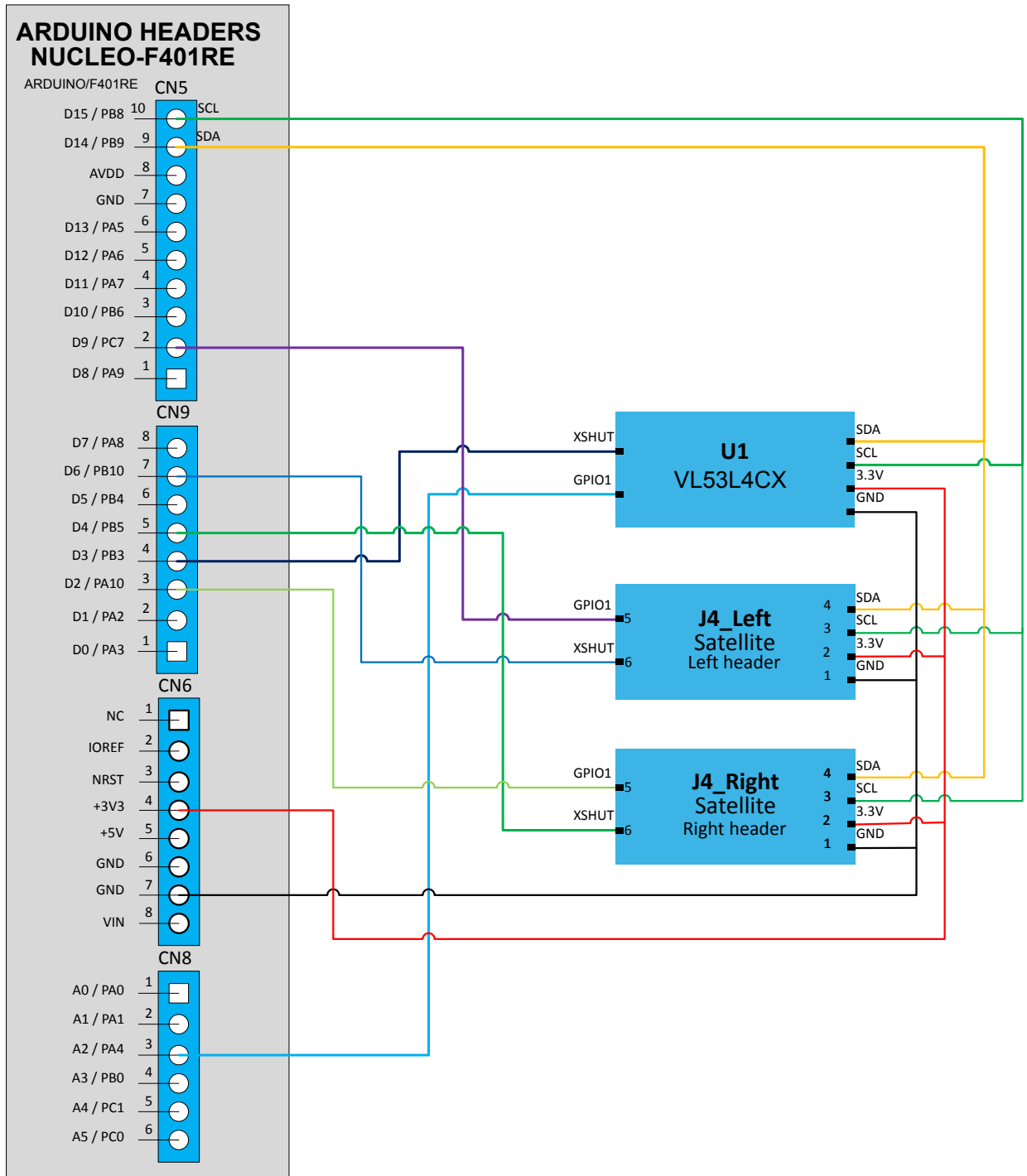
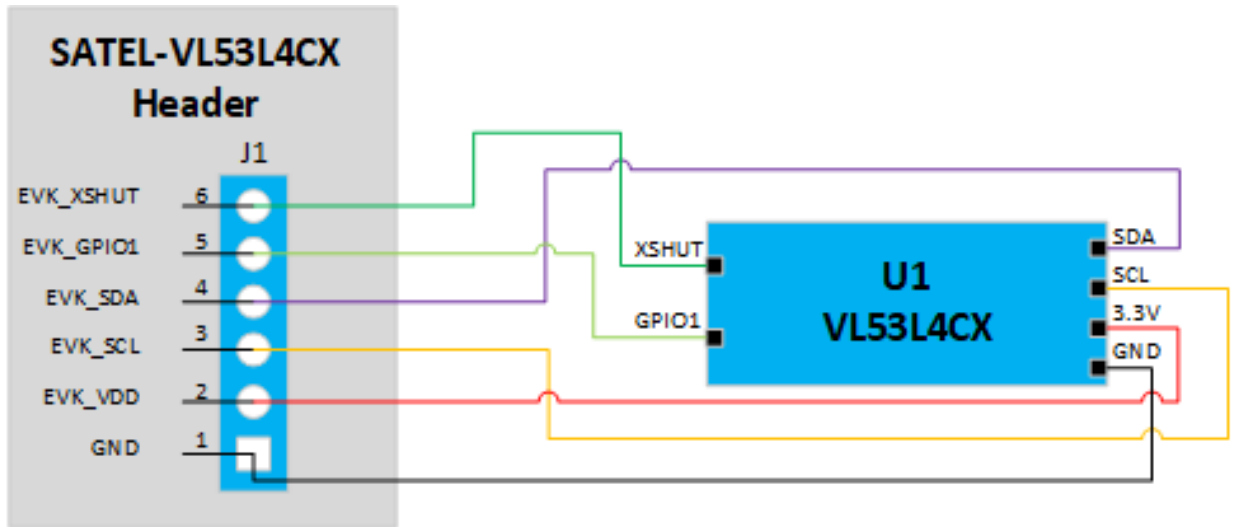


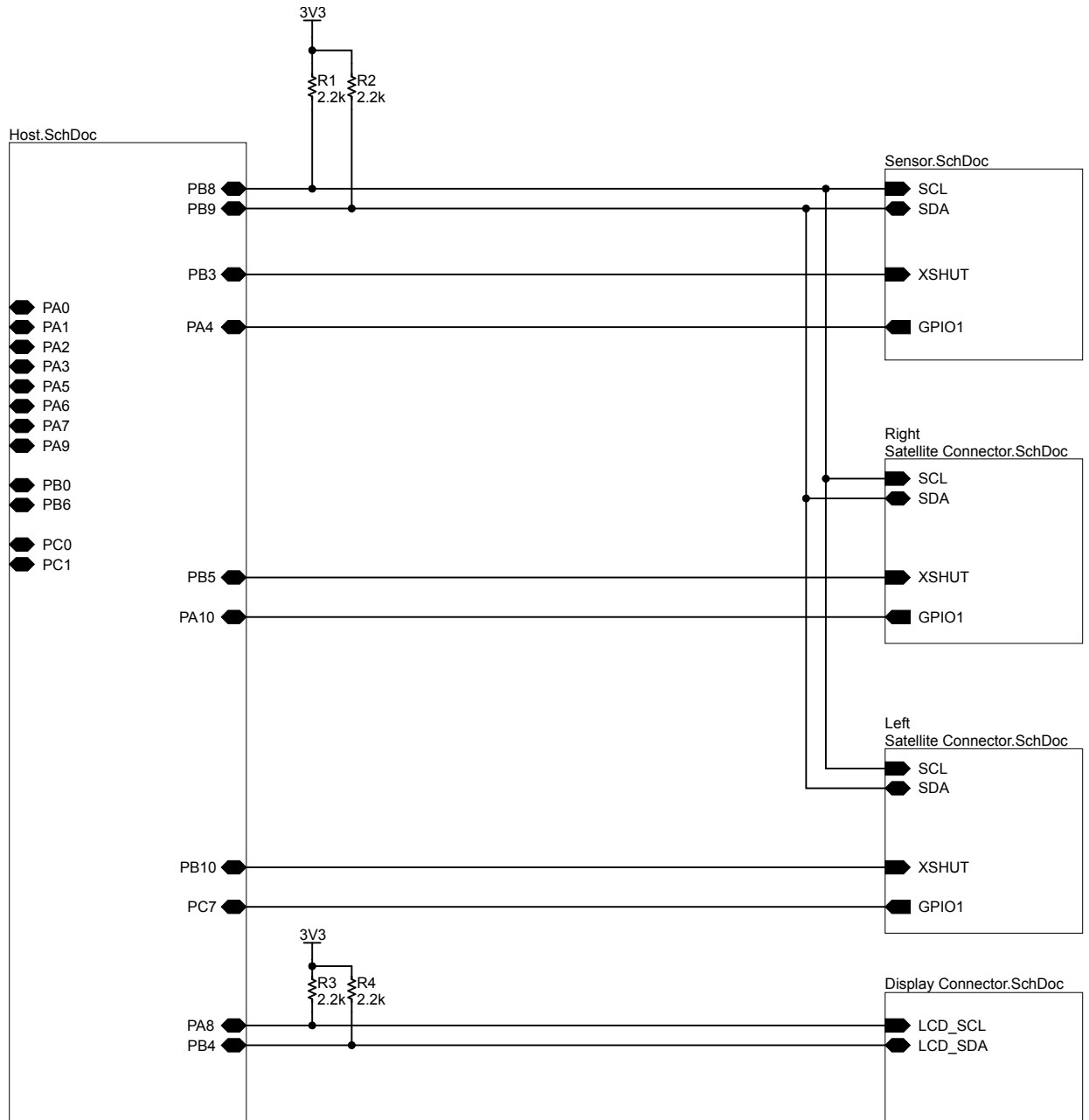
Figure 5. SATEL-VL53L4CX simplified schematic



5 Schematic diagrams

Note: These schematic diagrams refer to the board latest version.

Figure 6. X-NUCLEO-53L4A2 circuit schematic (1 of 6)



Note: The display connector is an optional connector to connect an SSD1306 I2C OLED display to output the ranging data or other meaningful information if required. The related application note and example code will be available on st.com.

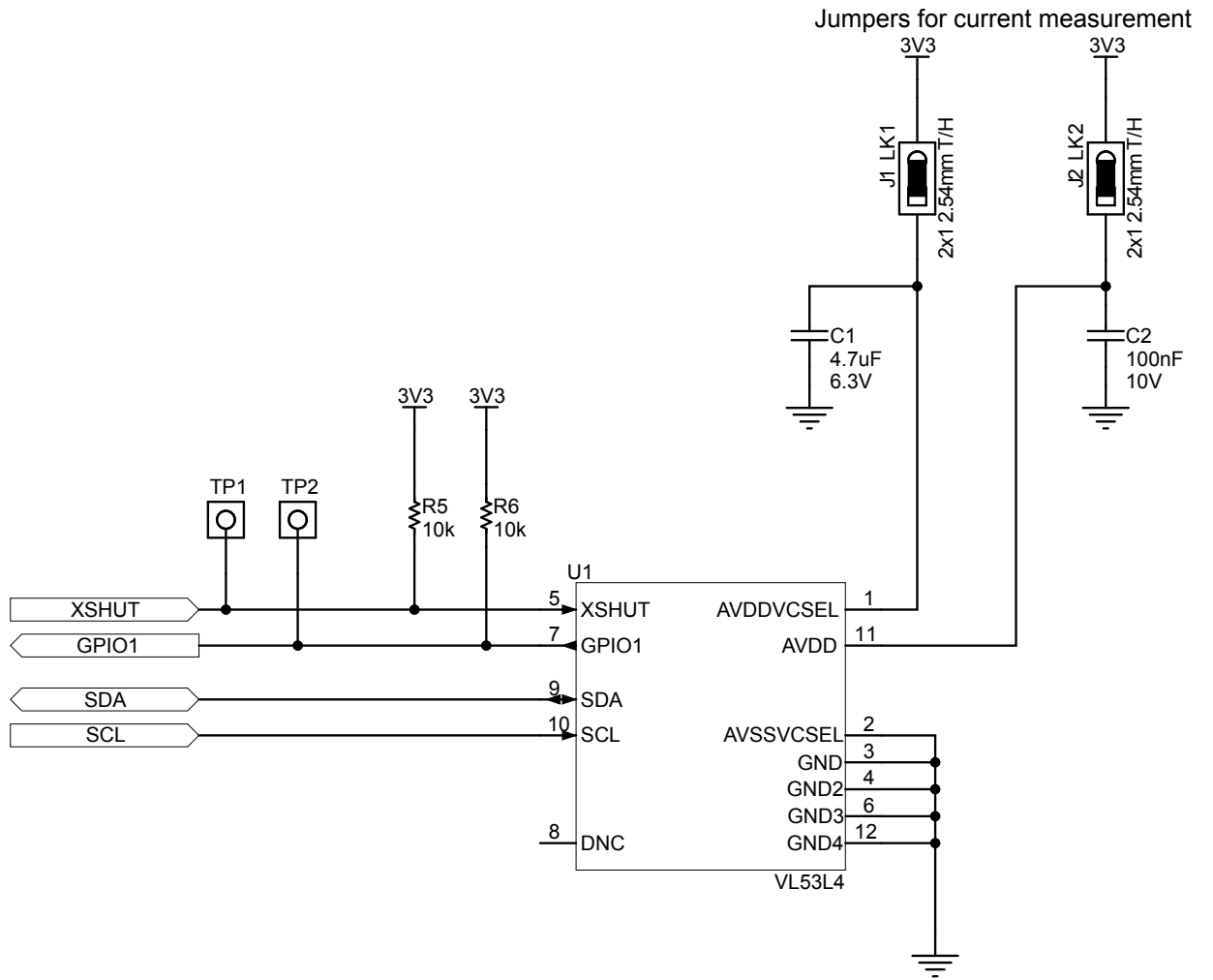
Figure 7. X-NUCLEO-53L4A2 circuit schematic (2 of 6)


Figure 8. X-NUCLEO-53L4A2 circuit schematic (3 of 6)

Nucleo Arduino Connectors

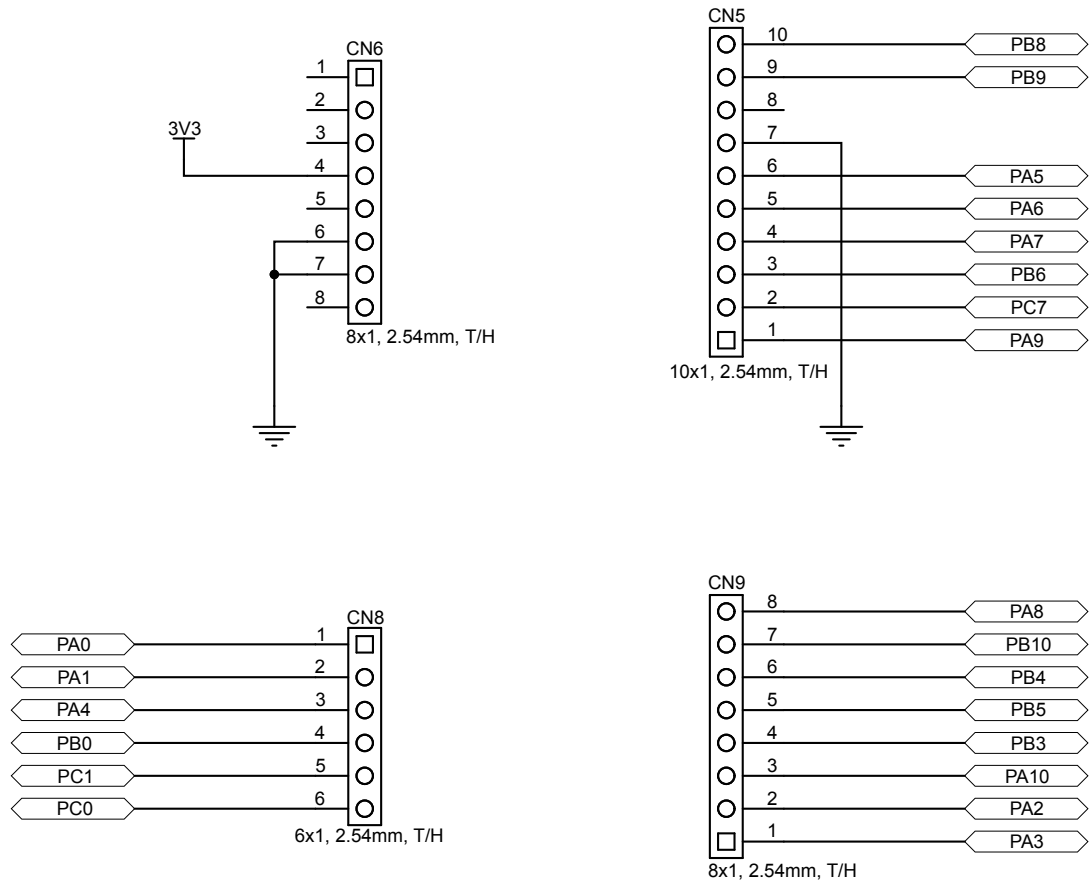


Figure 9. X-NUCLEO-53L4A2 circuit schematic (4 of 6)

Header for LCD

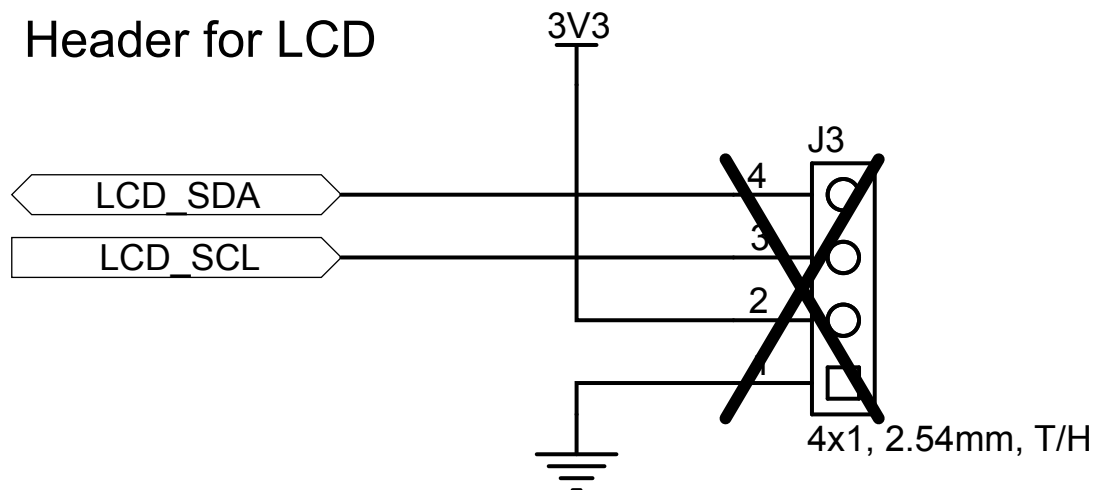


Figure 10. X-NUCLEO-53L4A2 circuit schematic (5 of 6)

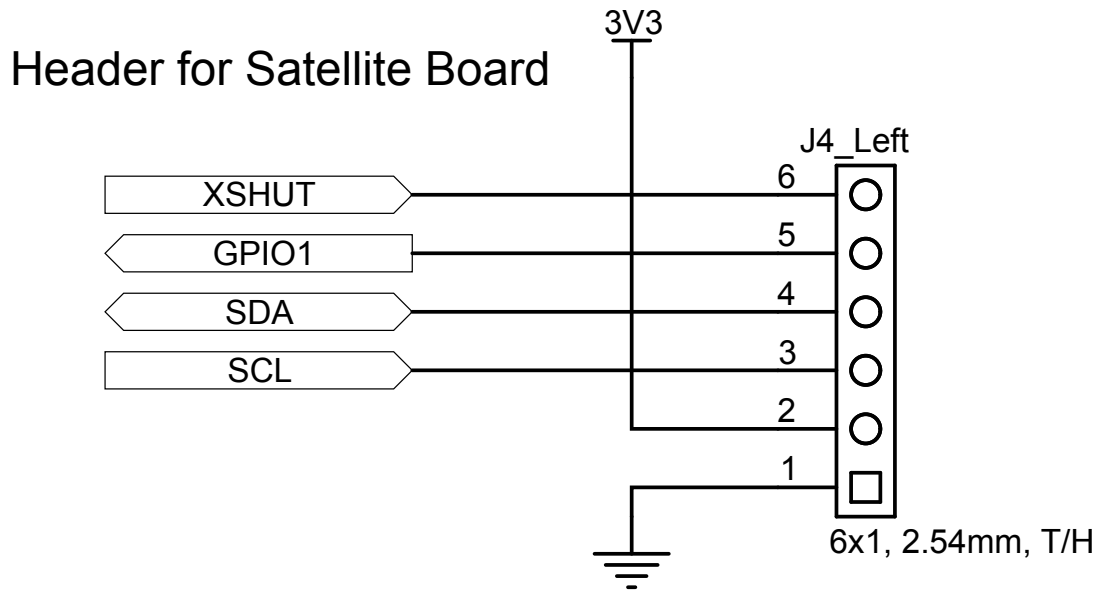
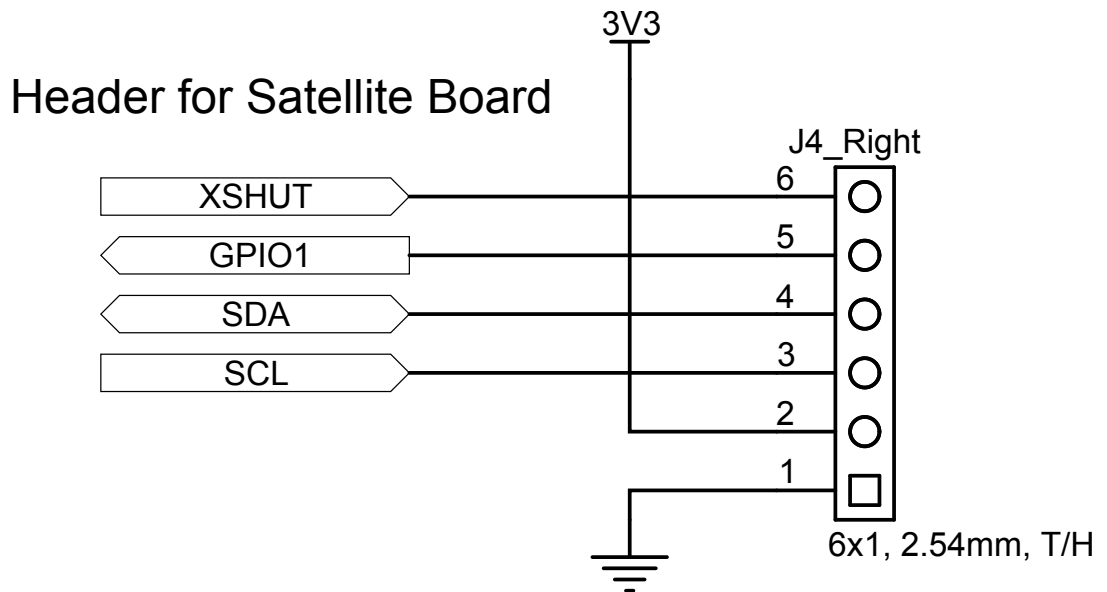


Figure 11. X-NUCLEO-53L4A2 circuit schematic (6 of 6)



6 Board versions

Table 2. X-NUCLEO-53L4A2 versions

PCB version	Schematic diagrams	Bill of materials
X\$NUCLEO-53L4A2- ⁽¹⁾	X\$NUCLEO-53L4A2- schematic diagrams	X\$NUCLEO-53L4A2-bill of materials

1. This code identifies the X-NUCLEO-53L4A2 evaluation board first version. It is printed on the board PCB.

Revision history

Table 3. Document revision history

Date	Revision	Changes
21-Dec-2021	1	Initial release.
07-Mar-2022	2	Updated cover page features.
04-Apr-2022	3	Added Section 1 Ordering information.

IMPORTANT NOTICE – READ CAREFULLY

STMicroelectronics NV and its subsidiaries (“ST”) reserve the right to make changes, corrections, enhancements, modifications, and improvements to ST products and/or to this document at any time without notice. Purchasers should obtain the latest relevant information on ST products before placing orders. ST products are sold pursuant to ST’s terms and conditions of sale in place at the time of order acknowledgment.

Purchasers are solely responsible for the choice, selection, and use of ST products and ST assumes no liability for application assistance or the design of purchasers’ products.

No license, express or implied, to any intellectual property right is granted by ST herein.

Resale of ST products with provisions different from the information set forth herein shall void any warranty granted by ST for such product.

ST and the ST logo are trademarks of ST. For additional information about ST trademarks, refer to www.st.com/trademarks. All other product or service names are the property of their respective owners.

Information in this document supersedes and replaces information previously supplied in any prior versions of this document.

© 2022 STMicroelectronics – All rights reserved