

Customer Part:



Description

- 32.768kHz output crystal oscillator in a ceramic package, hermetically sealed with a seam sealed metal lid. Suitable for real time clock applications.
- Model **CFPS-102**
- Model Issue number **5**

Frequency Parameters

- Frequency **32.7680kHz**
- Frequency Stability **±25.00ppm**
- Operating Temperature Range **-40.00 to 85.00°C**
- Ageing **±3ppm max per year**

Electrical Parameters

- Supply Voltage **1.8V ±5%**
- Current Draw **1.500mA max**

Output Details

- Output Compatibility **CMOS**
- Drive Capability **15pF max**
- Rise and Fall Time **50.0ns max**
- Duty Cycle **40/60% max**

Output Control

- Standby Operation:
Logic '1' (>70% VS) to pad 1 enables oscillator output
Logic '0' (<30% VS) to pad 1 disables oscillator output; when disabled the oscillator output goes to the high impedance state
No connection to pad 1 enables oscillator output.
- Start-up Time: 35ms max
2ms typ to 90% of final amplitude (under ideal conditions @ 25°C)
- Standby Current: 20µA max, 1.7µA typ @ 25°C

Environmental Parameters

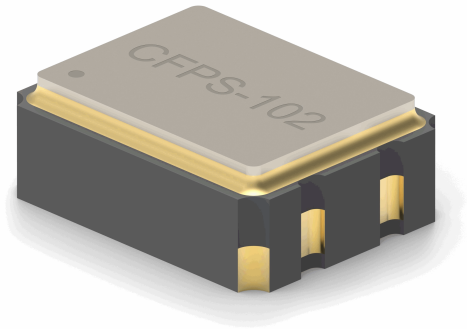
- Storage Temperature Range: -55 to 125°C
- Shock: MIL-STD-883F, Method 2002.4: 1500G, 0.5ms, 3 times in each of 3 mutually perpendicular planes
- Vibration: MIL-STD-883F, Method 2007.3: 20G (20Hz-2000Hz), 1.52mm amplitude, 20mins in 3 mutually perpendicular planes (total 4hrs)

Compliance

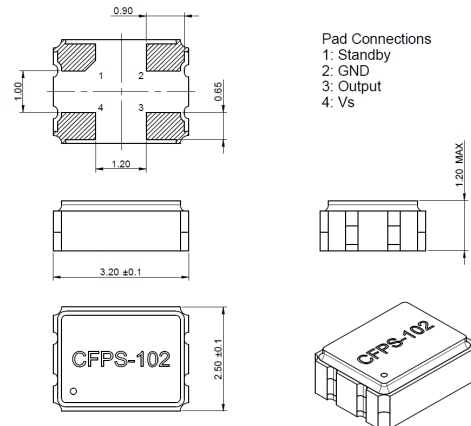
- RoHS Status (2015/863/EU) **Compliant**
- REACH Status **Compliant**
- MSL Rating (JDEC-STD-033): **Not Applicable**

Packaging Details

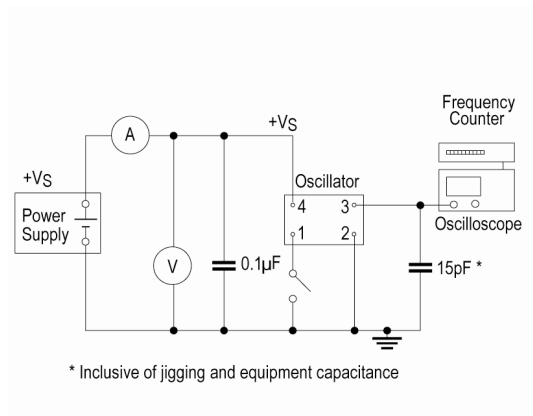
- Pack Style: RL3K Tape & reel in accordance with EIA-481-D
Pack Size: 3,000
- Alternative packing option available



Outline (mm)



Test Circuit



Sales Office Contact Details:

UK: +44 (0)1460 270200

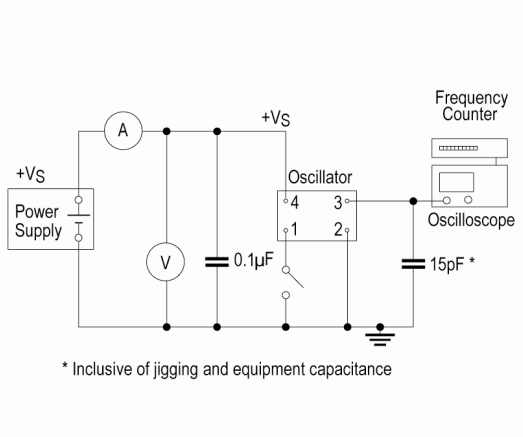
USA: +1.760.318.2824

Email: info@iqdfrequencyproducts.com

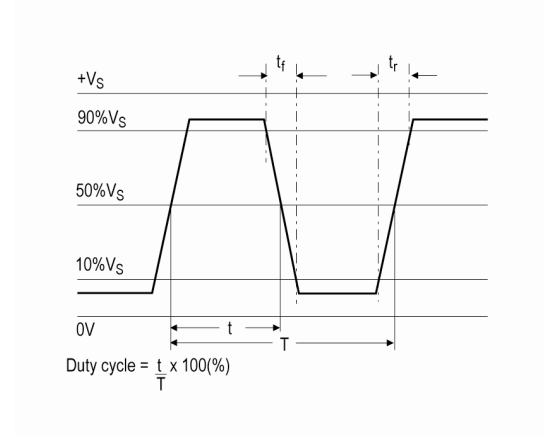
Web: www.iqdfrequencyproducts.com

Customer Part:

Test Circuit



Wave Form



Sales Office Contact Details:

UK: +44 (0)1460 270200

USA: +1.760.318.2824

Email: info@iqdfrequencyproducts.com

Web: www.iqdfrequencyproducts.com