

Compensated High Current Choke, 3-phase and neutral line

new



See below:

**Approvals and Compliances**

**Description**

- Current compensated choke
- 3-phase and neutral line
- THT-terminals
- Flange for mounting onto printed circuit board

**Unique Selling Proposition**

- Compact size and light weight
- Open design optimizes heat dissipation
- Nanocrystalline ring cores (NK)
- Customer specific pin outs available

**Applications**

- Frequency converter
- Charge stations
- UPS-systems

**Weblinks**

[pdf data sheet](#), [html datasheet](#), [General Product Information](#), [Approvals](#), [Distributor-Stock-Check](#), [Detailed request for product](#), [Landing Page](#)

**Technical Data**

Rated voltage	500/760 VAC/VDC	Test Voltage	500V: 2150VDC, 2 sec, winding to winding
Rated Current	10 - 40A @ Ta 40 °C		760V: 3300VDC, 2 sec, winding to winding
Rated inductance	0.75 - 6.5mH, Tol. -30% +50%	Climatic Category	40/100/21 acc. to IEC 60068-1
Power Operating Frequency	0 - 400Hz	Allowable Operation Temp.	-40°C to 100°C
Terminal Type	THT		
Weight	100 - 165g		
Material: Housing	UL 94V-0		

**Approvals and Compliances**

Detailed information on product approvals, code requirements, usage instructions and detailed test conditions can be looked up in [Details about Approvals](#)

SCHURTER products are designed for use in industrial environments. They have approvals from independent testing bodies according to national and international standards. Products with specific characteristics and requirements such as required in the automotive sector according to IATF 16949, medical technology according to ISO 13485 or in the aerospace industry can be offered exclusively with customer-specific, individual agreements by SCHURTER.

**Application standards**

Application standards where the product can be used

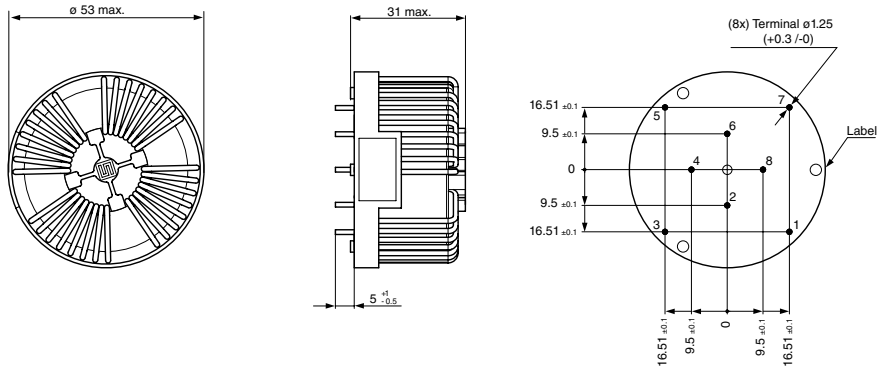
Organization	Design	Standard	Description
	Designed for applications acc.	IEC/UL 62368-1	Audio/video, information and communication technology equipment - Part 1: Safety requirements

**Compliances**

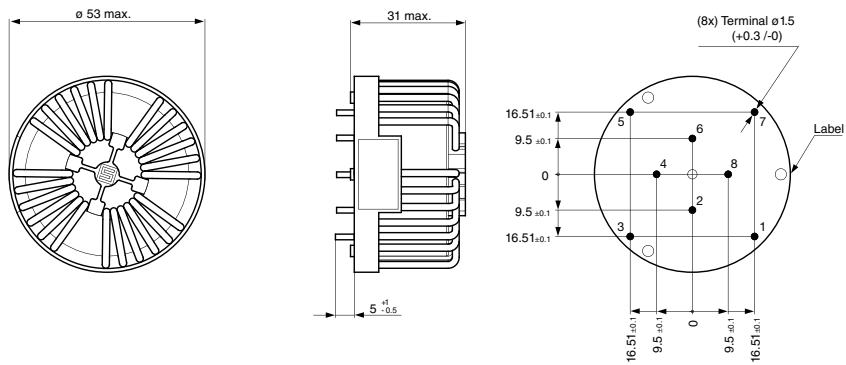
The product complies with following Guide Lines

Identification	Details	Initiator	Description
	RoHS	SCHURTER AG	Directive RoHS 2011/65/EU, Amendment (EU) 2015/863
	China RoHS	SCHURTER AG	The law SJ / T 11363-2006 (China RoHS) has been in force since 1 March 2007. It is similar to the EU directive RoHS.
	REACH	SCHURTER AG	On 1 June 2007, Regulation (EC) No 1907/2006 on the Registration, Evaluation, Authorization and Restriction of Chemicals 1 (abbreviated as "REACH") entered into force.

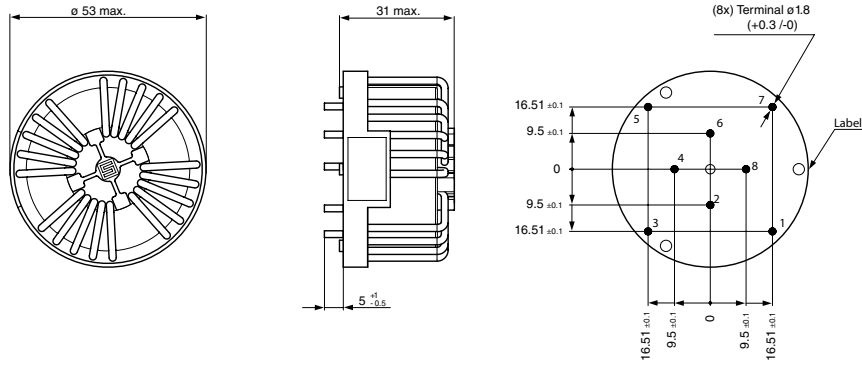
Dimension [mm]  
 52-10



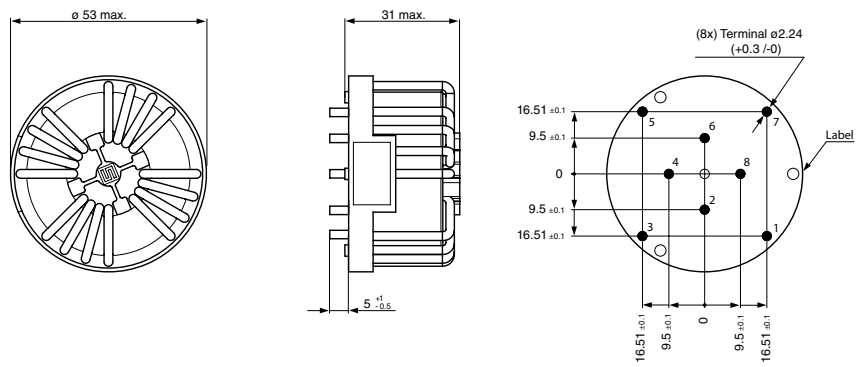
52-12



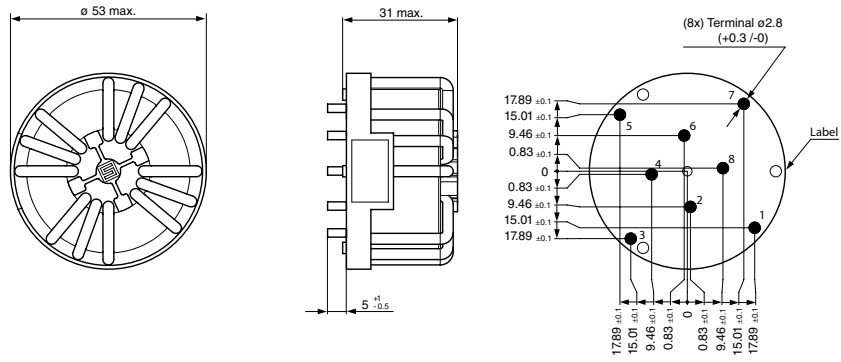
52-16



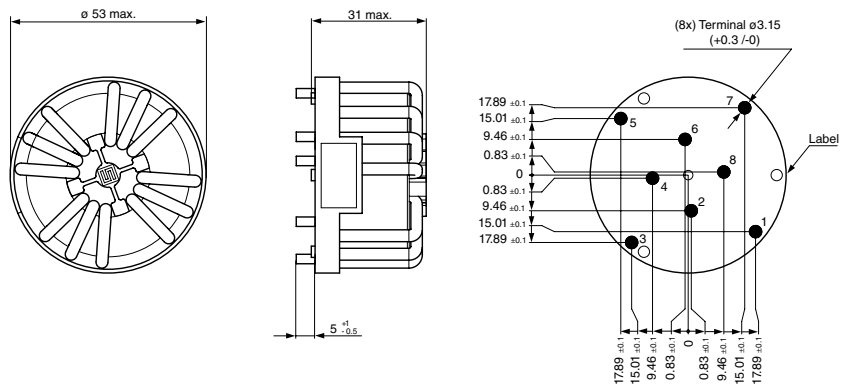
52-25



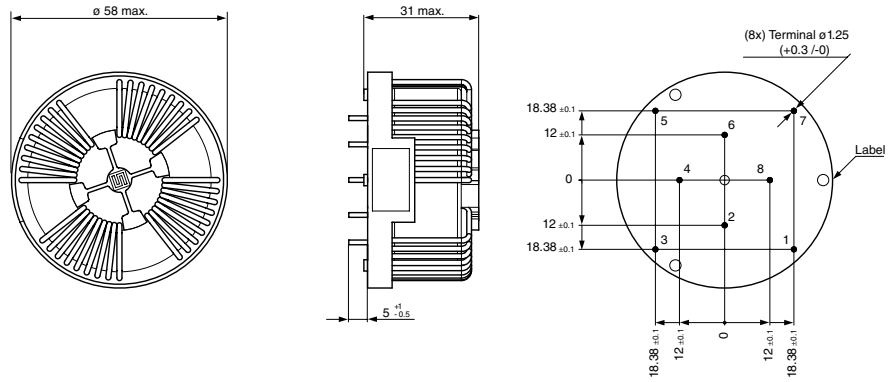
52-32



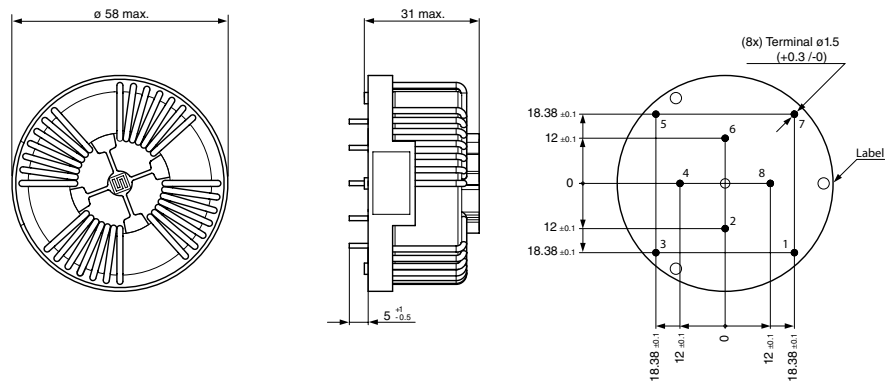
52-40



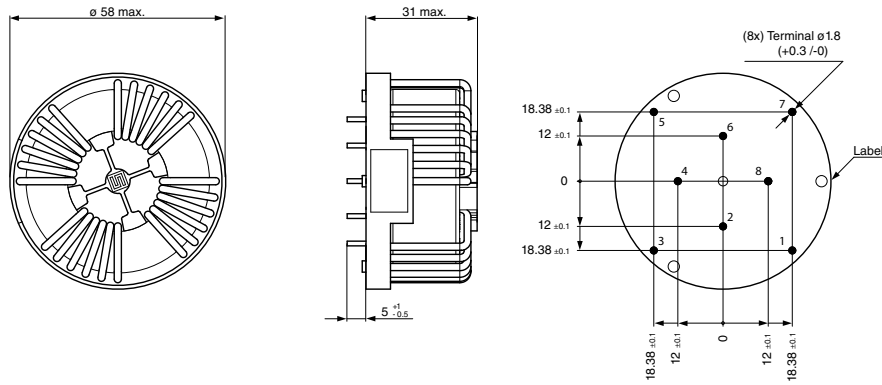
58-10



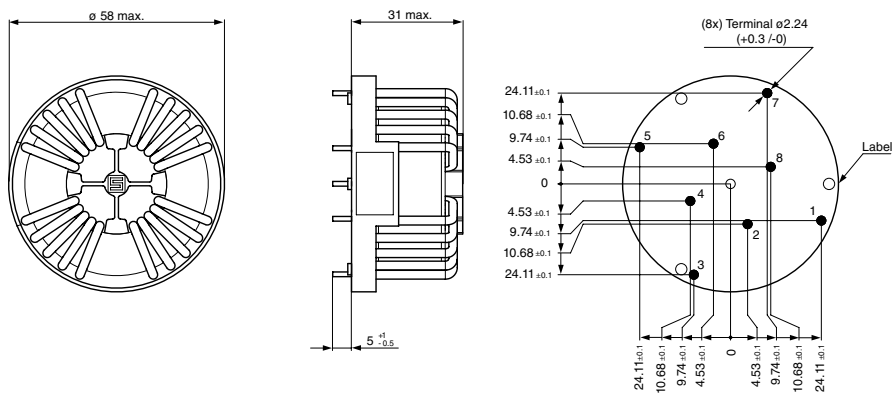
58-12



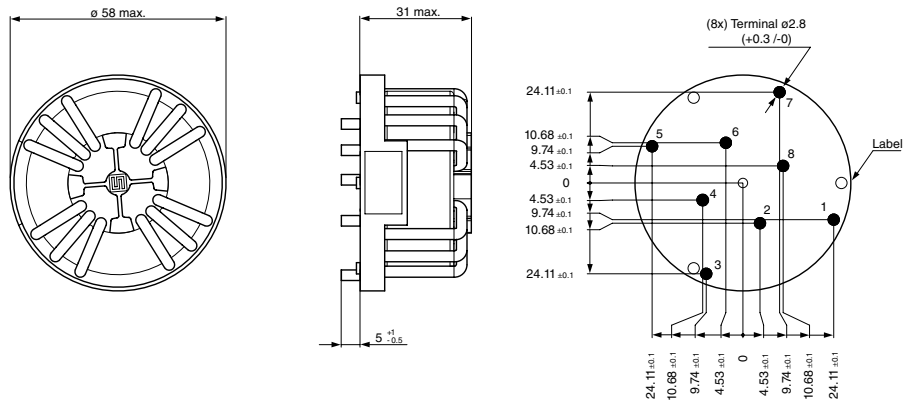
58-16



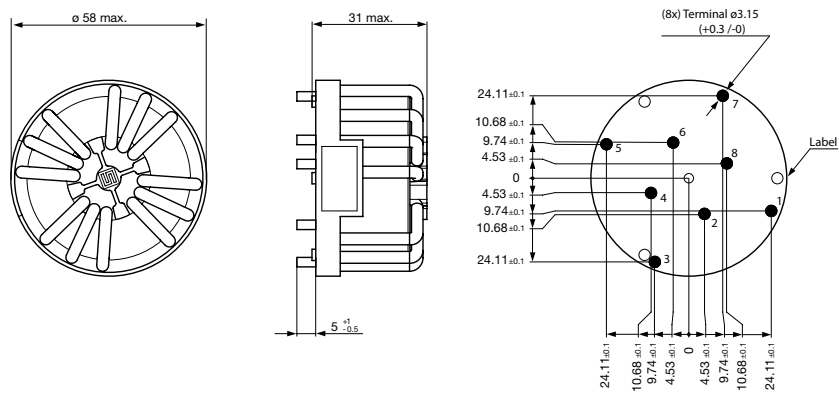
58-25



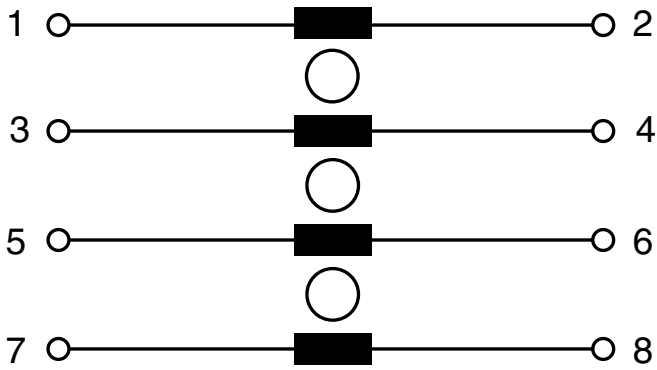
58-32



58-40

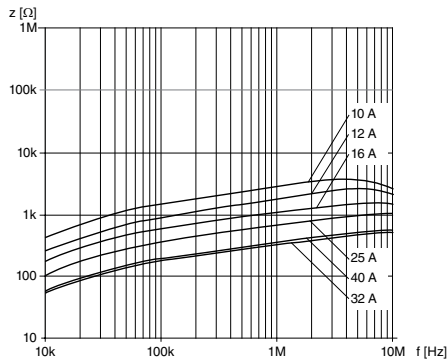


Diagrams

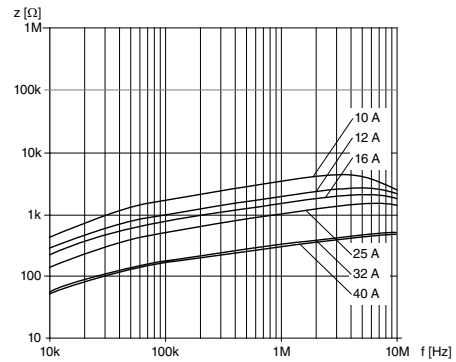


Impedance curves

500 VDC



760 VDC



All Variants

$I_n$ [A]	$U_n$ [V]	$L_n$ [mH]	$R_{cu}$ [mΩ]	Tripped Power Dissipation [W]	$f_{RES}$ [MHz]	Copper $\phi$ [mm]	Weight [g]	Housing	Packing unit [pcs.]	Order Number
10	500	5.5	7	2.8	3.68	1.25	100 g	52-10	20	3-108-426
12	500	3	3.7	2.13	5.06	1.5	105 g	52-12	20	3-108-427
16	500	2.1	2.12	2.17	6.6	1.8	100 g	52-16	20	3-108-428
20	500	1.35	1.12	2.8	9.56	2.24	110 g	52-25	20	3-108-429
25	500	1.35	1.12	2.8	9.56	2.24	110 g	52-25	20	3-108-430
32	500	0.75	0.55	2.25	15.4	2.8	130 g	52-32	20	3-108-431
40	500	0.75	0.44	2.82	13.4	3.15	140 g	52-40	20	3-108-432
10	760	6.5	8	3.2	3.2	1.25	130 g	58-10	20	3-108-433
12	760	4.0	4.33	2.49	4.8	1.5	130 g	58-12	20	3-108-434
16	760	3.0	2.6	2.66	5.18	1.8	140 g	58-16	20	3-108-435
20	760	2.0	1.4	3.5	6.6	2.24	150 g	58-25	20	3-108-436
25	760	2.0	1.4	3.5	6.6	2.24	150 g	58-25	20	3-108-437
32	760	0.75	0.55	2.25	15.4	2.8	155 g	58-32	20	3-108-438
40	760	0.75	0.44	2.82	15.4	3.15	165 g	58-40	20	3-108-439

Most Popular.

Availability for all products can be searched real-time: <https://www.schurter.com/en/Stock-Check/Stock-Check-SCHURTER>