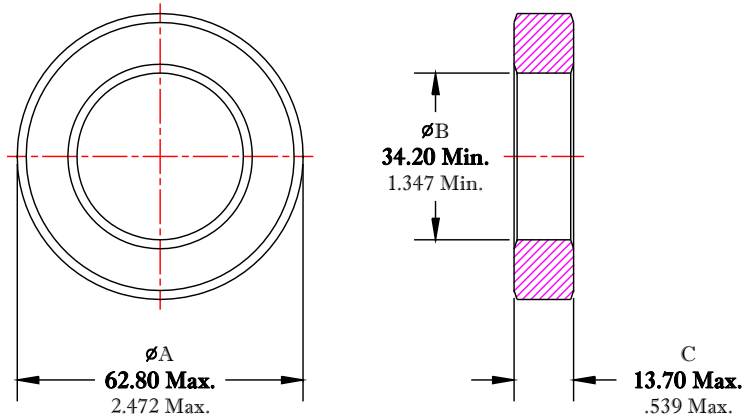


** Not all features are shown in this drawing. For more detailed information, please contact your Fair-Rite representative.

UNCONTROLLED ~CATALOG~ DRAWING

SIZE	PART NO.	REV.
B	5977003821	~




DIMENSIONS
BOLD NUMBERS ARE IN MILLIMETERS
 LIGHT NUMBERS ARE IN INCHES

ELECTRICAL SPECIFICATIONS						
$\Sigma l/A(mm^{-1})$	$le (mm)$	$Ae (mm^2)$	$Ve (mm^2)$	$Lo (nH)$	$AL (nH)$ @10kHz <10gauss	$\tan \delta/\mu_i$ @100kHz <1gauss
0.9136	144	157	22797	1.371	2950 $\begin{smallmatrix} +25\% \\ -30\% \end{smallmatrix}$	$\leq 25 \times 10^{-6}$

NOTES:

- 1 - THIS PART TO BE THERMOSET PLASTIC COATED, USE APPROVED FR# 5977003801.
- 2 - COATED TOROID TO WITHSTAND A MINIMUM BREAKDOWN VOLTAGE OF 1000 Vrms, WHEN UNIFORMLY APPLIED ACROSS THE "C" DIMENSION.
- 3 - COATING THICKNESS = 0.25mm (.010") Max.

FR# 77

 FAIR-RITE PRODUCTS CORP.						
TITLE COATED TOROID						
DRAWN BY J.SERENCISCS	DATE 07-17-2018	SIZE	PART NO.	REV.		
CHKD BY		B	5977003821	~		
APPRVD BY		SCALE	NONE	SHEET	1	of 1