

4

3

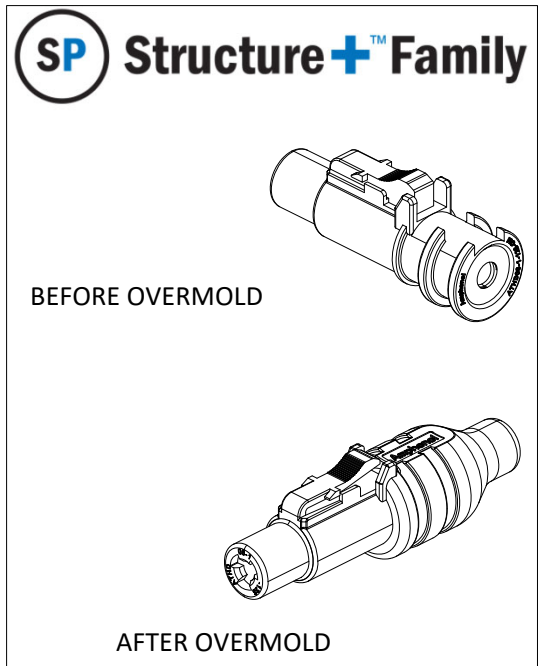
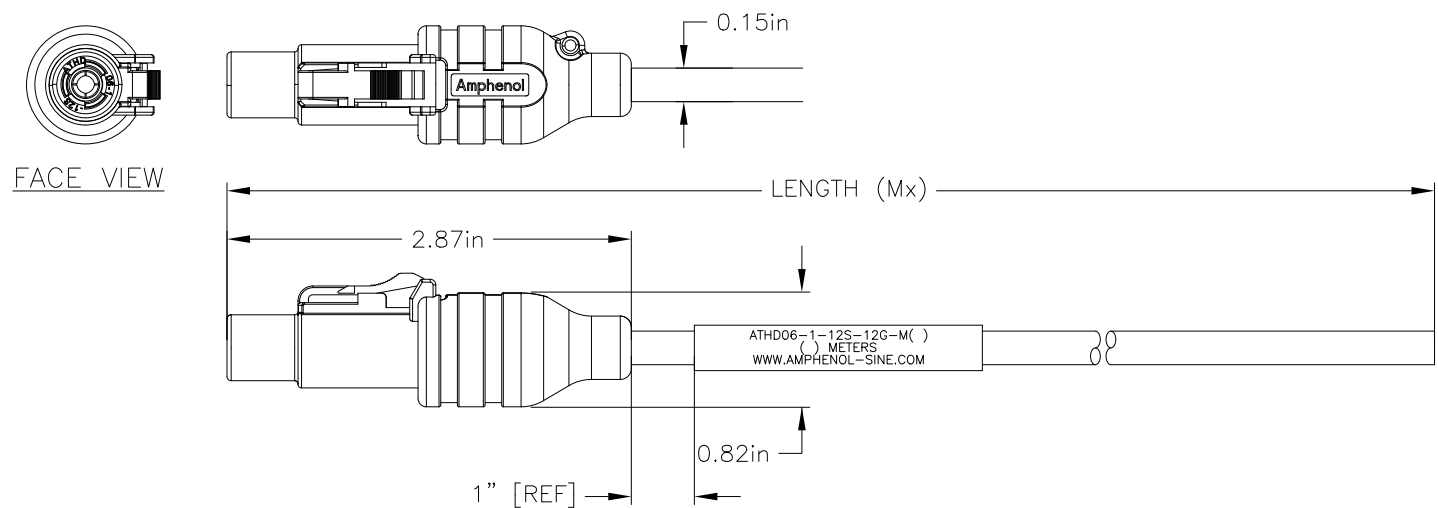
2

1

| LENGTH TABLE | |
|----------------------|-----------------|
| PART NUMBER | LENGTH (METERS) |
| ATHD06-1-12S-12G-M1 | 1 (3.28FT) |
| ATHD06-1-12S-12G-M2 | 2 (6.56FT) |
| ATHD06-1-12S-12G-M4 | 4 (13.12FT) |
| ATHD06-1-12S-12G-M5 | 5 (16.40FT) |
| ATHD06-1-12S-12G-M10 | 10 (32.80FT) |

| REVISIONS | | | | | | |
|-----------|------|-----|-------------|-----------|----|------|
| REV | ZONE | ECO | DESCRIPTION | DATE | BY | APPR |
| A1 | - | - | RELEASED | 3/31/2022 | RO | WS |

PLEASE CONTACT CSR FOR ADDITIONAL AVAILABLE OPTIONS



NOTES: UNLESS OTHERWISE SPECIFIED

- MATERIAL:
HOUSING: PA66
SEAL: SILICONE RUBBER
- MODIFICATIONS: OVERMOLDED (PA)
- CONNECTOR SPECIFICATIONS:
3.1 CURRENT RATING: 30AMPS
3.2 CABLE ASSEMBLY OPERATING TEMPERATURE: -40 TO +100C
3.3 CONTACT: COPPER ALLOY, NICKEL PLATED
3.4 DIELECTRIC WITHSTANDING VOLTAGE: LESS THAN 2 MILLIAMPS CURRENT LEAKAGE @ 1500 VOLTS AC.
3.5 INSULATION RESISTANCE: 1000 MEGAOHMS MIN @ 25C
3.6 MOISTURE RESISTANCE: IP68 MATED CONDITION (1M OF WATER FOR 24 HOURS).
3.7 MATING CYCLE DURABILITY: 100 CYCLES
3.8 RoHS COMPLIANT

- WIRE SPECIFICATIONS:
COMPONENTS: ONE 12AWG, PVC INSULATED CONDUCTOR
65x30 STRANDS BARE COPPER. UL1015
INSULATION: PVC, BLACK
600V AC/DC
- APPROVALS:
UL TYPE AWM, STYLE 1015.
CSA TYPE TEW.
OIL RESISTANT I
SUN RESISTANT I
FT1 FLAME RATING
ROHS COMPLIANT.
- MATING PART: ATHD04-1-12P RECEPTACLE.
MATING CABLE ASSEMBLY: ATHD04-1-12P-12G-Mx
- ALL DIMENSIONS ARE FOR REFERENCE USE ONLY.

| QUANTITY | PART NUMBER | DESCRIPTION | ITEM | | | | | | | | | | |
|---|-------------|---|----------|------------|------|-----------|-----------|-------------|-----------|---------------------|----|--------------|-----------|
| MATERIALS LIST | | | | | | | | | | | | | |
| UNLESS OTHERWISE SPECIFIED 1) All dimensions are in metric (mm). 2) Tolerances are as follows: 1 PL DEC ±0.30 2 PL DEC ±0.15 3 PL DEC ±0.08 3) Note reference = | | <table border="1"> <thead> <tr> <th>SIGNATURES</th> <th>DATE</th> </tr> </thead> <tbody> <tr> <td>DRAWN: RO</td> <td>2/25/2022</td> </tr> <tr> <td>CHECKED: WS</td> <td>3/22/2022</td> </tr> <tr> <td>ENGINEER: RO</td> <td></td> </tr> <tr> <td>APPROVAL: WS</td> <td>3/25/2022</td> </tr> </tbody> </table> | | SIGNATURES | DATE | DRAWN: RO | 2/25/2022 | CHECKED: WS | 3/22/2022 | ENGINEER: RO | | APPROVAL: WS | 3/25/2022 |
| SIGNATURES | DATE | | | | | | | | | | | | |
| DRAWN: RO | 2/25/2022 | | | | | | | | | | | | |
| CHECKED: WS | 3/22/2022 | | | | | | | | | | | | |
| ENGINEER: RO | | | | | | | | | | | | | |
| APPROVAL: WS | 3/25/2022 | | | | | | | | | | | | |
| MATERIAL SPECIFICATIONS: | | <p style="text-align: center;">Amphenol</p> <p style="text-align: center;">Sine Systems - www.amphenol-sine.com 44724 Morley Drive Clinton Township, MI 48036</p> | | | | | | | | | | | |
| PROCESS SPECIFICATIONS: | | <p>1 POS PLUG SZ 12 MOLDED, SOCKET SIZE 12, 12AWG, SINGLE-ENDED WIRE ASSY, AMPHENOL ATHD CONNECTOR ATHD06-1-12S, X METERS</p> | | | | | | | | | | | |
| NEXT ASSY: | | <table border="1"> <thead> <tr> <th>SIZE</th> <th>TYPE</th> <th>DWG NO.</th> <th>REVISION</th> </tr> </thead> <tbody> <tr> <td>C</td> <td>C-</td> <td>ATHD06-1-12S-12G-Mx</td> <td>A1</td> </tr> </tbody> </table> | | SIZE | TYPE | DWG NO. | REVISION | C | C- | ATHD06-1-12S-12G-Mx | A1 | | |
| SIZE | TYPE | DWG NO. | REVISION | | | | | | | | | | |
| C | C- | ATHD06-1-12S-12G-Mx | A1 | | | | | | | | | | |

4

3

2

1