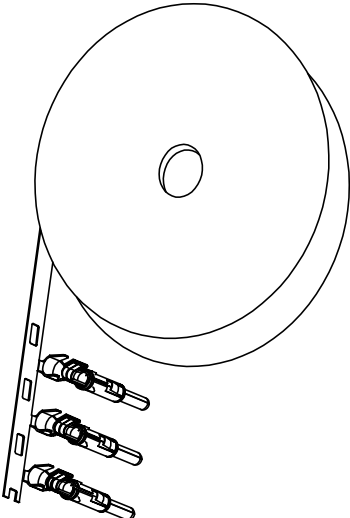
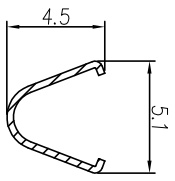


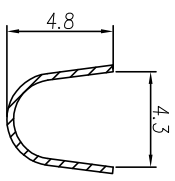
REVOLUTIONS				
REV	ECO	DESCRIPTION	DATE	BY
A1	-	RELEASED DRAWING	Sept-7-2016	Ben
A2	-	Updating Drawing	Oct-16-17	Tommy



CONTACT ORIENTATION ON ROLL



SECTION C-C

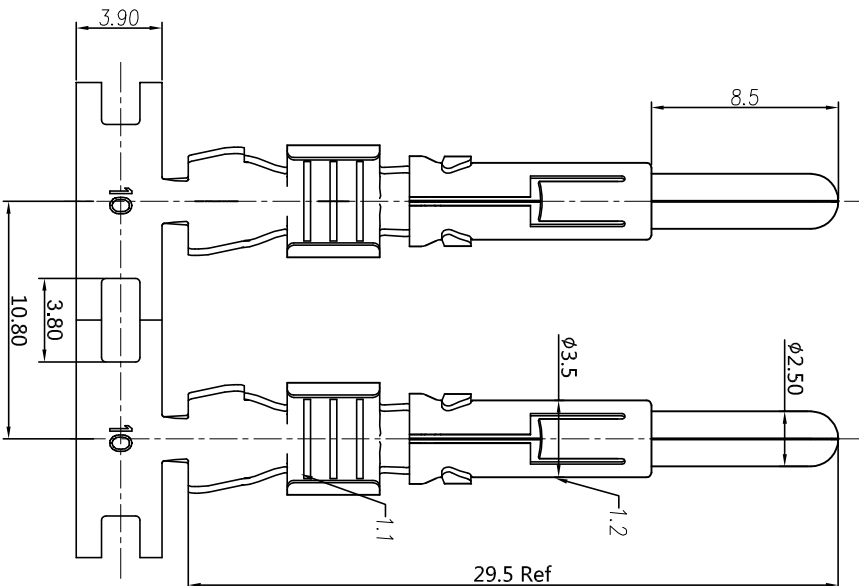


SECTION D-D

NOTES : (UNLESS OTHERWISE SPECIFIED)

1. MATERIAL :
 - 1.1. CONTACT BODY : COPPER ALLOY.
 - 1.2. OUTER SPRING : STAINLESS STEEL.
2. SPECIFICATIONS :
 - 2.1 CURRENT RATING : 23A MAX.
 - 2.2 TERMINATION TYPE : CRIMPING.
 - 2.3 WIRE RANGE : 4.0mm².
 - 2.4 WIRE INSULATION DIA(MAX) : ϕ 4.3mm.
3. ROHS COMPLIANT.
4. ALL DIMENSIONS ARE FOR REFERENCE USE ONLY.

P/N	CONTACT PLATING(MATING AREA)
SP12A1T-10	TIN PLATING OVER NICKEL.
SP12A1F-10	GOLD FLASH PLATING OVER NICKEL.
SP12A1G10-10	10 μ "GOLD PLATING OVER NICKEL.
SP12A1G15-10	15 μ "GOLD PLATING OVER NICKEL.
SP12A1G30-10	30 μ "GOLD PLATING OVER NICKEL.



QUANTITY	PART NUMBER	DESCRIPTION	ITEM
1	SP12A1XX-10	ECO-MATE PIN CONTACT	1

MATERIALS LIST											
UNLESS OTHERWISE SPECIFIED TYPICAL DIMENSIONS ARE IN MILLIMETERS. 2) Tolerances are as follows: 1 PL, DEC & 30 Fractions .1" 3 PL, DEC & 30 Angles .1"3) Note reference = Δ	<table border="1"> <tr> <th>SIGNATURES</th> <th>DATE</th> </tr> <tr> <td>DRAWN: Ben</td> <td>02/16/17</td> </tr> <tr> <td>CHECKED: Tod</td> <td>02/16/17</td> </tr> <tr> <td>ENGINEER: Tommy</td> <td>02/16/17</td> </tr> <tr> <td>APPROVAL: Tommy</td> <td>02/16/17</td> </tr> </table>	SIGNATURES	DATE	DRAWN: Ben	02/16/17	CHECKED: Tod	02/16/17	ENGINEER: Tommy	02/16/17	APPROVAL: Tommy	02/16/17
SIGNATURES	DATE										
DRAWN: Ben	02/16/17										
CHECKED: Tod	02/16/17										
ENGINEER: Tommy	02/16/17										
APPROVAL: Tommy	02/16/17										

PROCESS SPECIFICATIONS:	
MATERIAL SPECIFICATIONS:	CUSTOMER: Amphenol
TEST SPECIFICATIONS:	ECO-MATE PIN CONTACT
STAMPED: 4.0mm ² , 2.5mm CONTACT	SIZE: B
REVISION: A2	TYPE: C-
SCALE: NONE	DWG NO: SP12A1XX-10
MANUFACTURING VARIATIONS:	SHEET: 1 OF 1

TTITLE: ECO-MATE PIN CONTACT, STAMPED, 4.0mm², 2.5mm

DWG NO: SP12A1XX-10

REV: A2

SH: 1

OF: 1