

## PLS-031A-6PPI

## PLS-031A-6PPI

Power Level Sensor



### Electrical Characteristics @ 25 °C

Contact form		A
Contact rating max.	W / VA	50
Switching voltage max.	VDC	200
	VAC	250
Switching current max.	A	1.5
Carry current max.	A	2
Breakdown voltage min.	VDC	400
Total resistance max.	mΩ	150

### Environmental Characteristics

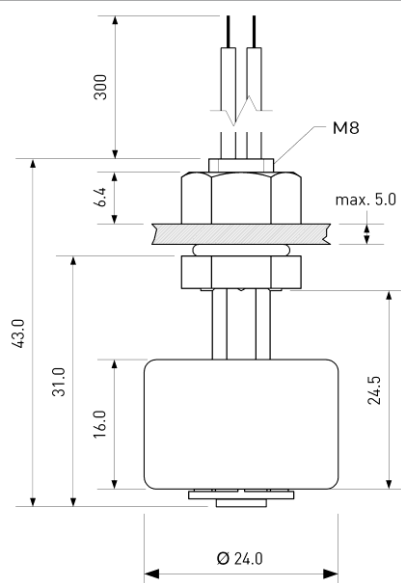
Operating temperature	°C	-20 to +80
Storage temperature	°C	-30 to +80

### Mechanical Characteristics

Density of float typ.*	g / cm <sup>3</sup>	0.7
Recommended minimum gravity of medium	g / cm <sup>3</sup>	Density of float + 20%

\* in delivery condition

### Dimensions in mm



### Features

- Polypropylene housing
- Mains voltage variant
- FDA test passed
- Covers a wide range of applications
- Customized types available

### Approvals



### Ordering Information

Packing Unit	10	pcs
Weight per piece	11.5	g
Weight per package	125	g

PLS-031A-6PPI



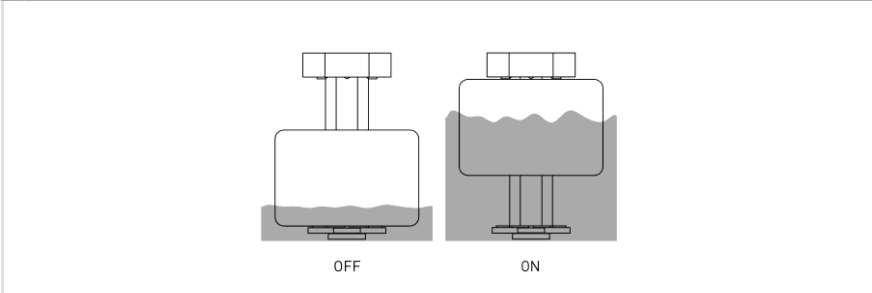
**PLS-031A-6PPI**

Power Level Sensor

**Material Information**

	Material	Colour
Housing	PP	white
Cable	UL 1007, AWG 22, 4 mm stripped and tinned	white
Nuts	PA66, M8, 1 pc preassembled	white
Float	PP foam	white
Potting	PU / Epoxy	black
Sealing ring	Silicone	white

**Operation View**

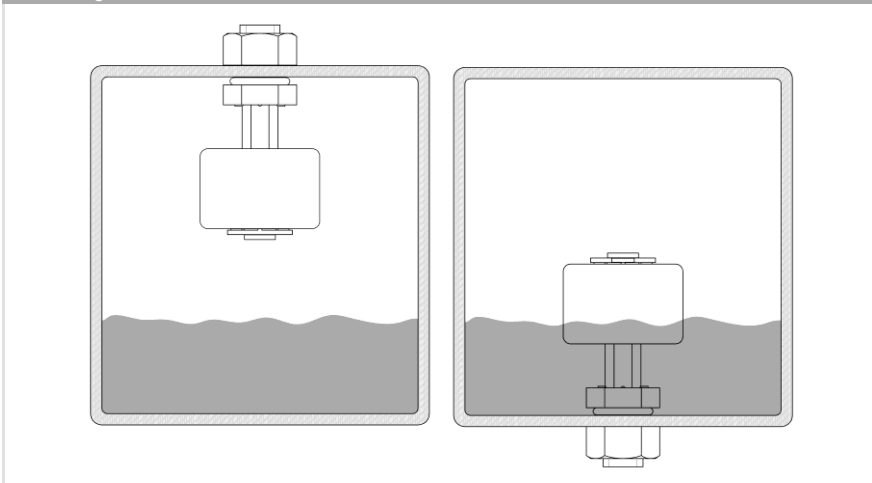


**Remarks**

When mounted near ferromagnetic parts switching distance of PLS-031A-6PPI may vary.

Electromagnetical influences and magnetic fields may change the switching behaviour of the Level Sensor.

**Mounting**



When mounted stem up, operating functions are reversed.