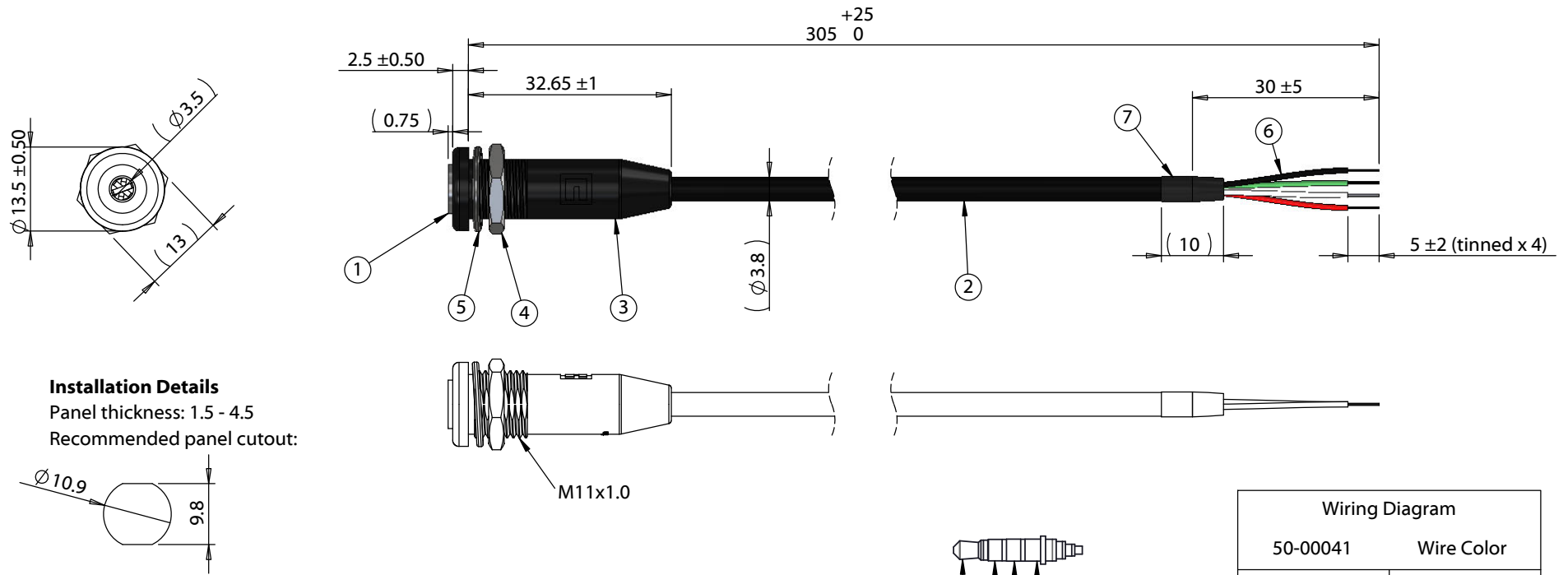


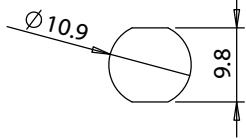
ITEM NO.	PART NUMBER	DESCRIPTION	QTY.	COMPONENT NOTES
1	50-00041	Connector, 4C audio jack, 3.5x7.8xL25.8 mm, brass, nickel plated, molding style	1	
2	30-00179	Wire, 3C BC, 28 AWG, 300V, 80C, 3.8 mm, foil + shield, PVC	1	
3	24-00342	Overmold, jack, 13.5x35.15 mm, panel mount	1	Nylon 94V-0, black
4	56-00000	Hardware, nut, hex, 13x2.5 mm, M11x1.0, brass, nickel plated	1	
5	56-00001	Hardware, washer, lock, 14x11.1x1.1 mm, SPCC, nickel plated	1	
6	Heat Shrink	Black, UL	1	covers shield
7	Heat Shrink	Black, UL	1	covers jacket end



Installation Details

Panel thickness: 1.5 - 4.5

Recommended panel cutout:



Notes:

Functionally equivalent components may be substituted

Wiring Diagram	
50-00041	Wire Color
A	Red
B	White
C	Green
D	Black

Revision:	Date:	Description:	Prepared:	Notes: RoHS compliant Function test: no open, no short circuit, no intermittent	<h1>TENSILITY</h1> <p>tel 1.541.323.3228 800 877.670.7118 fax 1.541.323.4202 web tensility.com</p>
A	6/3/2020	Initial release	Verified:		
			Dimensions are in millimeters. Tolerances: X: ± 0.5 mm X.X: ± 0.3 mm X.XX: ± 0.05 mm		
			Description:	Connector, 4C audio jack, 3.5x87.8x25.8 mm, panel mount, threaded, nut and washer	Size: A
					Part number: 10-03707
					Scale: 1:1
					Sheet 1 of 1

5

4

3

2

1