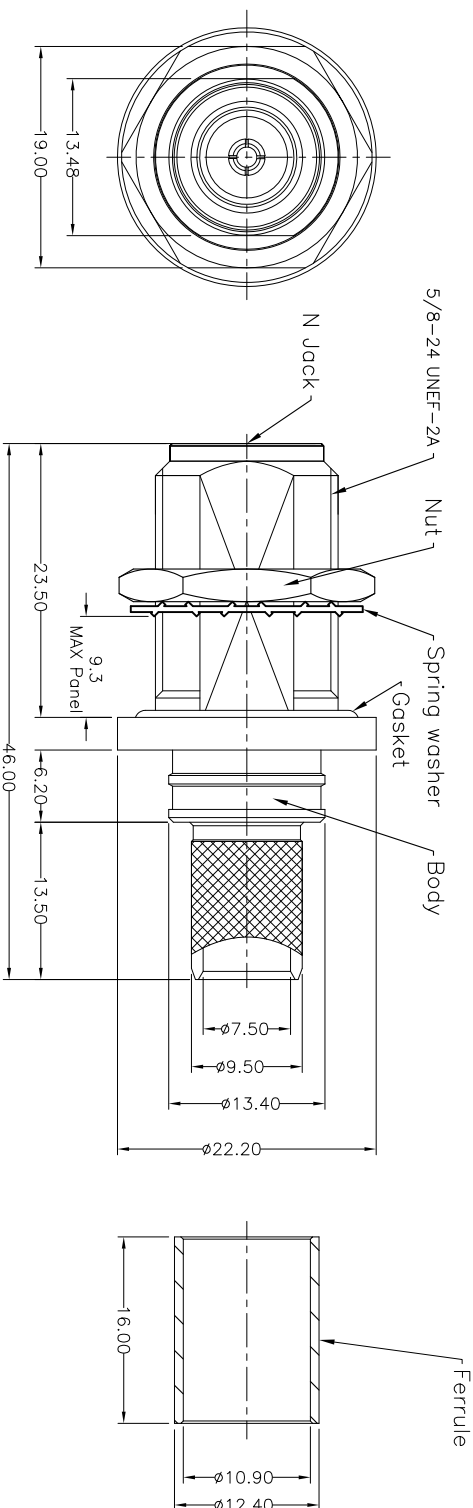


NOTICE OF PROPRIETARY RIGHTS. THIS DOCUMENT CONTAINS CONFIDENTIAL DATA, INCLUDING TRADE SECRETS, PROPRIETARY TO TIMES MICROWAVE SYSTEMS. DISCLOSURE OF THIS DATA IS EXPRESSLY CONDITIONED UPON YOUR ASSENT THAT ITS USE IS LIMITED TO USE WITHIN YOUR COMPANY ONLY, ANY OTHER USE IS STRICTLY PROHIBITED WITHOUT THE PRIOR WRITTEN CONSENT OF TIMES MICROWAVE SYSTEMS.

SWM/REVISION DESCRIPTION	DFTM	DATE	APPD	APPD
A RELEASED FOR PRODUCTION	Joshua	2016.12.09	TZ	2016.12.09



I. MATERIALS & FINISHES

Components	Materials	Finishes	Thk. (µ")
Body	Brass	Albraly	80
Center Cont.	QBz2	Gold	50
Ferrule	Brass	Albraly	80
Nut	Brass	Albraly	80
Insulator	PTFE	-	-
Gasket	Silicone	-	-

III. ENVIRONMENTAL PROPERTIES

Temperature Range: -40°C~+125°C
 Thermal Shock: MIL-STD 202G, Meth. 107, Cond B
 Vibration: MIL-STD 202G, Meth. 204, Cond B
 Shock: MIL-STD 202G, Meth. 213, Cond I
 Climatic Class: IEC 60068 55/155/56
 (2002/95/EC)RoHS: Compliant

V. TOOLING

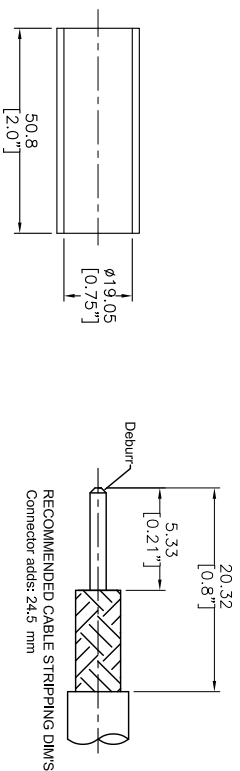
Shipping Tool: 3192-004/CST-400
 Crimping Tool: 3190-202/CT-400/300

II. ELECTRICAL PROPERTIES

Impedance (Ω):	50
Frequency Range (GHz):	DC to 6 GHz
Working Voltage (V):	2500
Insulation Resistance (MΩ):	≥10000
V/SWR:	≤1.30
Insertion Loss(dB, f(GHz):	-0.1X √f

IV. MECHANICAL PROPERTIES

Center Cont.: Finger Contact
 Outer Cont.: Crimp
 Coupling Nut Torque (N.m): 1.7
 Crimp-Connector Retention Force (N): 500
 Durability (cycles): 500



According to Standard: IEC 61169-16

MATL:	UNLESS OTHERWISE SPECIFIED			DFTM.	Joshua	
SCALE:	N/A	SWE	A4	DATE	2016.12.09	
USED ON:	O	ALL DIMENSIONS ARE IN mm. MACHINED SURFACES FINISH 1.6 RMS MAX. REMOVE ALL BURS. 0.15X45° MAX. BREAK. MACHINE CORNERS 0.15X45° D MAX. FILLET R. TOLERANCES ON DECIMALS ±0.3 XX ±0.15 ANGLES ±2° FRACTIONS ± N/A			CHKD	KG
DO NOT SCALE DRAWING	CODE	IDENT	68999	DATE	2016.12.09	
			DATE	APPD	TZ	
			Type N Ferrule (Jack) Straight Non-Solder Pin No Braid Trim Connector for LMR-400 Cable			
			EZ-400-NF-BH-X			
			MICROWAVE SYSTEMS An Amphenol Company			
			S H 1 OF 1 3190-6328			
			A			