

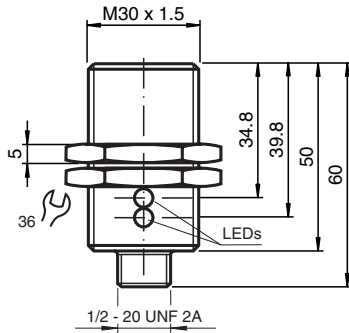
Inductive sensor

NBB15-30GM50-US-V12

- Basic series
- 15 mm flush
- 2-wire AC/DC



Dimensions



Technical Data

| General specifications | | | |
|-----------------------------|-------|--|---------------------------------|
| Switching function | | | Normally open (NO) |
| Output type | | | Two-wire |
| Rated operating distance | s_n | | 15 mm |
| Installation | | | flush |
| Output polarity | | | AC/DC |
| Reduction factor r_{Al} | | | 0.5 |
| Reduction factor r_{Cu} | | | 0.45 |
| Reduction factor r_{304} | | | 0.75 |
| Output type | | | 3-wire |
| Nominal ratings | | | |
| Operating voltage | U_B | | 20 ... 250 V AC/20 ... 300 V DC |
| Switching frequency | f | | 30 Hz |
| Hysteresis | H | | 3 ... 15 typ. 5 % |
| Reverse polarity protection | | | reverse polarity tolerant |
| Short-circuit protection | | | yes |
| Voltage drop | U_d | | ≤ 8 V |
| Operating current | I_L | | 4 ... 500 mA AC/DC |
| Off-state current | I_r | | ≤ 0.8 mA |

Release date: 2022-06-22 Date of issue: 2022-06-22 Filename: 198090_eng.pdf

Refer to "General Notes Relating to Pepperl+Fuchs Product Information".

Pepperl+Fuchs Group
www.pepperl-fuchs.com

USA: +1 330 486 0001
fa-info@us.pepperl-fuchs.com

Germany: +49 621 776 1111
fa-info@de.pepperl-fuchs.com

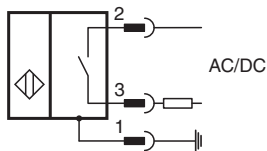
Singapore: +65 6779 9091
fa-info@sg.pepperl-fuchs.com

PF PEPPERL+FUCHS

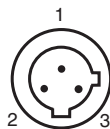
Technical Data

| | |
|---|---|
| Operating voltage indicator | LED, green |
| Switching state indicator | LED, yellow |
| Functional safety related parameters | |
| MTTF _d | 1036 a |
| Mission Time (T _M) | 20 a |
| Diagnostic Coverage (DC) | 0 % |
| Compliance with standards and directives | |
| Standard conformity | |
| Standards | EN 60947-5-2:2007 EN 60947-5-2/A1:2012 IEC 60947-5-2:2007 IEC 60947-5-2 AMD 1:2012 |
| Approvals and certificates | |
| UL approval | cULus Listed, General Purpose |
| CSA approval | cCSAus Listed, General Purpose |
| CCC approval | Certified by China Compulsory Certification (CCC) |
| Ambient conditions | |
| Ambient temperature | -25 ... 70 °C (-13 ... 158 °F) |
| Storage temperature | -40 ... 85 °C (-40 ... 185 °F) |
| Mechanical specifications | |
| Connection type | Connector plug 1/2"-20 UN , 3-pin |
| Housing material | brass, nickel-plated |
| Sensing face | PBT |
| Degree of protection | IP67 |

Connection



Connection Assignment





Wire colors

- 1 | GN (green)
- 2 | RD/BK (red/black)
- 3 | RD/WH (red/white)

Release date: 2022-06-22 Date of issue: 2022-06-22 Filename: 198090_eng.pdf

Accessories

| | | |
|---|-----------------------|---|
|  | BF 30 | Mounting flange, 30 mm |
|  | V12-G-YE2M-PVC | Connecting cable, 1/2" - 20 UNF, 3-pin, PVC cable |