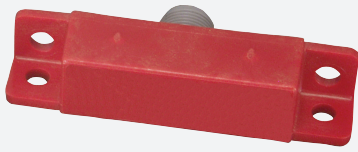


# Magnetic field sensor

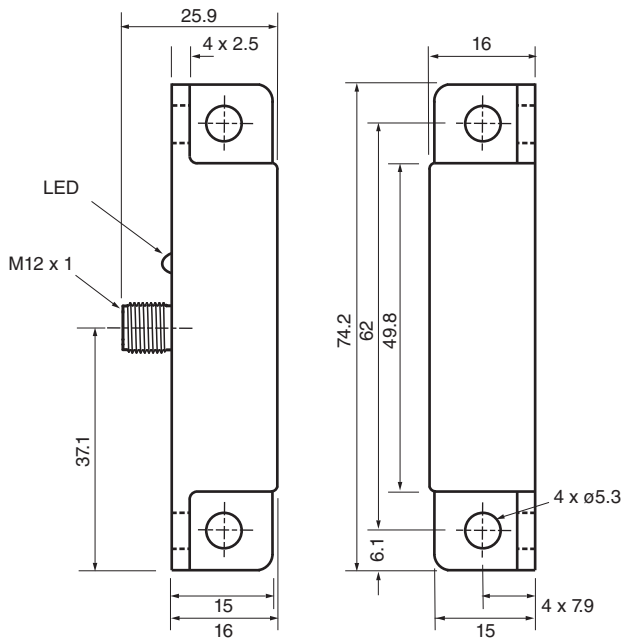
## 40FY26-33



- Hall Effect Sensor
- Door Interrupt Sensor
- Tamper resistant magnetic actuator



### Dimensions



### Technical Data

#### General specifications

Switching function		Normally open (NO)
Output type		PNP
Rated operating distance	$s_n$	Use either 41FY1 - 6.4 - 15.2 mm or 41FY2 - 7.6 - 19 mm
Installation		non-flush
Output polarity		DC
Output type		3-wire

#### Nominal ratings

Operating voltage	$U_B$	10 ... 30 V DC
Hysteresis	H	5 ... 25 %
Short-circuit protection		yes

Release date: 2022-06-30 Date of issue: 2022-06-30 Filename: 450031\_eng.pdf

Refer to "General Notes Relating to Pepperl+Fuchs Product Information".

Pepperl+Fuchs Group  
www.pepperl-fuchs.com

USA: +1 330 486 0001  
fa-info@us.pepperl-fuchs.com

Germany: +49 621 776 1111  
fa-info@de.pepperl-fuchs.com

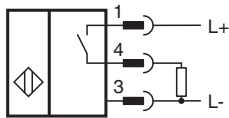
Singapore: +65 6779 9091  
fa-info@sg.pepperl-fuchs.com

**PF** PEPPERL+FUCHS

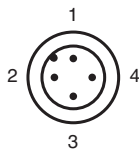
## Technical Data

Voltage drop	$U_d$	$\leq 2.5$ V DC
Repeat accuracy		+/- 3 %
Operating current	$I_L$	$\leq 200$ mA
Off-state current	$I_r$	$\leq 30$ mA
No-load supply current	$I_0$	$\leq 40$ mA
<b>Indicators/operating means</b>		
LED indication		switching state
<b>Electrical specifications</b>		
Electrical rating		10 - 30 V DC
<b>Compliance with standards and directives</b>		
Standard conformity		
Standards		EN 60947-5-2:2007 IEC 60947-5-2:2007
<b>Approvals and certificates</b>		
UL approval		cULus Listed, General Purpose
CSA approval		cCSAus Listed, General Purpose
<b>Ambient conditions</b>		
Ambient temperature		-30 ... 85 °C (-22 ... 185 °F)
<b>Mechanical specifications</b>		
Connection type		Connector plug M12 x 1 , 4-pin
Housing material		Polycarbonate
Sensing face		Polycarbonate
Degree of protection		IP67

## Connection





## Connection Assignment



Wire colors in accordance with EN 60947-5-2

1	BN	(brown)
2	WH	(white)
3	BU	(blue)
4	BK	(black)

**Accessories**

	<b>41FY1</b>	Magnetic Actuation
	<b>41FY2</b>	Magnetic Actuation
	<b>V1-G-2M-PVC</b>	Female cordset single-ended M12 straight A-coded, 4-pin, PVC cable grey