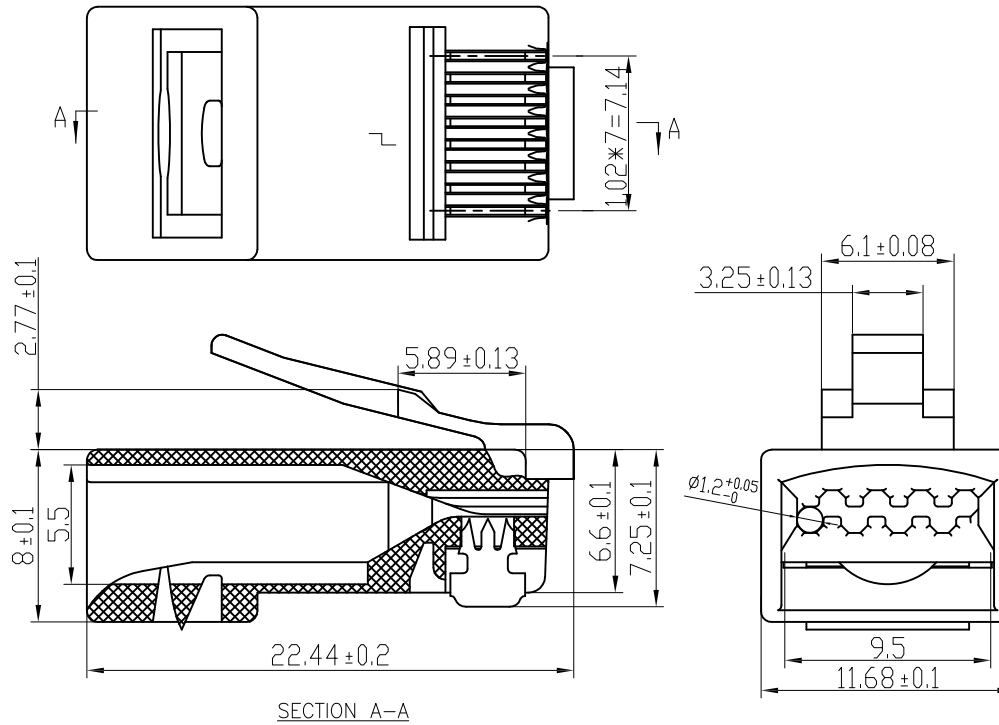


APPROVED: _____
 DATE: _____ TITLE: _____

Rev	AWO #	Description	Date	Appr
-		RELEASED	9/25/20	
A		UPDATED SPEC.	08/01/21	TW/MP



SECTION A-A

SPECIFICATIONS:

Material:
 Insulator: PC, rated UL 94V-0
 Insulator color: Clear
 Contacts: Copper Alloy
 Plating:
 Gold over Nickel underplate on contact area
 Electrical:
 Voltage rating: 150 VAC RMS
 Current rating: 1.5 Amp
 Contact resistance: 20 mohms max
 Insulation resistance: 1,000 Mohms min @ 500 VDC
 Dielectric withstanding voltage:
 Contact to Contact: 1,000 VDC or AC Peak for 1 minute
 Other Contacts Connected Together: 1,500 V DC/AC Peak all Contacts
 Connected Together to Shield (Housing/Mounting Plate) if Present @0.5mA
 50/60HZ For 1 Minute

Mechanical:
 Wire range: 21~23AWG Solid Wire with Max. insulation dia. of 1.09~1.19mm. Δ
 Temperature Rating:
 Operating temperature: -25°C to +55°C
 Environmental:
 Lead free, RoHS compliant



"X"	PLATING
X	Gold flash
U	15 μ in Gold
W	30 μ in Gold
G	50 μ in Gold

UNLESS OTHERWISE SPECIFIED
 ALL DIMENSIONS ARE MILLIMETERS
 TOLERANCES: EXCEPT AS NOTED
 ANGLE $\pm 1^\circ$

MM	ANGLE
0~15 ± 0.15	
15~30 ± 0.20	
30~ ± 0.25	

ADAM TECH INTERCONNECTS
 909 Rahway Avenue,
 Union, NJ 07083
 Phone: 908-687-5000
 Fax: 908-687-5710

APPROVALS		DATE
DRAWN	LH	9/25/20
CHECKED	AY1	9/25/20
APPROVED		

TITLE			
MODULAR TELEPHONE PLUG, 8P8C SOLID WIRE CONTACT, CATE 6			
SIZE	PART NO.	REV.	
X	MTPR-88-X-S-C6-A	A	
REF:	S00005C	SCALE:	NTS
		SHEET 1 OF 1	