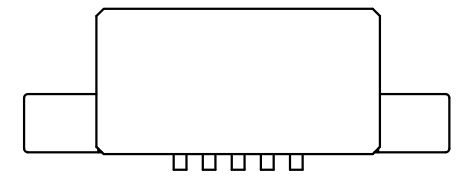
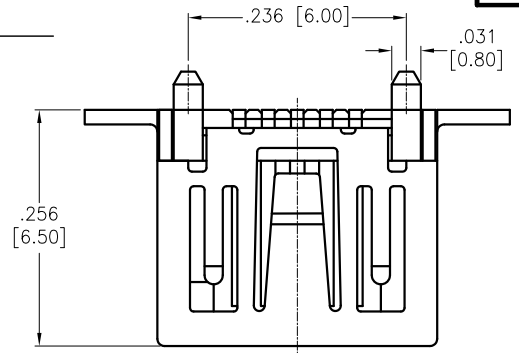
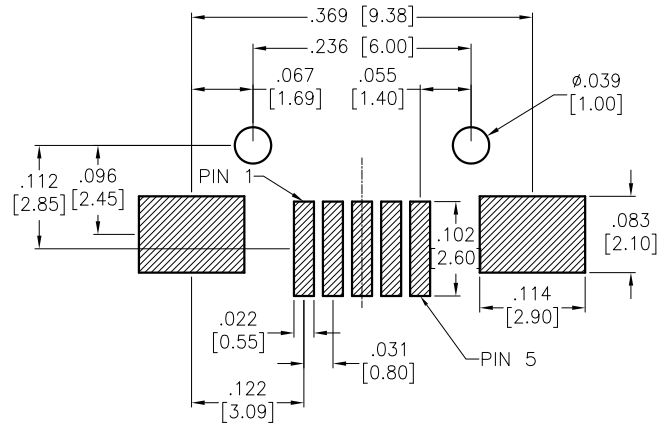


APPROVED: _____
 DATE: _____ TITLE: _____

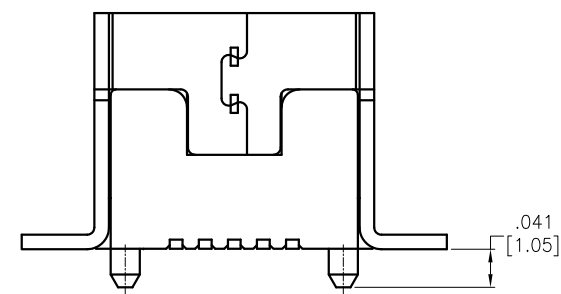
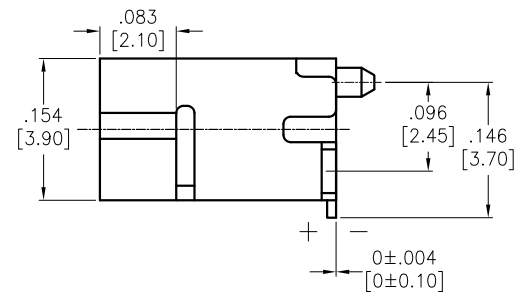
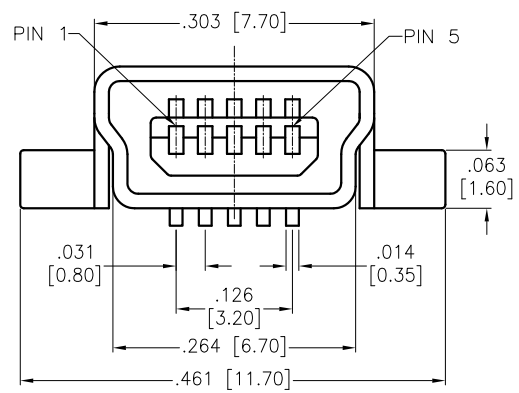
Rev	AWO #	Description	Date	Apr
-		RELEASED	2/27/18	



WITH CAP



RECOMMENDED P.C.B LAYOUT



SPECIFICATIONS:

Material:
 Insulator: Hi-temp thermoplastic, rated UL 94V-0
 Insulator color: Black
 Contacts: Phosphor Bronze
 Shell: Brass, Nickel Plated
Plating:
 10u" Gold over Nickel underplate on contact area,
 Tin over Copper underplate on solder tails
Electrical:
 Current Rating: 2A
 Contact resistance: 50 Mohms max
 Insulation resistance: 1,000 Mohms min @ 500 VDC
 Dielectric withstanding voltage: 500V AC for 1 minute
 Temperature Rating:
 Operating temperature: -25°C to +85°C
 Environmental:
 Lead free, RoHS compliant.



PACKAGED ON TAPE & REEL

UNLESS OTHERWISE SPECIFIED ALL DIMENSIONS ARE INCHES [MM] TOLERANCES: EXCEPT AS NOTED			
INCHES		HOLES	
.X	± .10	Ø.X	± .10
.XX	± .020	Ø.XX	± .015
.XXX	± .015	Ø.XXX	± .010
APPROVALS		DATE	
DRAWN	AY	2/27/18	
CHECKED	YC	2/27/18	
APPROVED			

ADAM TECH INTERCONNECTS 909 Rahway Avenue,
 Union, NJ 07083
 Phone: 908-687-5000
 Fax: 908-687-5710

TITLE: **MINI USB, TYPE B, 5PIN, VERTICAL, TRUE SMT**

SIZE	PART NO.	REV.
X	MUSB-B5-S-VT-TSMT-CS1-10-PP-T/R	-

REF: S00275T SCALE: NTS SHEET 1 OF 1

6

5

4

3

2

1

6

5

4

3

2

1