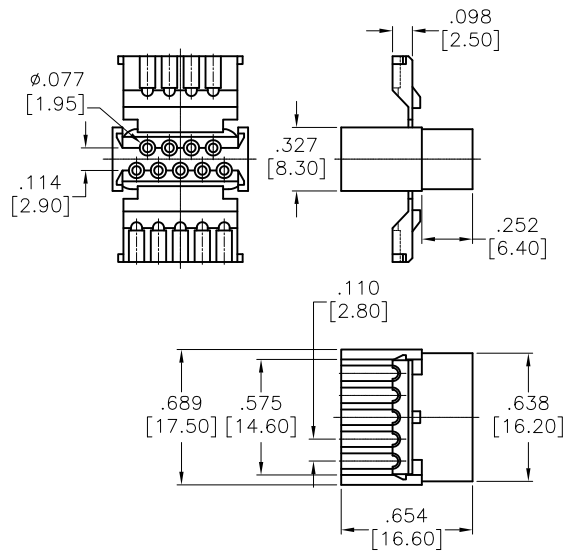
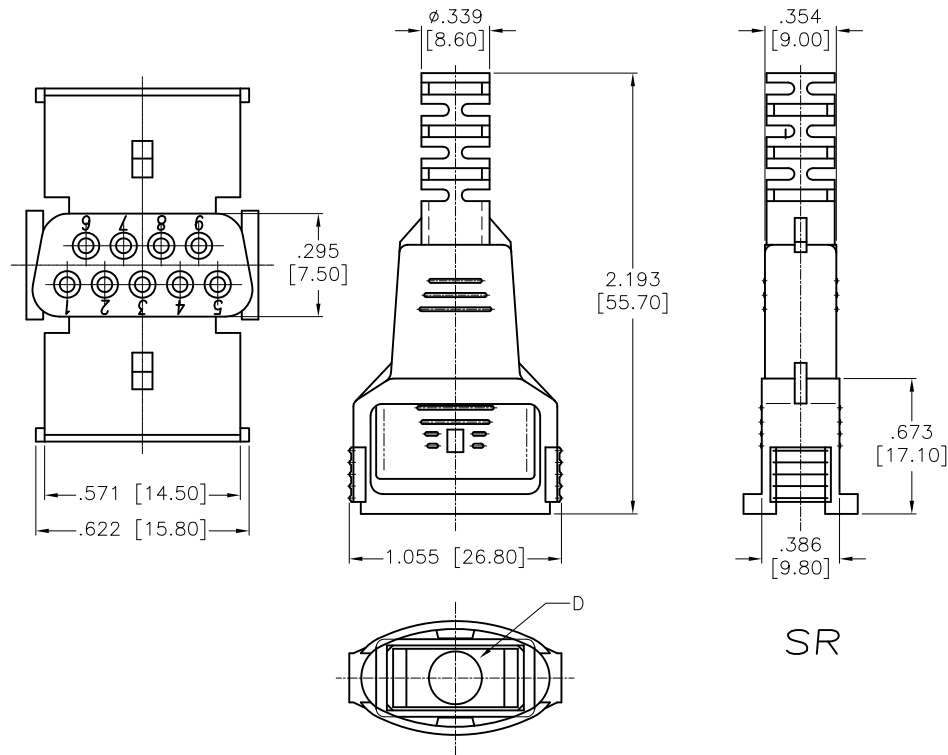


APPROVED: _____
 DATE: _____ TITLE: _____

Rev	AWO #	Description	Date	Appr
-		RELEASED	12/22/18	



HOUSING



SR

Mating with: DCS-01A-R

DE09-SD-LC-KIT-B	.217 [5.50]
DE09-SD-LC-KIT-A	.268 [6.80]
ADAM P/N	DIM. D

SPECIFICATIONS:
 Material:
 Insulator: Nylon66, rated UL 94V-0
 Insulator color: Black
 Environmental:
 Lead free, RoHS compliant



UNLESS OTHERWISE SPECIFIED ALL DIMENSIONS ARE INCHES [MM] TOLERANCES: EXCEPT AS NOTED INCHES HOLES .X ± .10 Ø.X ± .10 .XX ± .020 Ø.XX ± .015 .XXX ± .015 Ø.XXX ± .010		ADAM TECH INTERCONNECTS		909 Rahway Avenue, Union, NJ 07083 Phone: 908-687-5000 Fax: 908-687-5710	
APPROVALS		DATE		TITLE	
DRAWN	AY		12/22/18	D-SUB SOCKET 9P, SOLDER TYPE, W/LATCH STRAIN RELIEF KIT	
CHECKED	TW		12/22/18	SIZE	PART NO.
APPROVED				X	DE09-SD-LC-KIT-X
REF: S00298T		SCALE: NTS		REV. -	
				SHEET 1 OF 1	

6 5 4 3 2 1

6 5 4 3 2 1

D

D

C

C

B

B

A

A