

6

5

4

3

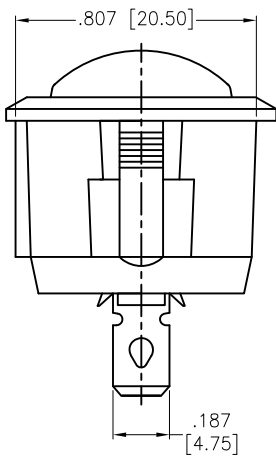
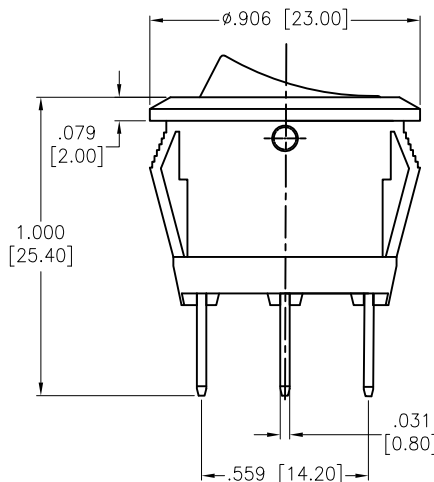
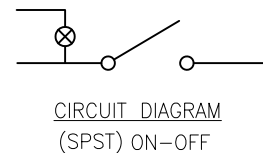
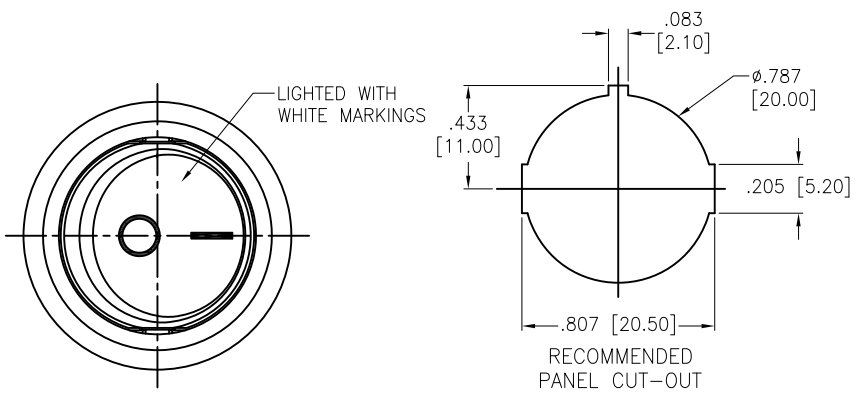
2

1

APPROVED: _____

DATE: _____ TITLE: _____

Rev	AWO #	Description	Date	Appr
-		RELEASED	11/18/21	



SW-R2-1A-F-LXXX-5

	Lighted Actuator	Actuator Markings	LED Voltage	
W	Lighted White	1	1	3V
R	Lighted Red	2	2	6V
G	Lighted Green	3	3	12V
Y	Lighted Yellow (Amber)	4	4	24V
B	Lighted Blue	5	5	48V
O	Lighted Orange		6	110V
			7	220V

SPECIFICATIONS:

Material:

Body: Nylon 66, Color Black, Rated UL 94V-0

Terminal: Brass, Silver plated

Button: Nylon 66, Lighted color (See Chart). White color markings

Electrical:

The rated load: 250V AC, 6A

125V AC, 10A

Contact resistance: 50 mohms max

Insulation resistance: 100 Mohms min

Dielectric withstanding voltage: 1500 VAC/5S min

Mechanical:

Electrical life: 10000 Cycles min

Temperature Rating:

Operating temperature: -25°C to +85°C

Environmental:

Lead free, RoHS compliant



Replace "x" in P/N with the corresponding switch color and marking

UNLESS OTHERWISE SPECIFIED ALL DIMENSIONS ARE INCHES [MM]. TOLERANCES: EXCEPT AS NOTED			<p>909 Rahway Avenue, Union, NJ 07083 Phone: 908-687-5000 Fax: 908-687-5710</p>											
<table border="1"> <tr> <th>INCHES</th> <th colspan="2">HOLES</th> </tr> <tr> <td>.x ± .10</td> <td>∅x ± .10</td> <td></td> </tr> <tr> <td>.xx ± .020</td> <td>∅xx ± .015</td> <td></td> </tr> <tr> <td>.xxx ± .015</td> <td>∅xxx ± .010</td> <td></td> </tr> </table>					INCHES	HOLES		.x ± .10	∅x ± .10		.xx ± .020	∅xx ± .015		.xxx ± .015
INCHES	HOLES													
.x ± .10	∅x ± .10													
.xx ± .020	∅xx ± .015													
.xxx ± .015	∅xxx ± .010													
DRAWN	JJ	11/18/21	TITLE SWITCH, MINIATURE ROCKER											
CHECKED	RC	11/18/21	SPST, ON-OFF, QC .187 [4.75MM], LIGHTED											
APPROVED			SIZE X	PART NO. SW-R2-1A-F-LXXX-5										
THIS DRAWING CONTAINS INFORMATION THAT IS PROPRIETARY AND SHOULD NOT BE USED WITHOUT PRIOR WRITTEN PERMISSION FROM ADAM TECH			REV. X											
REF: S00206C	SCALE: NTS	SHEET 1 OF 1												

6

5

4

3

2

1