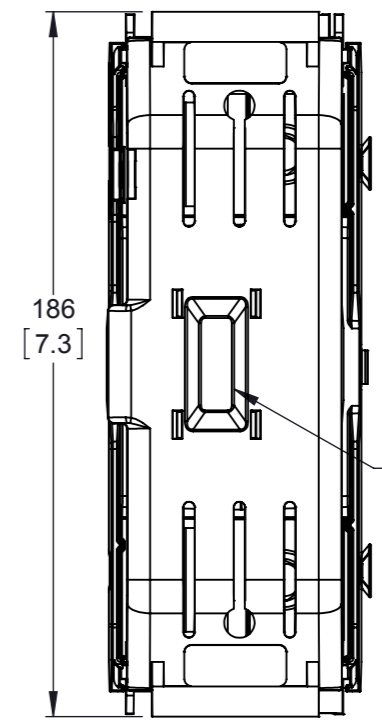
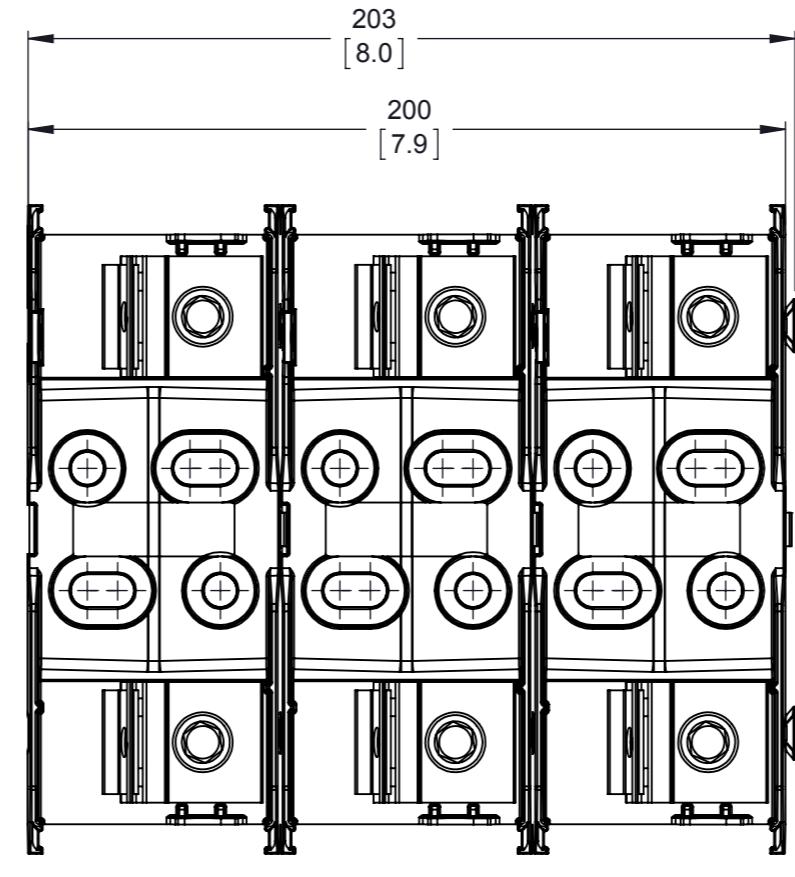
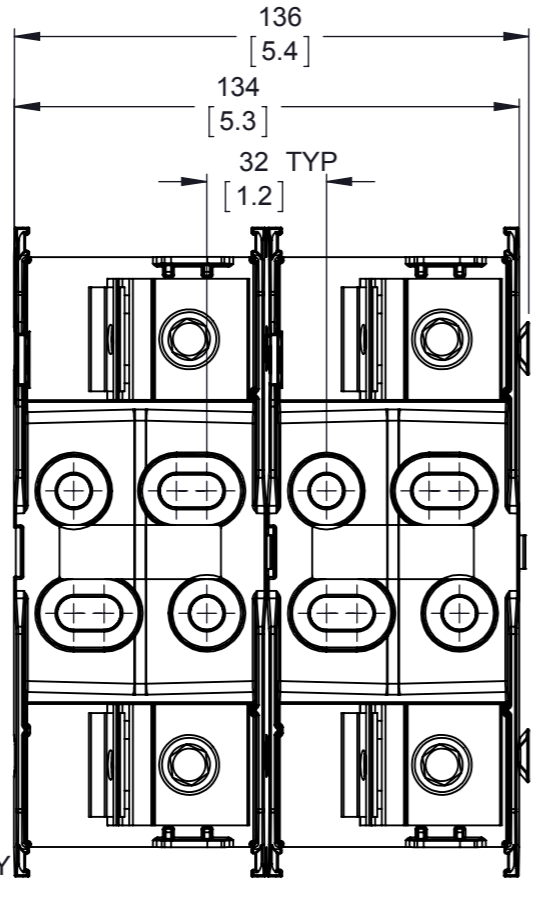
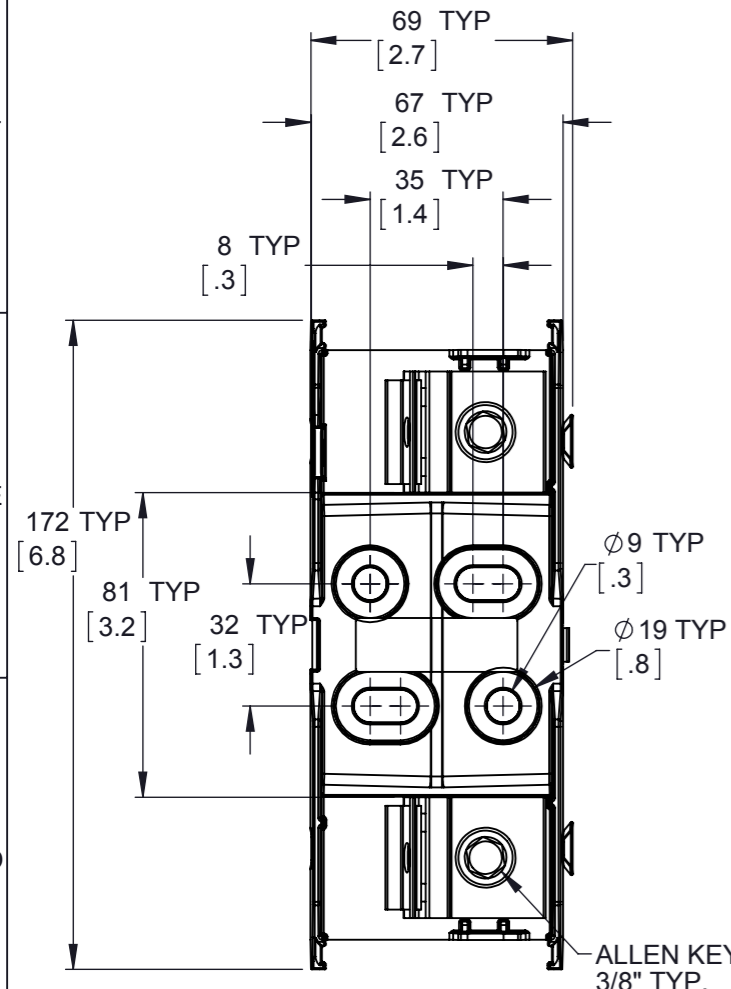
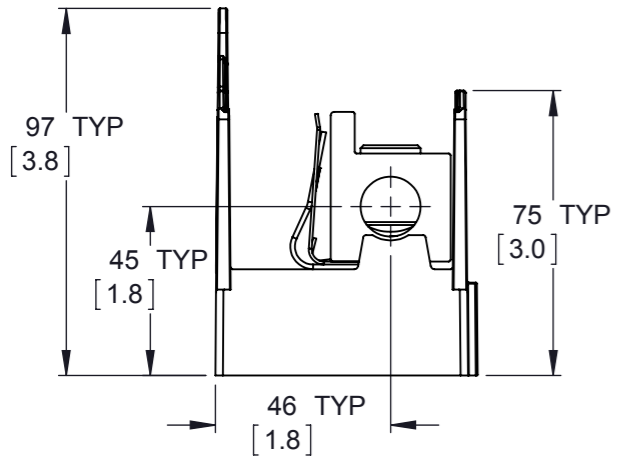


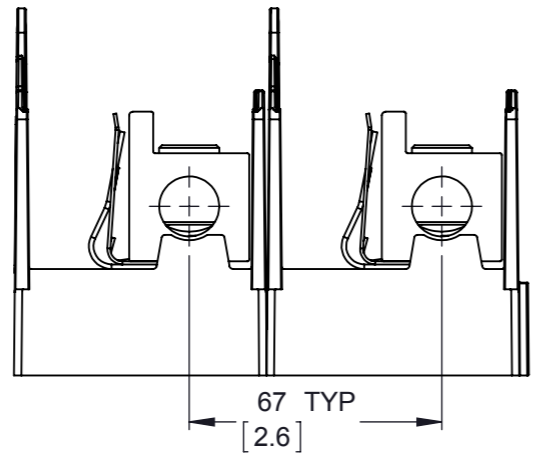
REVISIONS					
REV	ZONE	DESCRIPTION	DATE	ECN	BY
A		INITIAL RELEASE	1/8/14		TCB



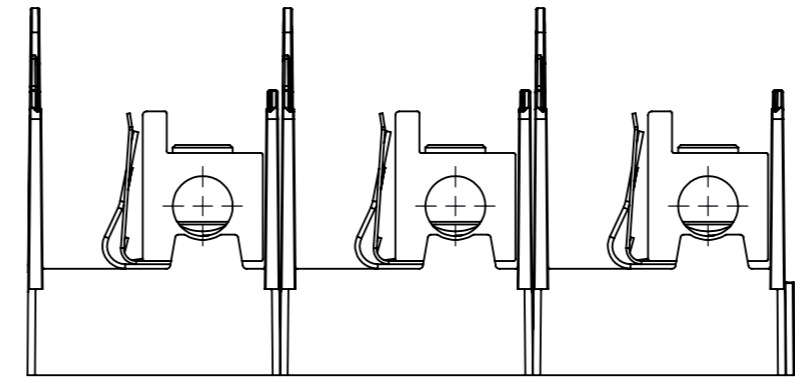
CVR-J-60200-M (COVER NON-INDICATING)
 CVRI-J-60200-M (COVER WITH INDICATION)



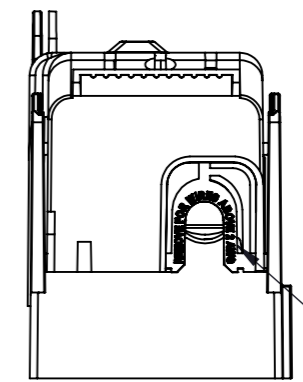
JM60200-1CR



JM60200-2CR



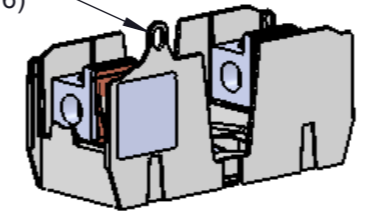
JM60200-3CR



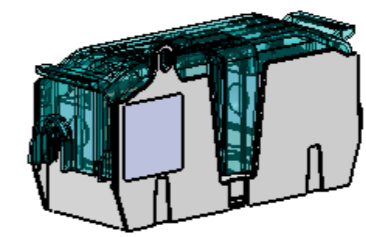
JM60200-1CR (SHOWN WITH COVER)

REMOVE FOR WIRES ABOVE 2 AWG

LOCKOUT-TAGOUT FEATURE (SEE NOTE 6)



3D VIEW FOR JM60200-1CR SCALE = NONE



3D VIEW FOR JM60200-1CR WITH COVER SCALE = NONE

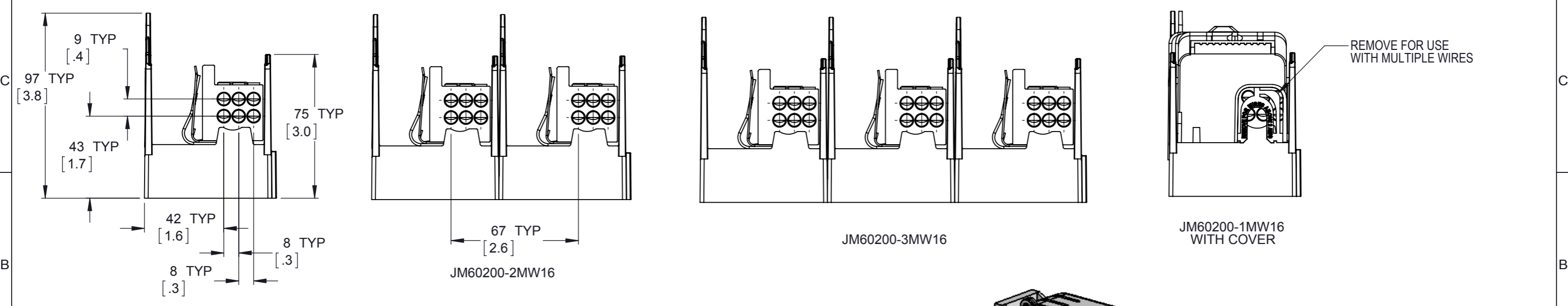
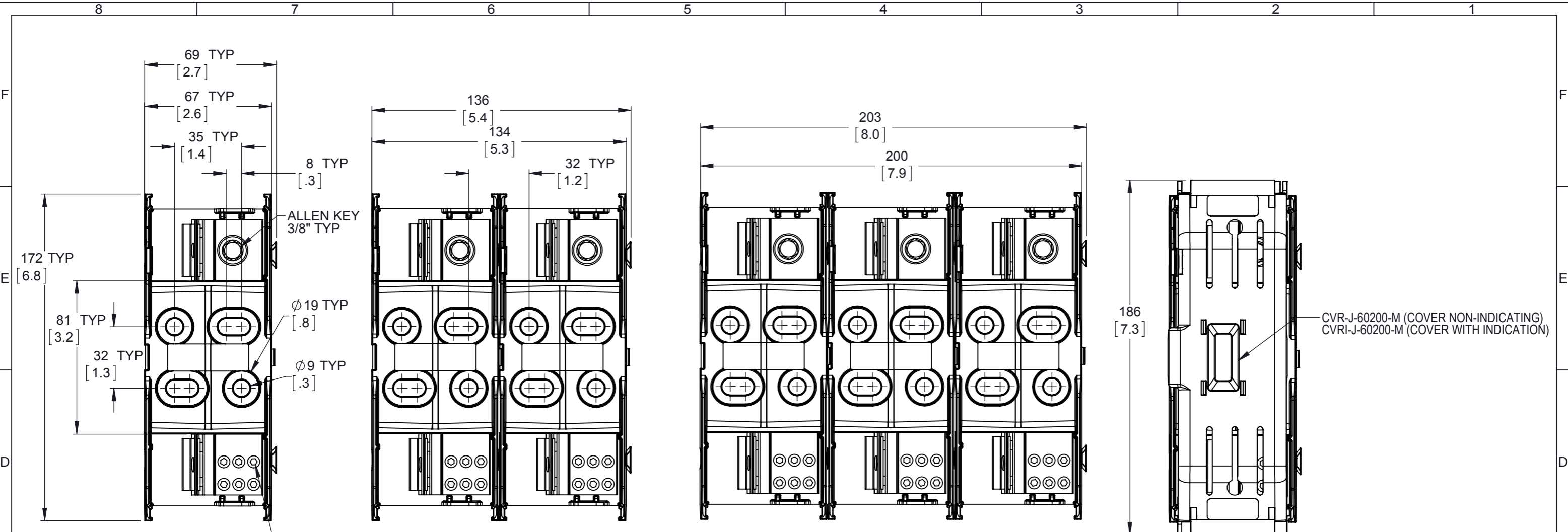
NOTES:

- VOLTAGE RATING: 600V
- AMP RATING: 200A
- WITHSTAND RATING: 200kA
- WIRE TYPE: Cu/Al 75°C / 90°C ONLY
- WIRE RANGE: (1) 250MCM - 6 AWG Cu/Al
 (1) 2 - 6 AWG Cu/Al
 (2) 2 - 6 AWG Cu
- USE 4mm DIA. CABLE LOCK OR 1/4" DIA. HASP PADLOCK.

CUSTOMER PRINT

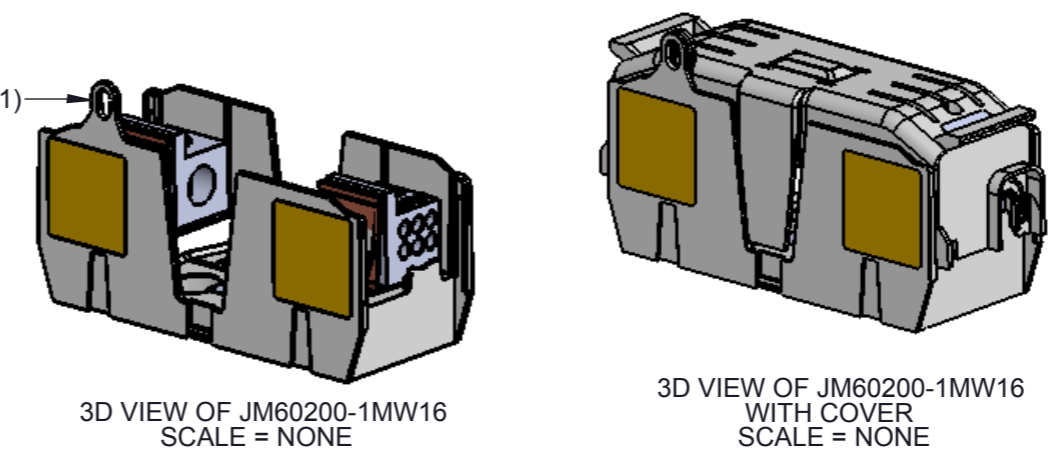
MODEL SOURCE DATA JM60200-XCR		MODEL VERSION ---		GENERAL DRAWING PRACTICES IN ACCORDANCE WITH ASME - Y14.100-2004 DIMENSIONS AND TOLERANCES IN ACCORDANCE WITH ASME - Y14.5M-1994		APPROVALS PRODUCT MANAGER: --- ENGINEER: --- QUALITY: --- MATERIAL: ---		DATE ---/---/---	
THIS DRAWING IS AN UNCONTROLLED COPY IF PRINTED OR SENT ELECTRONICALLY. DO NOT SCALE DRAWING				UNLESS OTHERWISE SPECIFIED DIMENSIONS ARE IN MILLIMETERS TOLERANCES TO BE ONE PLACE X.X = ±0.3mm TWO PLACE X.X X = ±0.13mm ALL ANGLES X.X = ±1°				TITLE 600V / 200A CLASS J FUSE BLOCK	
EATON CORPORATION - CONFIDENTIAL AND PROPRIETARY NOTICE TO PERSONS RECEIVING THIS DOCUMENT AND/OR TECHNICAL INFORMATION THIS DOCUMENT, INCLUDING THE DRAWING AND INFORMATION CONTAINED THEREON IS CONFIDENTIAL AND IS THE EXCLUSIVE PROPERTY OF EATON CORPORATION AND IS MERELY ON LOAN AND SUBJECT TO RECALL BY EATON AT ANY TIME. BY TAKING POSSESSION OF THE DOCUMENT, THE RECIPIENT ACKNOWLEDGES AND AGREES THAT THIS DOCUMENT CANNOT BE USED IN ANY MANNER ADVERSE TO THE INTERESTS OF EATON AND THAT NO PORTION OF THIS DOCUMENT MAY BE COPIED OR OTHERWISE REPRODUCED WITHOUT THE PRIOR WRITTEN CONSENT OF EATON. IN THE CASE OF CONFLICTING CONTRACTUAL PROVISIONS, THIS NOTICE SHALL GOVERN THE STATUS OF THIS DOCUMENT.				SPECIAL CHARACTERISTIC $\diamond (0)$ SIGNIFICANT CHARACTERISTIC $\triangle (0)$		FINISH N/A		SIZE DWG NO. A3 JM60200-SERIES-CP	
© 2012 Eaton Corporation. All Rights Reserved.				THIRD ANGLE PROJECTION		SCALE: 1:2		SHEET 1 OF 3	





- NOTES:
- 6) VOLTAGE RATING: 600V
 - 7) AMP RATING: 200A
 - 8) WITHSTAND RATING: 200kA
 - 9) WIRE TYPE: Cu / Al 75°C ONLY
 - 10) WIRE RANGE: LINESIDE (1) 250KCMIL - 6 AWG Cu/Al
LOADSIDE (6) 4 AWG - 14 AWG Cu
(6) 4 AWG - 8 AWG Al
(12) 10 AWG - 14 AWG Cu
 - 11) USE 4mm DIA. CABLE LOCK OR 1/4" DIA. HASP PADLOCK.
 - 13) SEE PAGE 1 FOR LINESIDE DIMENSIONS.

LOCKOUT-TAGOUT FEATURE (SEE NOTE 11)



CUSTOMER PRINT

Bussmann
by **EATON**

TITLE: **600V / 200A CLASS J FUSE BLOCK**

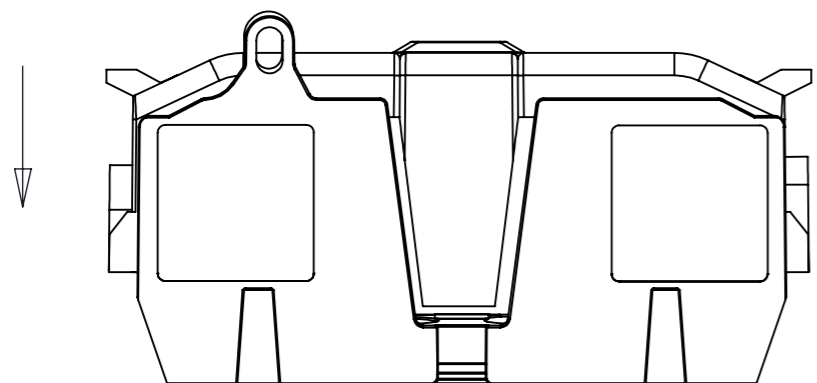
SIZE: **A3** DWG NO.: **JM60200-SERIES-CP** REV: **A**

SCALE: 1:2 SHEET 2 OF 3

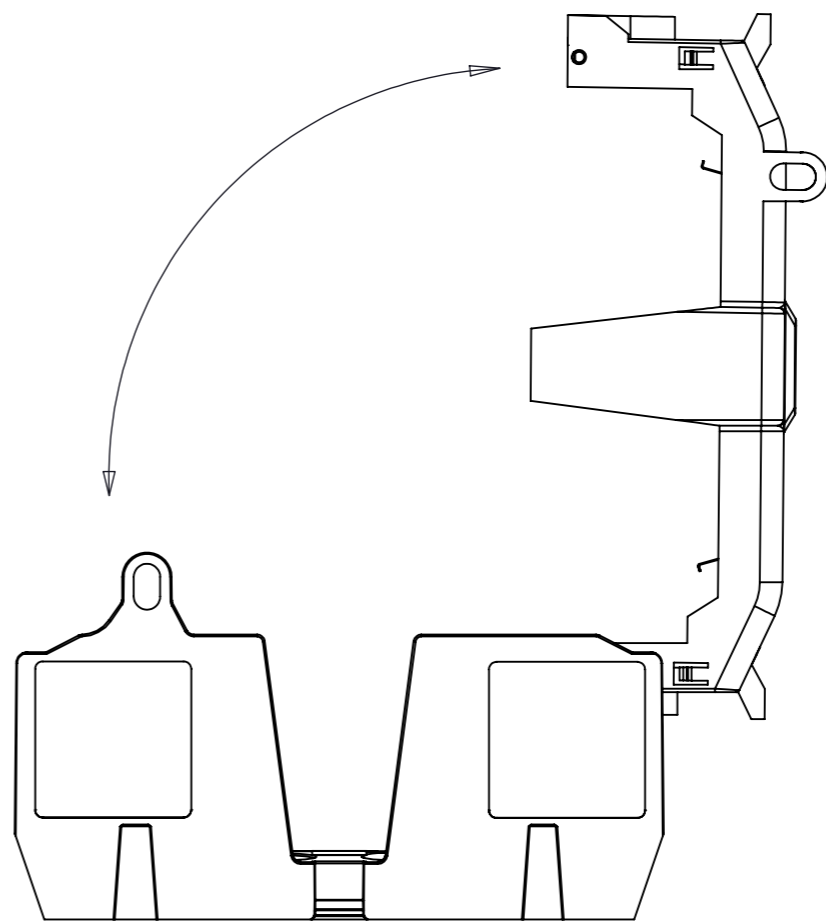
S:\A3\BUSE_VME_GENR_REV_A

8 7 6 5 4 3 2 1

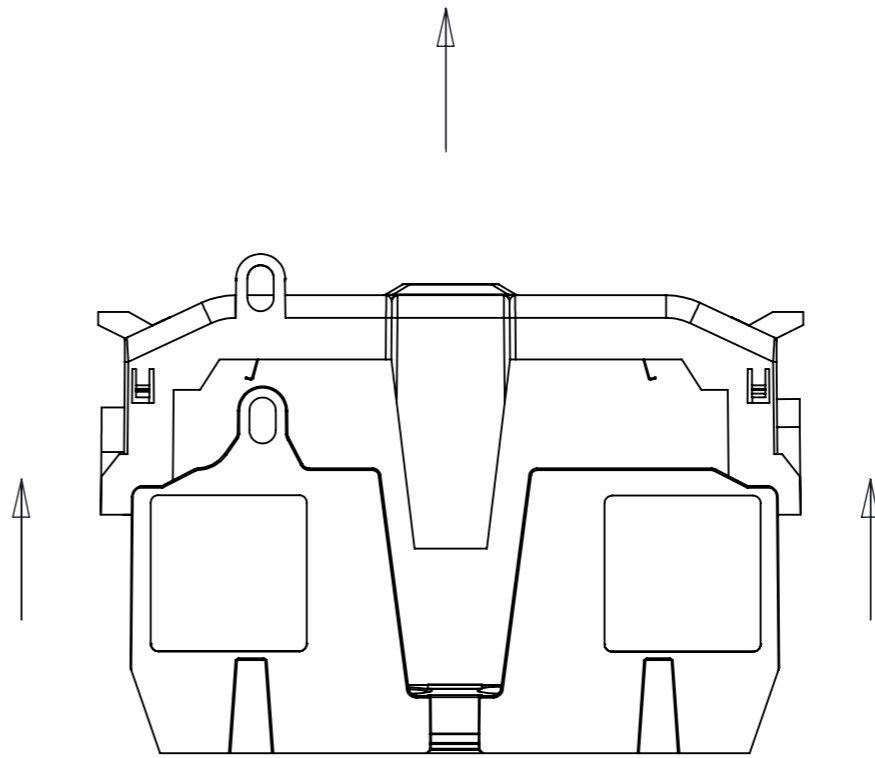
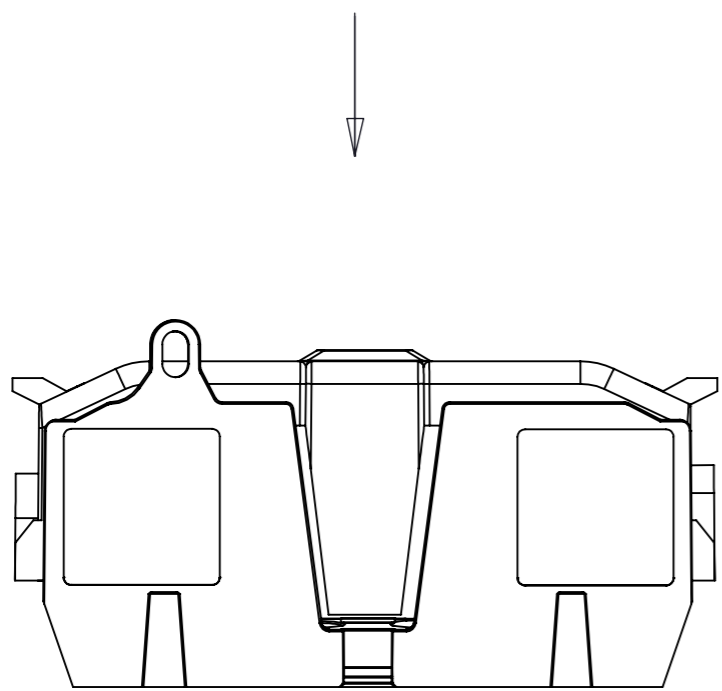
F
E
D
C
B
A



PUSH DOWN



**LIFT UP.
THEN ROTATE COVER.**



LIFT UP.

Bussmann
by **E.T.N.**

TITLE: **600V / 200A CLASS J FUSE HOLDER**

SIZE: A3	DWG NO.: JM60200-SERIES-CP	REV: A
SCALE: 1:2	SHEET 3 OF 3	

8 7 6 5 4 3 2 1

F
E
D
C
B
A

S:\A3_BUSMANN_GERMAN_REV_A