

**Mercury Free
Silver oxide batteries**

SR1130 (389/390)



Specifications

Average Service Capacity(to 1.2 volts) 85 mAh
(Rated capacity at 10k ohms at 23°C)

Terminals Flat contacts

Average weight 1.4 g

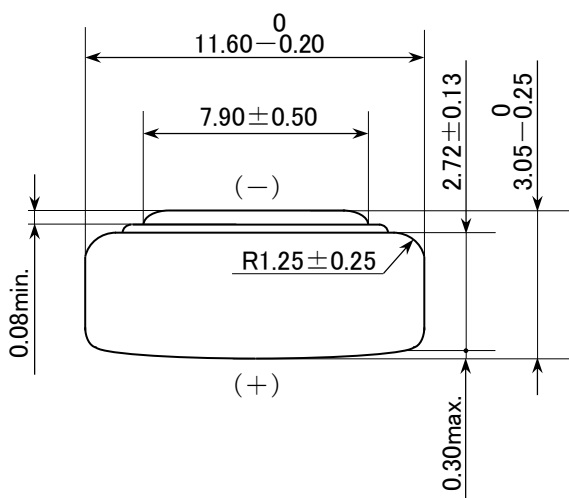
Characteristics

Minimum OCV 1.55 volts

Minimum -10°C CCV (200 ohms / 5 seconds) 1.10 volts

Minimum Capacity (10k ohms to 1.2 volts) 76.5 mAh

Dimension



Discharge curve

