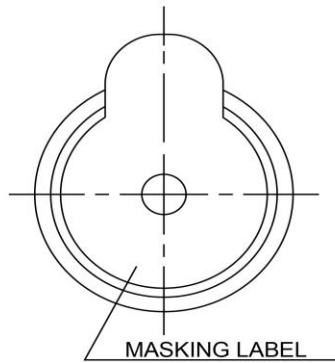
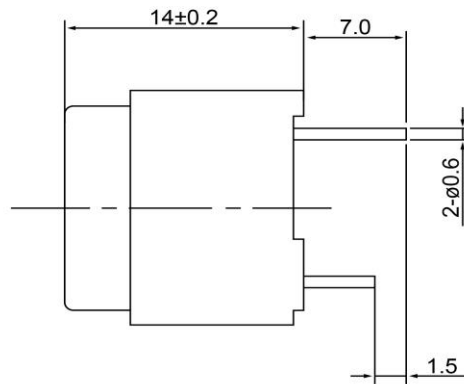


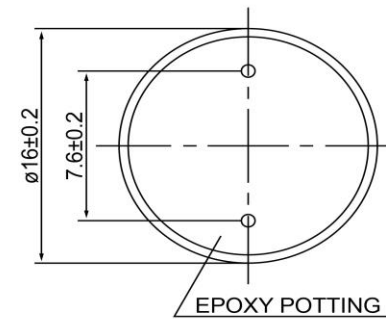
TOP VIEW





SIDE VIEW



BOTTOM VIEW



| Specifications   |                    |       | Notes  | Revision History |                           |  |          |  |  |
|--|--------------------|-------|--|------------------|---------------------------|--|----------|--|--|
| Description  | Value              | Unit  |  | Version          | Description               | Date   | Approved |  |  |
| Technology   | Electro-Mechanical |       | 1) All dimensions are in mm unless otherwise noted<br>2) All parts meet RoHS         | 1                | Released from Engineering | 10/21/2013   | J.S      |  |  |
| Resonant Frequency   | 2,300              | (Hz)  |  |                  |                           |  |          |  |  |
| Rated Voltage  | 6                  | (V)   |  |                  |                           |  |          |  |  |
| SPL @ 10cm   | 85                 | (dBA) |  |                  |                           |  |          |  |  |
| Tone   | Single             |       |  |                  |                           |  |          |  |  |
| Mount Type   | Thru Hole          |       |  |                  |                           |  |          |  |  |
| Voltage Range  | 4 ~ 8              | (V)   |  |                  |                           |  |          |  |  |
| Max Rated Current  | 30                 | (mA)  |  |                  |                           |  |          |  |  |
| Housing Material   | NORYL              |       |  |                  |                           |  |          |  |  |
| Operating Temperature  | -30 ~ +70          | °C    |  |                  |                           |  |          |  |  |
| Storage Temperature  | -40 ~ +85          | °C    |  |                  |                           |  |          |  |  |
| Weight   | 7                  | (g)   |  |                  |                           |  |          |  |  |
|  |                    |       |  |                  |                           | <b>Drawn by</b> <b>Date</b> <b>Checked by</b> <b>Date</b> <b>Approved by</b> <b>Date</b> |          |  |  |
|  |                    |       |  |                  |                           | A.B.    10/21/2013    C.E.    10/21/2013    J.S    10/21/2013                            |          |  |  |
|  |                    |       | <b>Electro-Mechanical Indicator</b>  |                  |                           | <b>IE162306-2</b>  |          |  |  |

Additional considerations can be found at [www.dbunlimitedco.com/technical-articles](http://www.dbunlimitedco.com/technical-articles).