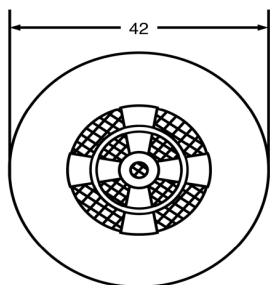
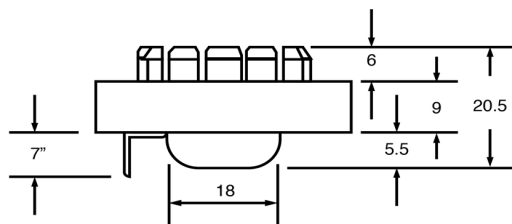


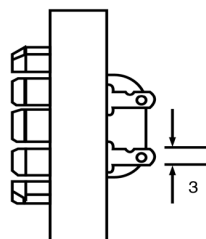
TOP VIEW



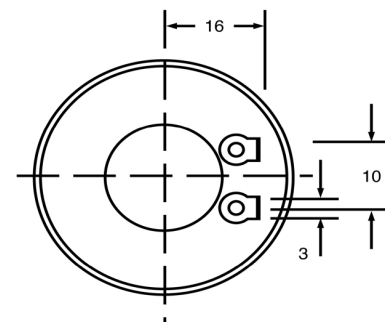
SIDE VIEW (1)




SIDE VIEW (2)



BOTTOM VIEW



Specifications			Notes	Revision History						
Description	Value	Unit		Version	Description		Date	Approved		
Technology	Piezo		1) All dimensions are in mm unless otherwise noted 2) All parts meet RoHS	1	Released from Engineering		10/21/2013	J.S		
Resonant Frequency	2,900	(Hz)								
Rated Voltage	24	(V)								
SPL @ 10cm	95	(dBA)								
Tone	Single									
Mount Type	Panel									
Voltage Range	1 ~ 28	(V)								
Max Rated Current	15	(mA)								
Housing Material	NYLON									
Operating Temperature	-20 ~ +60	°C								
Storage Temperature	-20 ~ +60	°C								
Weight	18	(g)								
 <b>DB UNLIMITED</b>			<b>Piezo Indicator</b>			<b>IP422924-1</b>				

Additional considerations can be found at [www.dbunlimitedco.com/technical-articles](http://www.dbunlimitedco.com/technical-articles).