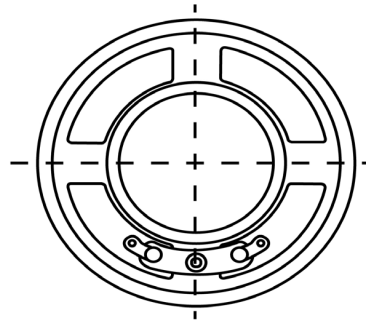
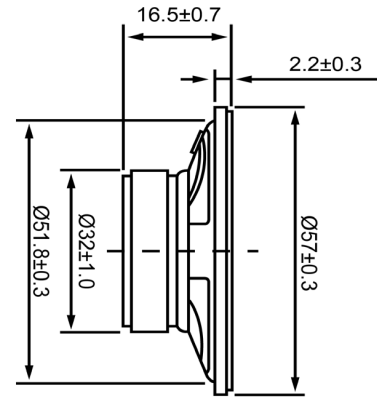



TOP VIEW



SIDE VIEW



| Specifications | | | Notes | Revision History | | | | | |
|-----------------------|-------------|-------|--|------------------|---------------------------|------------|----------|-------------|----------|
| Description | Value | Unit | | Version | Description | | Date | Approved | |
| Shape | Round | | 1) All dimensions are in mm unless otherwise noted 2) All parts meet RoHS  DB UNLIMITED | 1 | Released from Engineering | | 2/5/2014 | J.S. | |
| Resonant Frequency | 420 | (Hz) | | | | | | | |
| Frequency Range | 420 ~ 5,000 | (Hz) | | | | | | | |
| SPL @ 10cm | 101 | (dBA) | | | | | | | |
| Impedance | 8 | (Ohm) | | | | | | | |
| Cone Material | Paper | | | | | | | | |
| Nominal Power | 0.5 | (W) | | | | | | | |
| Max Power | 0.8 | (W) | | | | | | | |
| Mount Type | Flush Mount | | | | | | | | |
| Operating Temperature | -30 ~ +60 | °C | | | | | | | |
| Storage Temperature | -30 ~ +60 | °C | | | | | | | |
| Weight | 45 | (g) | | | | | | | |
| | | | | Dynamic Speaker | | SP570408-1 | | | |
| | | | | Drawn by | Date | Checked by | Date | Approved by | Date |
| | | | | G.W. | 1/27/2014 | C.E. | 2/5/2014 | J.S. | 2/5/2014 |

Additional considerations can be found at www.dbunlimitedco.com/technical-articles.