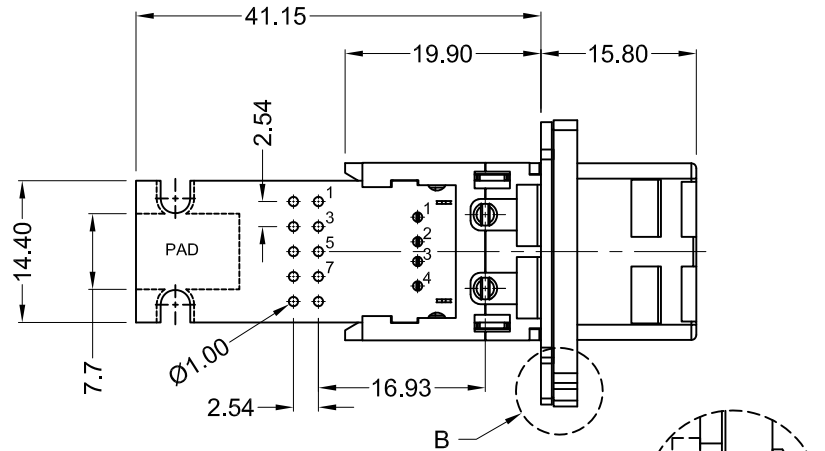


Uninstalled Height 3.90

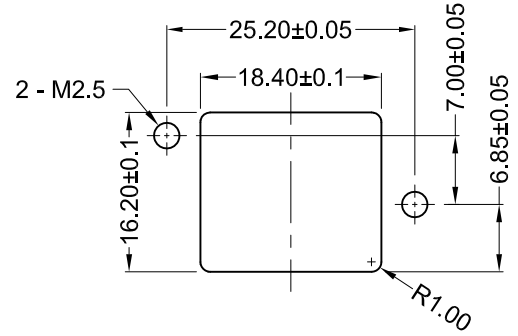
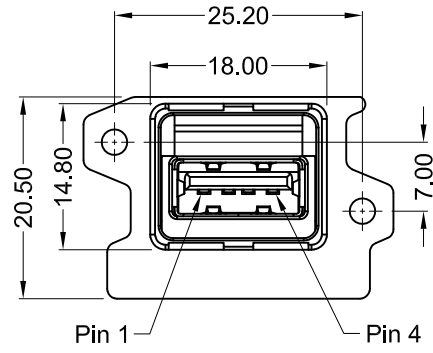
Detail A



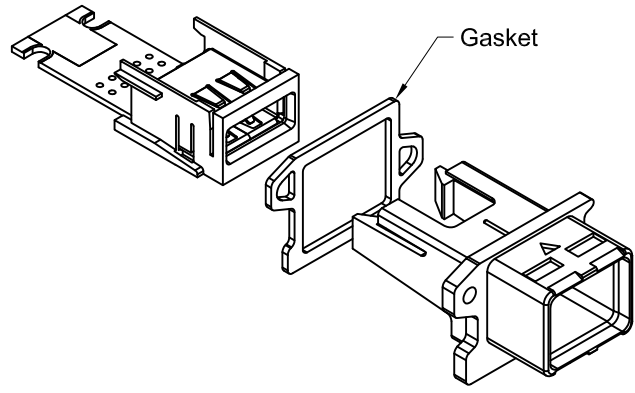
Product Panel

Installed Height 3.70

Detail B



Recommended Panel Cutout (Front View)



Note: Recommended Mounting Screw - M2.5

**Materials and Finish**

Housing: Polycarbonate  
20% Glass Filled, UL 94V-0  
Rated, Black Color

Shield: Steel, Nickel Plated

Contact Materials:  
Phosphor Bronze

Contact Plating:  
Gold Flash Plated on Contact Area,  
Tin Plated on Solder Tails,  
All over Nickel Underplate

**Electrical Characteristics**

Rated Current: 1.5A  
Rated Voltage: 30V  
Insulation Resistance:  
500 Megohms Min. at 500V DC  
Contact Resistance:  
50 milliohms Max.  
Dielectric Withstanding Voltage:  
500V AC RMS for 1 Minute

**Mechanical Characteristics**

Insertion Force: 0.4kg - 3.0kg  
Withdrawal Force: 0.3kg - 3.0kg  
Durability: 1000 Mating Cycles Min.  
Operating Temperature:  
-25°C to +85°C

CIRCUIT DIAGRAM		
USB	Connector	PCB
1	V Bus	1
2	D-	3
3	D+	5
4	GND	7
Shell	SHIELD	PAD



Tolerances
X.X ± 0.38
X.XX ± 0.25
Unless Stated Otherwise

REV.	DATE	DESCRIPTION	REV. BY	CHK. BY	DRAWN BY	DATE
A0	05/08/15	New Drawing	W. Cook	H. MA		
A1	01/04/16	Release Drawing	C. Kelleher	N/A	W. Cook	05/04/15

KUSB67X-AS1N-PM

Push Pull IP67 Panel Mount  
USB A to PCB, RoHS Compliant

