

8 7 6 5 4 3 2 1

D

C

B

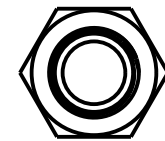
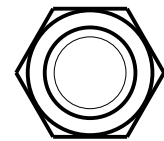
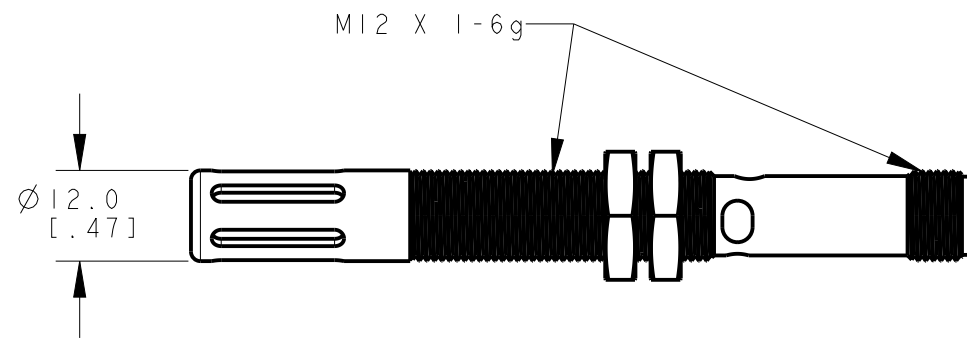
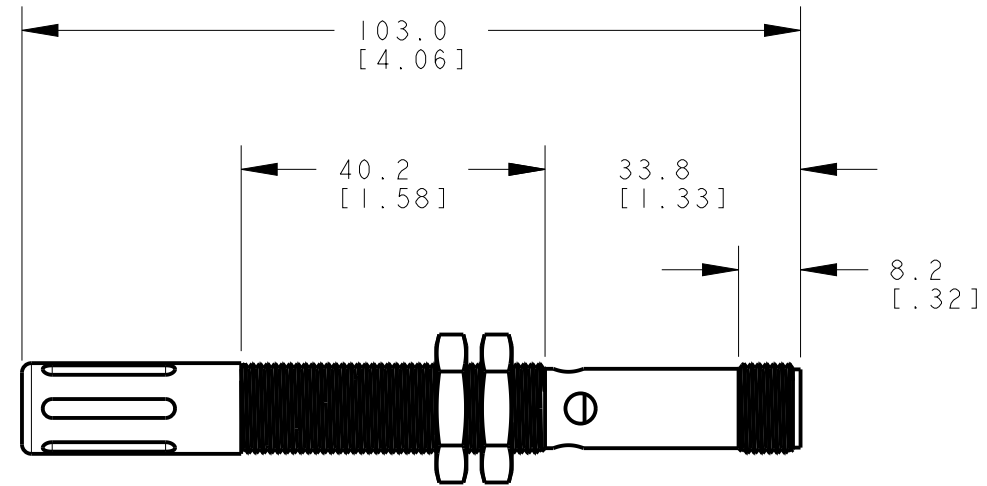
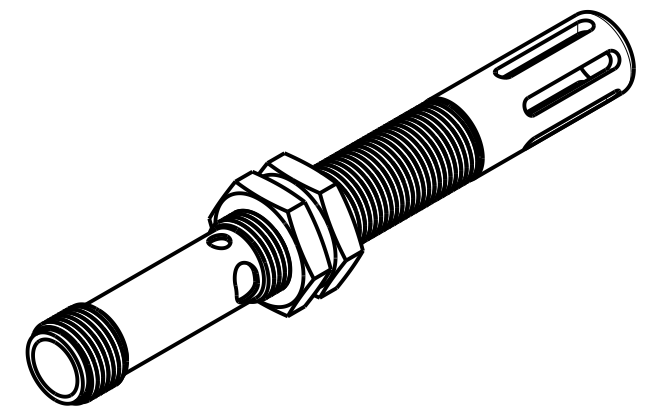
A

D

C

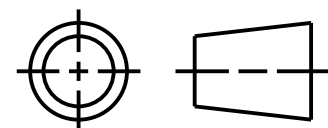
B

A



This drawing is the property of BANNER ENGINEERING CORP. Any use or reproduction, in any form, without prior written permission of Banner is prohibited. © 2015 Banner Engineering Corp.

THIRD ANGLE PROJECTION



		BANNER ENGINEERING CORP. www.bannerengineering.com	
TITLE <b>M12FTH TYPICAL WEB FASTENERS/3D</b>			
SIZE B	DRAWING NO. <b>148644</b>	REV. <b>A</b>	
SCALE 1:1		SHEET 1 OF 1	

NOTES:  
1. ALL DIMENSIONS ARE MILLIMETERS [INCHES] UNLESS OTHERWISE NOTED.  
2. REFER TO "www.bannerengineering.com" FOR ADDITIONAL DATA AND SPECIFICATIONS.

8 7 6 5 4 3 2 1 CREO