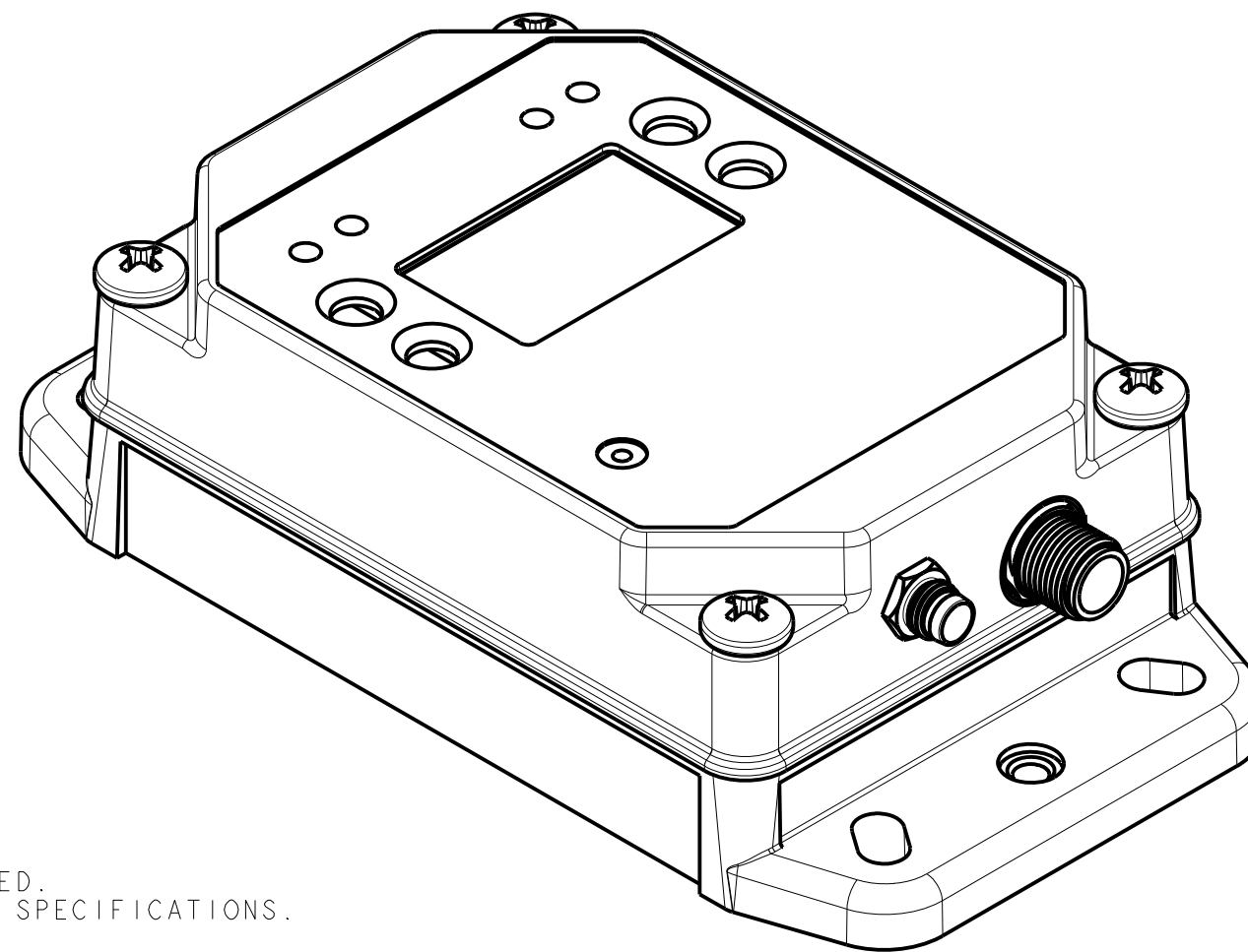
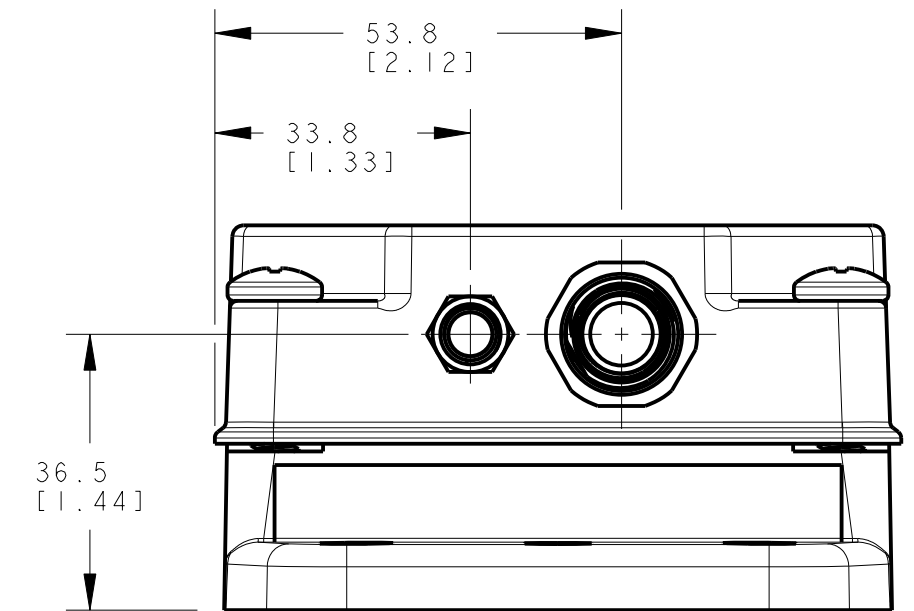
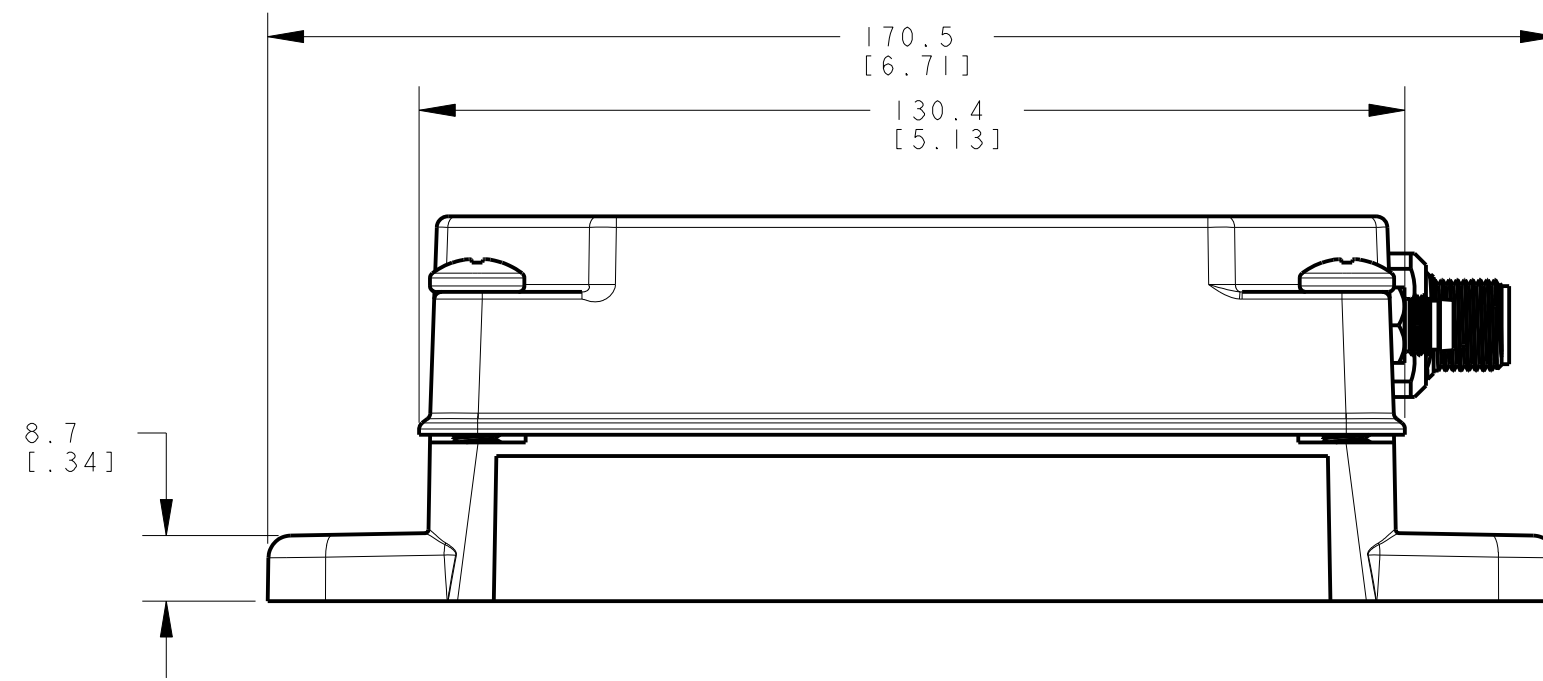
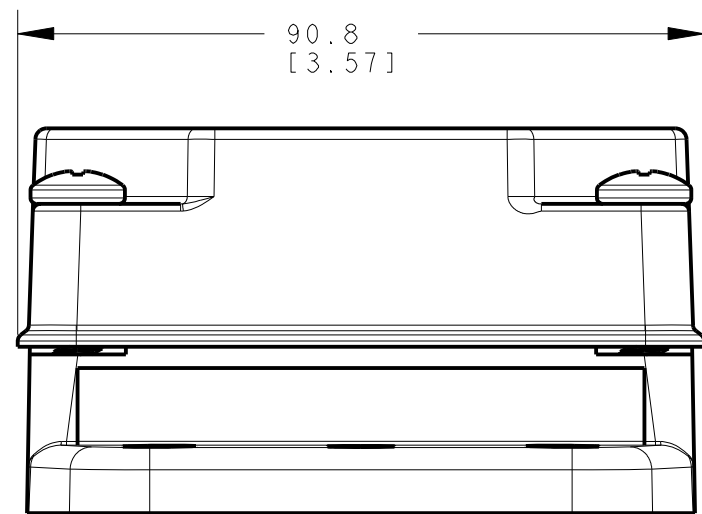
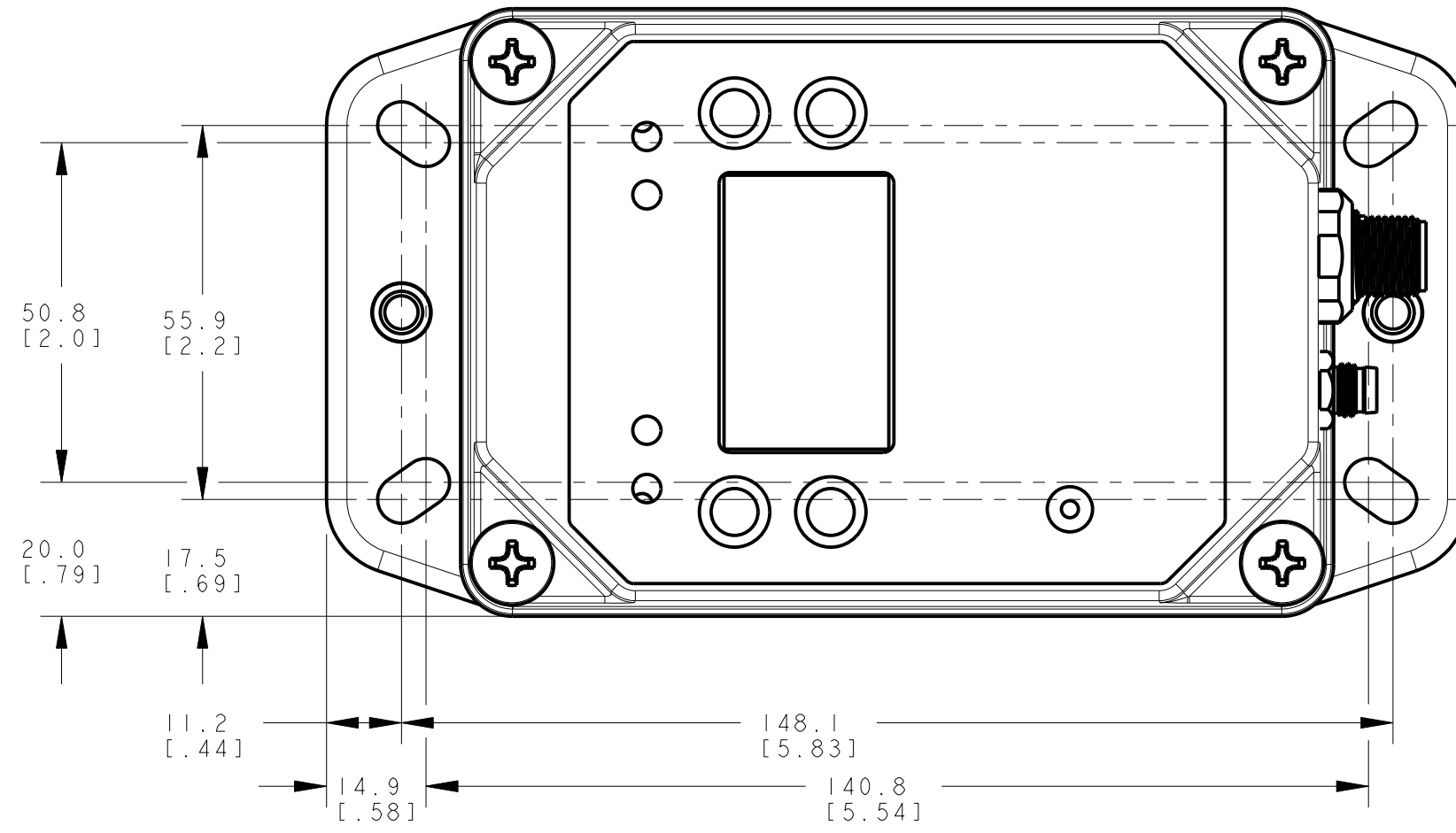


DXMI200



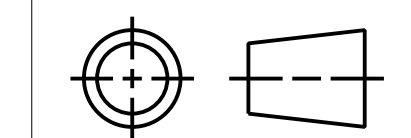
NOTES:
 1. ALL DIMENSIONS ARE MILLIMETERS [INCHES] UNLESS OTHERWISE NOTED.
 2. REFER TO "www.bannerengineering.com" FOR ADDITIONAL DATA AND SPECIFICATIONS.

This drawing is the property of BANNER ENGINEERING CORP. Any use or reproduction, in any form, without prior written permission of Banner is prohibited. © 2015 Banner Engineering Corp.

BANNER BANNER ENGINEERING CORP.
 www.bannerengineering.com

TITLE
STARTERKIT1200 TH

THIRD ANGLE PROJECTION



SIZE C	DRAWING NO. 218793	REV. A
SCALE 1:1		SHEET 1 OF 2

CREO

8

7

6

5

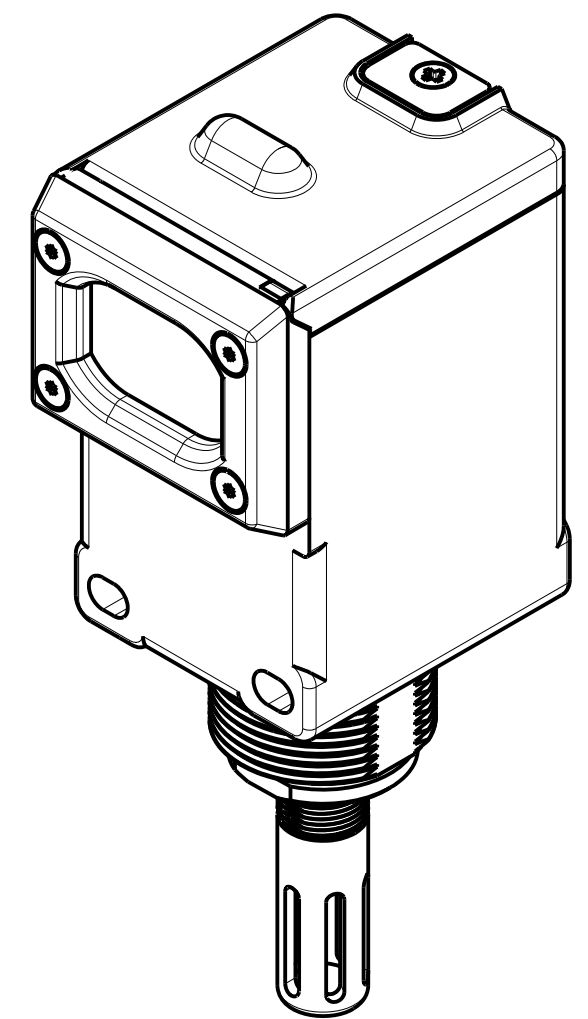
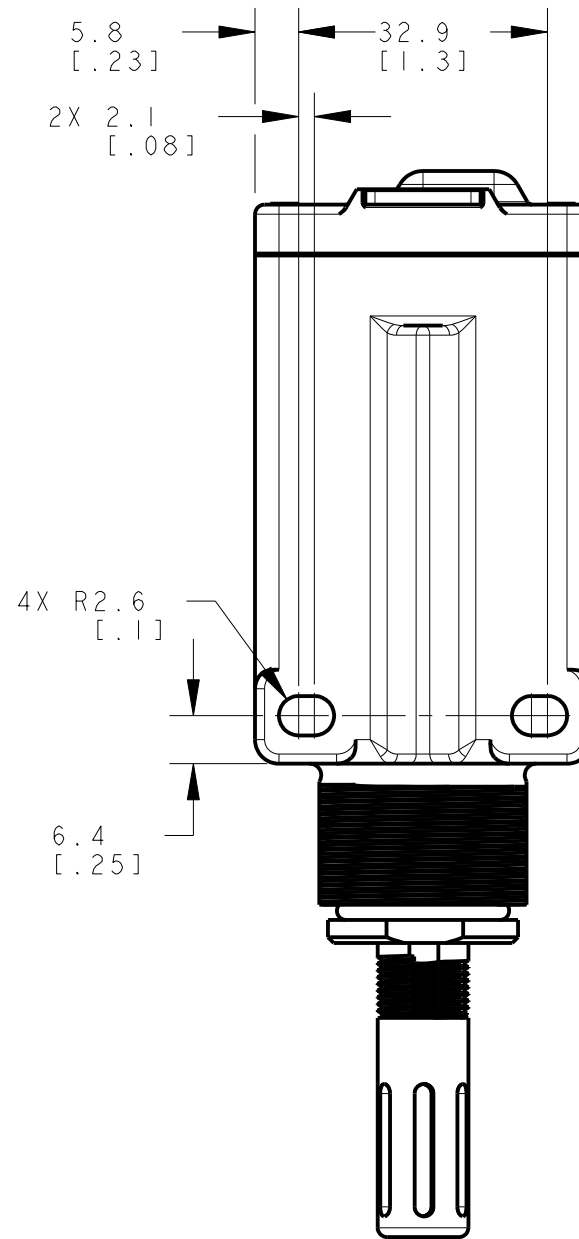
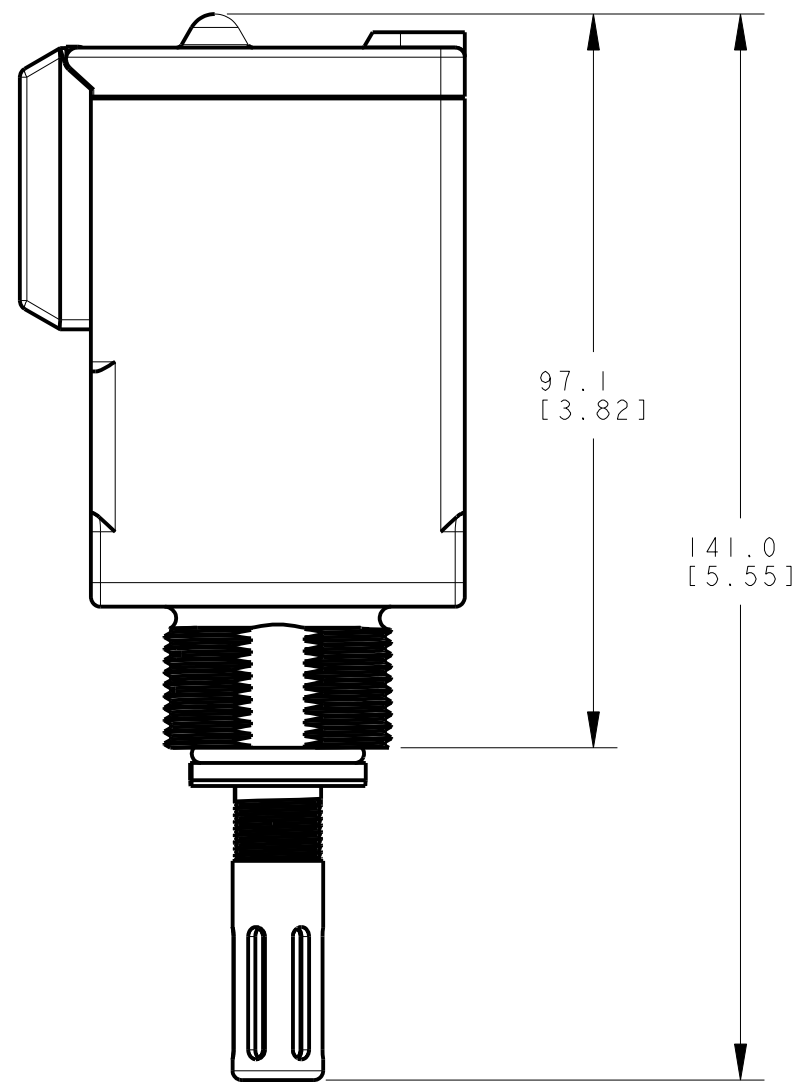
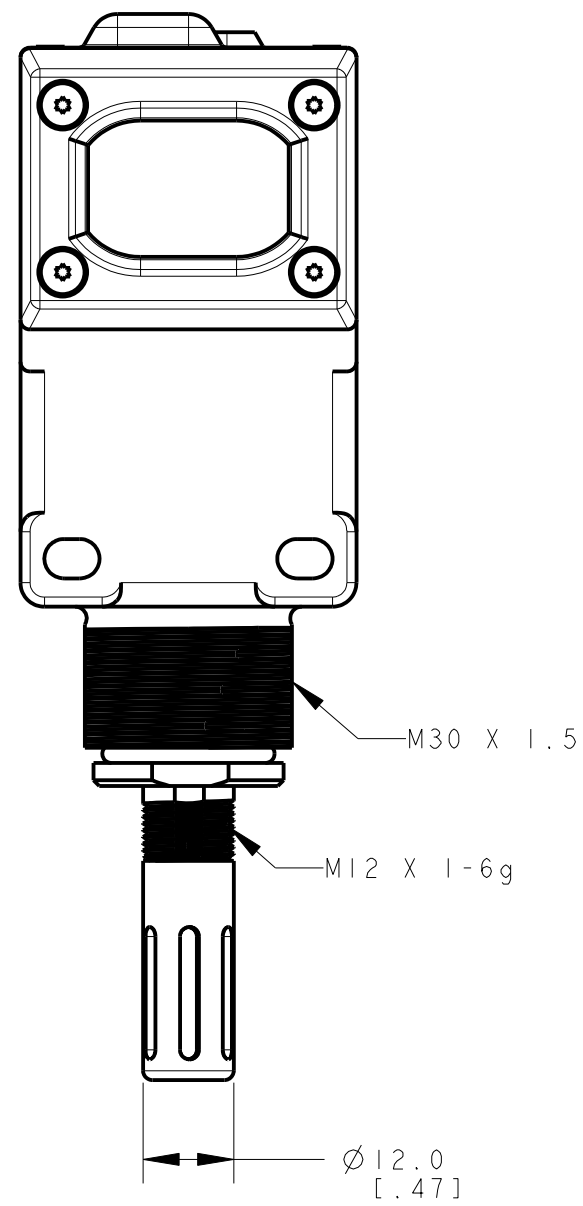
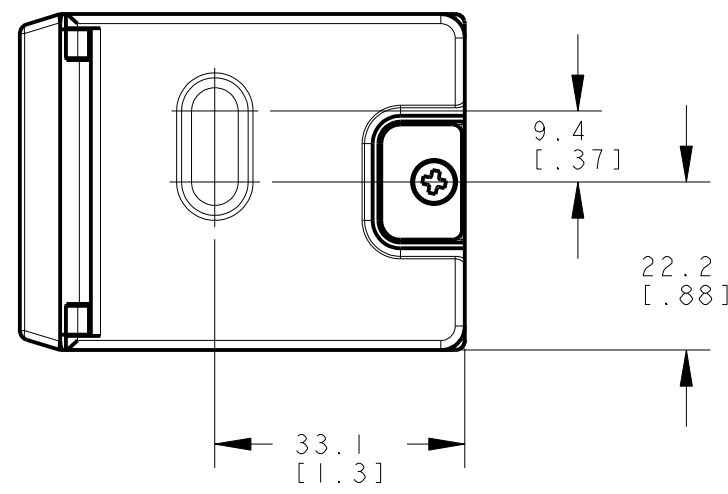
4

3

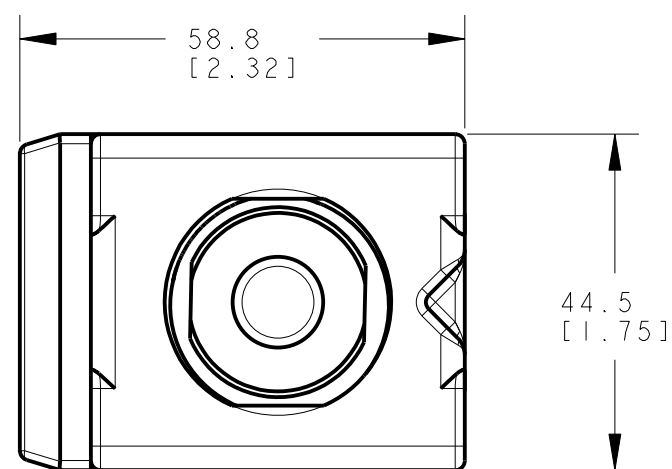
2

1

Q45THA



ISOMETRIC VIEW



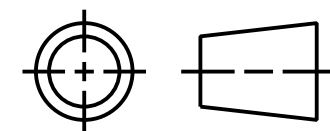
NOTES:
 1. ALL DIMENSIONS ARE MILLIMETERS [INCHES] UNLESS OTHERWISE NOTED.
 2. REFER TO "www.bannerengineering.com" FOR ADDITIONAL DATA AND SPECIFICATIONS.

This drawing is the property of BANNER ENGINEERING CORP. Any use or reproduction, in any form, without prior written permission of Banner is prohibited. © 2015 Banner Engineering Corp.



BANNER ENGINEERING CORP.
 www.bannerengineering.com

THIRD ANGLE PROJECTION



TITLE STARTERKIT1200 TH		
SIZE C	DRAWING NO. 218793	REV. A
SCALE 1:1		SHEET 2 OF 2

CREO

8

7

6

5

4

3

2

1