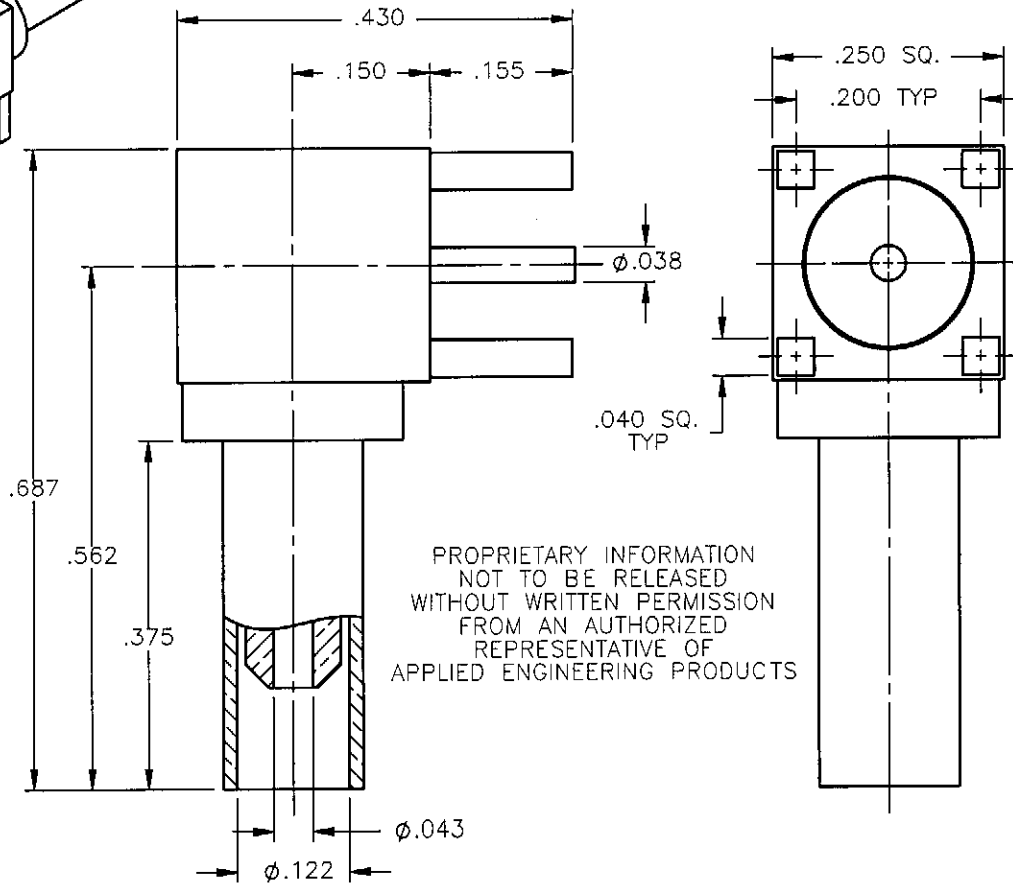
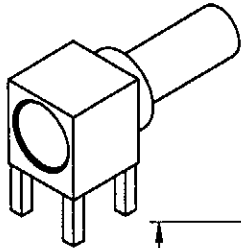


REVISIONS			
REV.	DESCRIPTION	DATE	APPROVED
A	INITIAL RELEASE	05/25/07	A.D.M.



PROPRIETARY INFORMATION
NOT TO BE RELEASED
WITHOUT WRITTEN PERMISSION
FROM AN AUTHORIZED
REPRESENTATIVE OF
APPLIED ENGINEERING PRODUCTS

NOTES:

MATERIALS:

1. INSULATORS = VIRGIN WHITE TEFLON PER ASTM D1710, GRADE 1, TYPE I, CLASS "B".
2. CRIMP SLEEVE = SEAMLESS LOWLEAD BRASS TUBE, ALLOY 330, SOFT ANNEAL TEMPER, .025/.060 GRAIN SIZE OR SEAMLESS COPPER TUBE PER ASTM B75, TYPE C12000, TEMPER: LIGHT ANNEAL O50 EXCEPT YIELD STRENGTH.
3. ALL OTHER METAL PARTS = BRASS PER ASTM B16, ALLOY C36000, TEMPER H02.

FINISHES:

1. CONTACT = GOLD PLATE PER MIL-G-45204, TYPE II, CLASS 1, GRADE C, OVER .00010 TO .00020 STRESS FREE SULFAMATE NICKEL PER QQ-N-290.
2. ALL OTHER METAL PARTS = GOLD PLATE PER MIL-G-45204, TYPE II, CLASS 0, GRADE C, OVER .00010 TO .00020 COPPER STRIKE PER MIL-C-14550.

UNLESS OTHERWISE SPECIFIED DIMENSIONS ARE IN INCHES TOLERANCES ON	DWN:	DATE
	A.D.M.	05/25/07
DECIMAL	CHKD:	DATE
ANGLE	D.N.	05/25/07
	APVD:	DATE
	J.M.	05/25/07
REFERENCE:	MATERIALS & FINISHES:	
ORIGINATED: A.D.M. DATE: 05/25/07	SEE NOTES	

AEP APPLIED ENGINEERING PRODUCTS
a RADIALL company
104 John W. Murphy Dr.
New Haven, CT 06513

**RIGHT ANGLE P.C.B. MOUNT
CABLE TERMINATION CRIMP TYPE
FOR RG-178 & SIMILAR CABLES**

SIZE	FSCM NO.	DWG NO.	REV
A	19505	8145-1521-002	A
SCALE 5:1		THIRD ANGLE PROJECTION	SHEET 1 OF 1

8145-1521-002