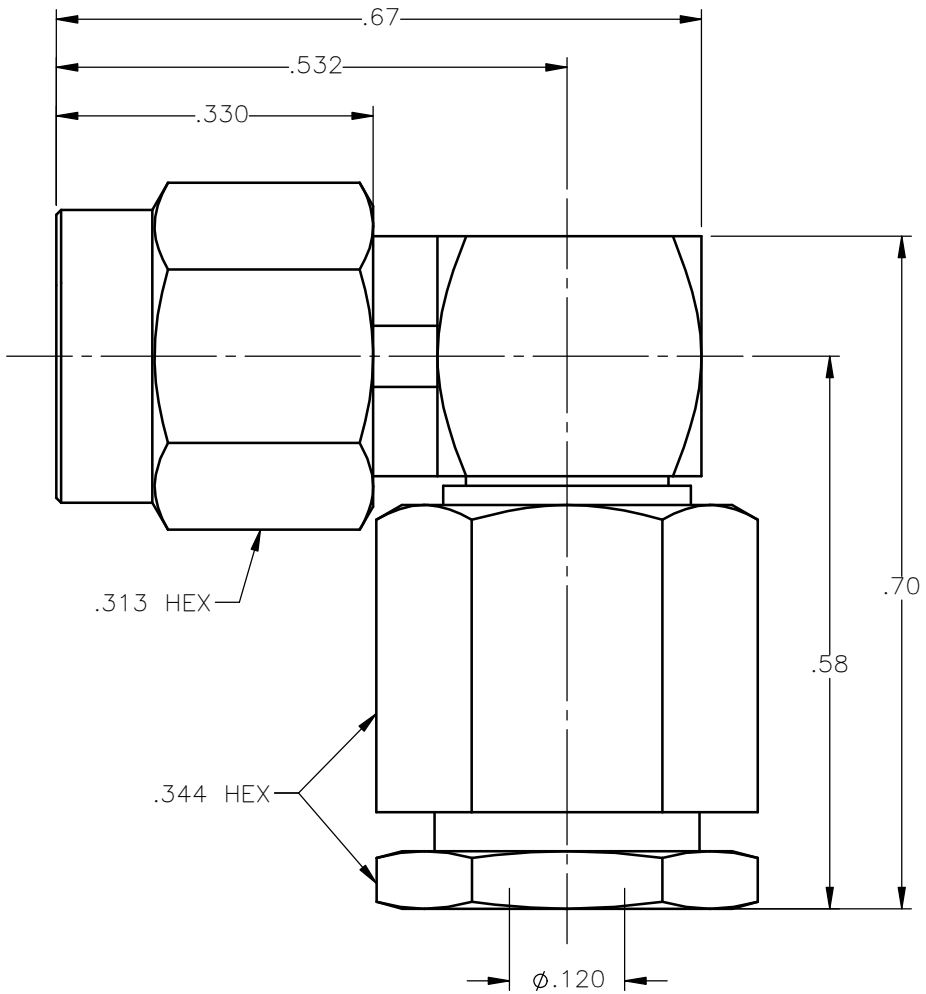
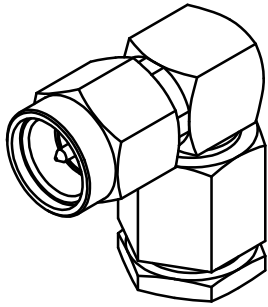


| REVISIONS |                 |          |          |
|-----------|-----------------|----------|----------|
| REV.      | DESCRIPTION     | DATE     | APPROVED |
| A         | INITIAL RELEASE | 03/16/18 | D.N.     |





NOTES:

MATERIALS:

- BODIES & COUPLING NUT = STAINLESS STEEL PER ASTM A582, ALLOY 303, CONDITION "A".
- INSULATORS = VIRGIN WHITE TEFLON PER ASTM D1710, GRADE 1, TYPE I, CLASS "B".
- CONTACT & RETAINING RING = BERYLLIUM COPPER PER ASTM B196, ALLOY C17300, TEMPER TD04.
- GASKET = SILICONE RUBBER PER ZZ-R-765, CLASS 2B, GRADE 65-75.
- ALL OTHER METAL PARTS = BRASS PER ASTM B16, ALLOY C36000, TEMPER H02.

FINISHES:

- BODIES & COUPLING NUT = PASSIVATE PER QQ-P-35, TYPE VI.
- CONTACT = GOLD PLATE PER MIL-G-45204, TYPE II, CLASS 1, GRADE C, OVER .00010 TO .00020 STRESS FREE SULFAMATE NICKEL PER QQ-N-290.
- ALL OTHER METAL PARTS = NICKEL PLATE PER QQ-N-290, CLASS 1, GRADE G, EXCEPT .0001 TO .0002 THICK OVER .00005 TO .0001 THICK COPPER PER MIL-C-14550.

|   |                       |                  |  |   |              |
|---|-----------------------|------------------|--|---|--------------|
| UNLESS OTHERWISE SPECIFIED<br>DIMENSIONS ARE IN INCHES<br>TOLERANCES ON | DWN:<br>D.N.          | DATE<br>03/16/18 |  <b>Property of Radiall</b><br>This document cannot be reproduced or<br>communicated to a third party without prior<br>written permission of RADIALL. |  |              |
|   | CHKD:<br>C.E.         | DATE<br>03/16/18 |  |   |              |
| DECIMAL   | ANGLE                 | APVD:<br>J.M.    | <b>SMA RIGHT ANGLE PLUG<br/>CLAMP TYPE<br/>FOR RG-316 &amp; SIMILAR CABLES</b>   |   |              |
|   |                       | DATE<br>03/16/18 |  |   |              |
| REFERENCE:  | MATERIALS & FINISHES: | SIZE<br>A        | FSCM NO.<br>19505  | DWG NO.<br>9243-9553-003  | REV<br>A     |
| ORIGINATED: D.N.<br>DATE: 03/16/18                                      | SEE NOTES             | SCALE<br>5:1     | THIRD ANGLE<br>PROJECTION  |   | SHEET 1 OF 1 |

9243-9553-003