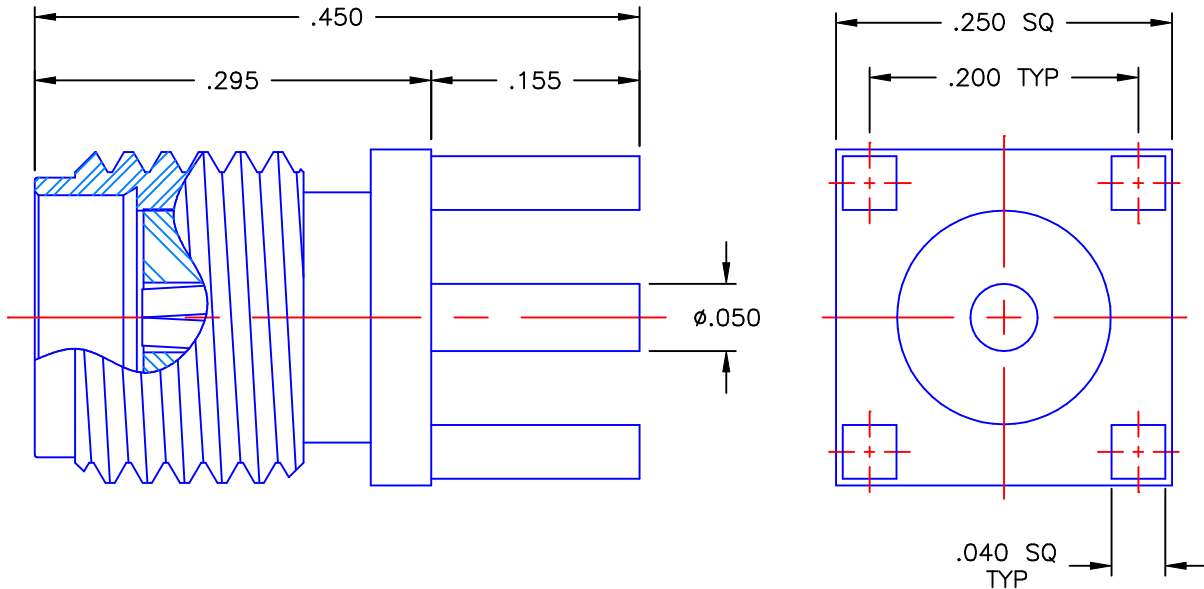


REVISIONS			
REV	DESCRIPTION	DATE	APPROVED
A	INITIAL RELEASE	04/07/10	D.N.




MATERIALS:

1. BODY = STAINLESS STEEL PER ASTM A582, ALLOY 303, CONDITION "A".
2. INSULATOR = VIRGIN WHITE TEFLON PER ASTM D1710, GRADE 1, TYPE I, CLASS "B".
3. CONTACT = BERYLLIUM COPPER PER ASTM B196, ALLOY C17300, TEMPER TD04.

FINISHES:

1. BODY = GOLD PLATE PER MIL-G-45204, TYPE II, CLASS 0, GRADE C, OVER .000050 TO .00010 STRESS FREE NICKEL PER QQ-N-290.
2. CONTACT = GOLD PLATE PER MIL-G-45204, TYPE II, CLASS 1, GRADE C, OVER .00010 TO .00020 STRESS FREE SULFAMATE NICKEL PER QQ-N-290.

Property of Radiall Incorporated
 This document cannot be reproduced or
 communicated to a third party without prior
 written permission of RADIALL Incorporated.

UNLESS OTHERWISE SPECIFIED DIMENSIONS ARE IN INCHES TOLERANCES ON	DWN: DATE D.N. 04/07/10	 APPLIED ENGINEERING PRODUCTS 104 John W. Murphy Dr. New Haven, CT 06513	SMA STRAIGHT JACK P.C.B. MOUNT RECEPTACLE		
	CHKD: DATE A.D.M. 04/07/10				
	APVD: DATE J.M. 04/07/10				
DECIMAL	ANGLE	SIZE A	FSCM NO. 19505	DWG NO. 9650-1113-000	REV A
REFERENCE:	MATERIALS & FINISHES: SEE NOTES	SCALE 7:1	THIRD ANGLE PROJECTION	SHEET 1 OF 1	
ORIGINATOR: D.N. DATE: 04/07/10					

9650-1113-000