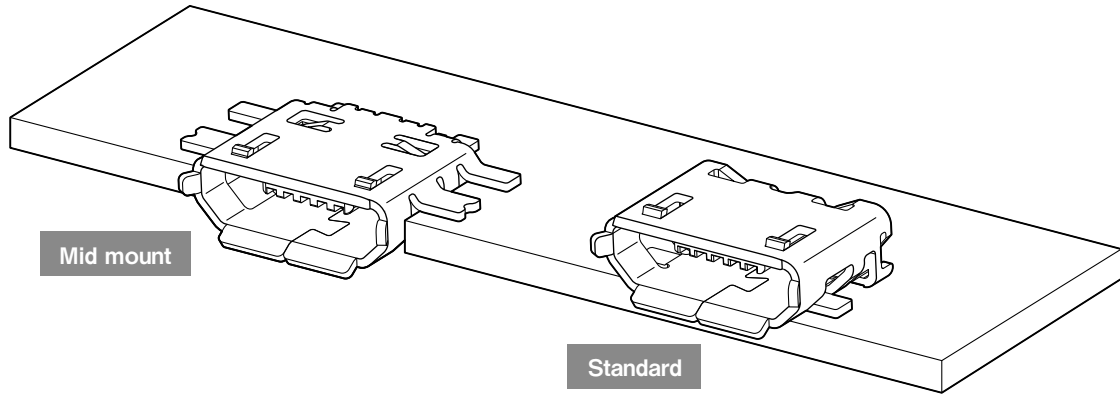




# UB CONNECTOR Micro USB

USB(Universal Serial Bus) standard-compliant connector



This connector is an interface connector for cellular phones and other mobile devices compliant with Micro USB (USB2.0) standard.

- It is a space saving design of about 50% reduction in mounting area compared with Mini USB. (Standard B type)
- 10,000 cycles durability
- Right angle SMT configuration

## ■ Specifications

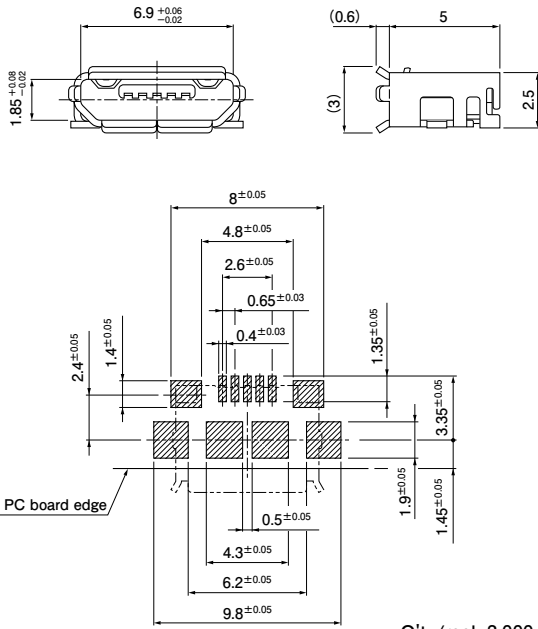
- Current rating :
    - When using only signal line  
Signal line (when using the contacts from No.2 to 4.)  
: 1.0 A/Line AC/DC
    - When using power supply line  
Power supply line (when using the contacts No.1 and 5.)  
: 1.8 A/Line AC/DC
    - Signal line (when using the contacts from No.2 to 4.)  
: 0.5 A/Line AC/DC
  - Voltage rating: 30 V AC/DC
  - Temperature range: -25°C to +85°C  
(including temperature rise in applying electrical current)
  - Contact resistance: Initial value/30 mΩ max.  
After environmental tests/ 50 mΩ max.  
(variation from initial value)
  - Insulation resistance: 1,000 MΩ min.
  - Withstanding voltage: There shall be no breakdown or flashover while applying 100 VAC for one minute.
- \* In using the products, refer to "Handling Precaution for Terminals and Connectors" described on our website (Technical documents of Product information page).
- \* RoHS2 Compliance
  - \* Dimensional unit: mm
  - \* Contact JST for details

# UB CONNECTOR Micro USB

## Receptacle

### Standard B type

TID No.: 60001357

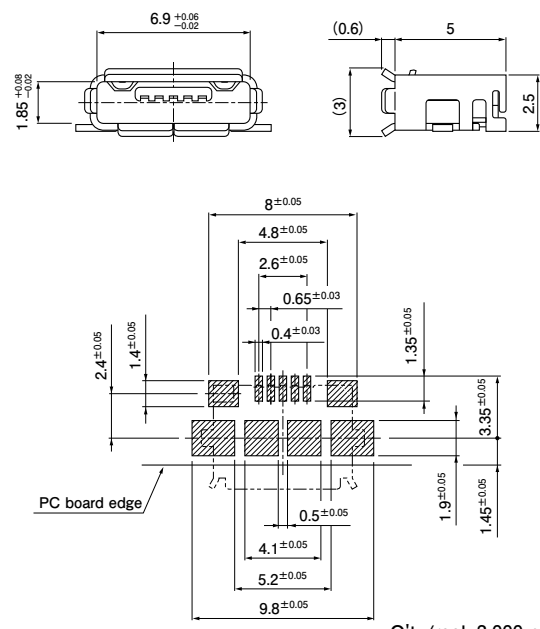


Q'ty/reel: 3,000 pcs.

Model No.	Material and Surface finish, etc.
UB-MC5BR3-SD204-4S-1-TB	Contact: Copper alloy, nickel-undercoated, gold-plated Housing: Heat resisting resin, UL94V-0, black Shell: Stainless, nickel-undercoated, tin-plated

### Standard AB type

TID No.: 60001359



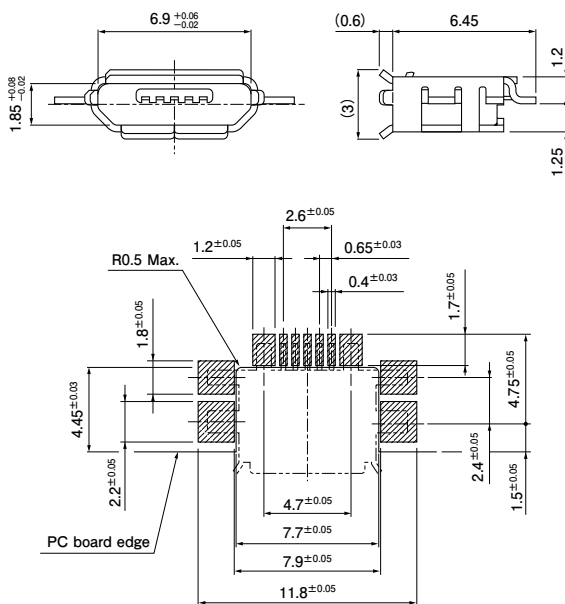
Q'ty/reel: 3,000 pcs.

Model No.	Material and Surface finish, etc.
UB-MC5ABR3-SD204-4S-1-TB	Contact: Copper alloy, nickel-undercoated, gold-plated Housing: Heat resisting resin, UL94V-0, gray Shell: Stainless, nickel-undercoated, tin-plated

### Mid mount B type

Mounting height: 1.2 mm

TID No.: 62001355



Q'ty/reel: 2,000 pcs.

Model No.	Material and Surface finish, etc.
UB-MC5BR3-M404-4S-TB	Contact: Copper alloy, nickel-undercoated, gold-plated Housing: Heat resisting resin, UL94V-0, black Shell: Stainless, nickel-undercoated, tin-plated