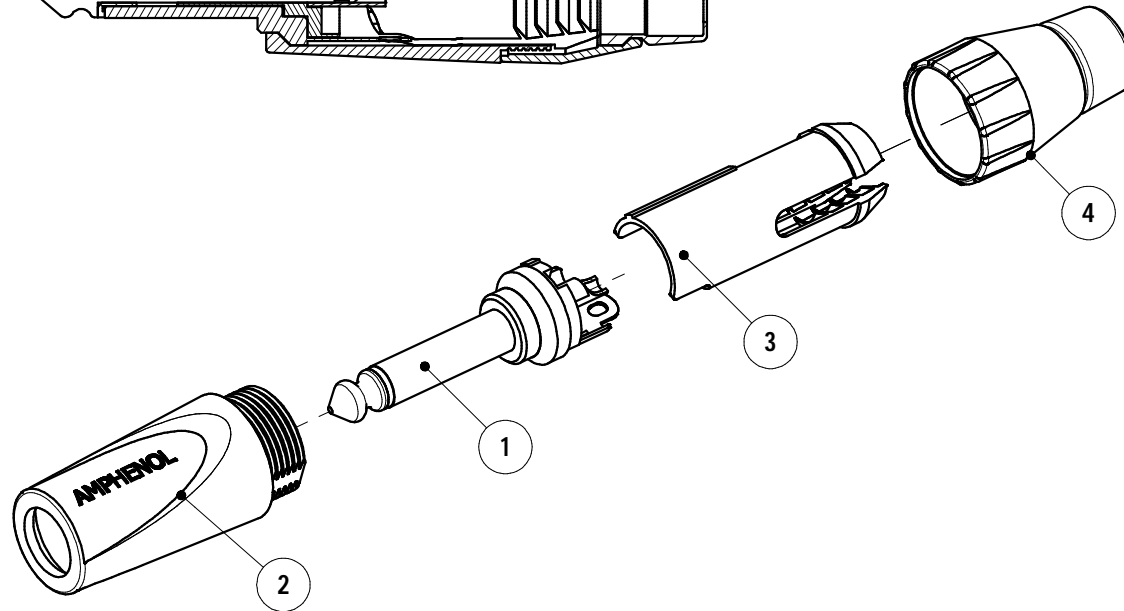


CAT P/N	ENG P/N	SHELL FINISH	CONTACT FINISH
JM2P	55010536-000	NICKEL PLATE	TIP & SLEEVE - NICKEL PLATED
JM2P-AU	55010536-001	NICKEL PLATE	TIP & SLEEVE - GOLD PLATED
JM2PB	55010536-002	MATT BLACK	TIP & SLEEVE - NICKEL PLATED
JM2PB-AU	55010536-003	MATT BLACK	TIP & SLEEVE - GOLD PLATED



NOTE:  
1. CONTACT FACTORY FOR THE AVAILABILITY OF COLOURED GROMMET

ITEM	PART NUMBER	DWG No.	DESCRIPTION	QTY
4	50440035-530	50440035-530-1	JUMBO BACKSHELL ASSEMBLY	1
3	50260005-521	50260005-521-1	1/4" PHONE JUMBO CABLE CLAMP	1
2	53480053-331	53480053-331-1	JUMBO DIECAST SHELL	1
1	51560071-131	51560071-131-1	JUMBO INSERT ASSEMBLY	1

UNLESS OTHERWISE SPECIFIED TOLERANCE TO BE:		THIS DOCUMENT IS THE PROPERTY OF AMPHENOL AUSTRALIA PTY. LTD. NO PART THEREOF MAY BE REPRODUCED AND USED WITHOUT THE PRIOR WRITTEN CONSENT OF THE OWNER	
LINEAR	ANGULAR	CAD FILE: <b>55010536000110</b>	DRN: A.O DATE: 27/06/08
X ±1 X.X ±0.5 X.XX ±0.1	X ±1 X.X' ±30' X.XX' ±15'	MATL: <b>SEE COMPONENTS</b>	CKD: M.N.H DATE: 17/07/08
BREAK ALL SHARP EDGES AND REMOVE ALL BURRS		APP'D: P.M	DATE: 17/07/08
DO NOT SCALE		FINISH: <b>SEE TABLE</b>	SCALE: <b>1:1</b>
DIMENSIONS IN MILLIMETRES		THIRD ANGLE PROJECTION	PART No: <b>SEE TABLE</b>

0	FIRST ISSUED	17/07/08	M.H	---
REV	DESCRIPTION	DATE	BY	CHG/No
REVISION HISTORY				
TITLE: <b>1/4" PHONE MONO JUMBO PLUG CUSTOMER DRAWING</b>		 Amphenol Australia Pty Ltd, 2 Fiveways Blvd, Keysborough, Vic3173		
DRAWING NO. <b>55010536-000-1</b>				

Parts List

A

A