



TPS-12-35W

DATA SHEET

Heavy Duty Solar Panel

Features

- Excellent Low Light Performance
- Extremely Reliable. 5 Year Product Warranty. 25 year Solar Cell Output Warranty.
- High Efficiency with High Transparency Low Iron Tempered Glass Cover. Rugged Extruded Anodized Aluminum Frame
- Sealed for Protection from Harsh Environments
- 36" Output Cables with MC4 Solar Connectors for Easy Hookup

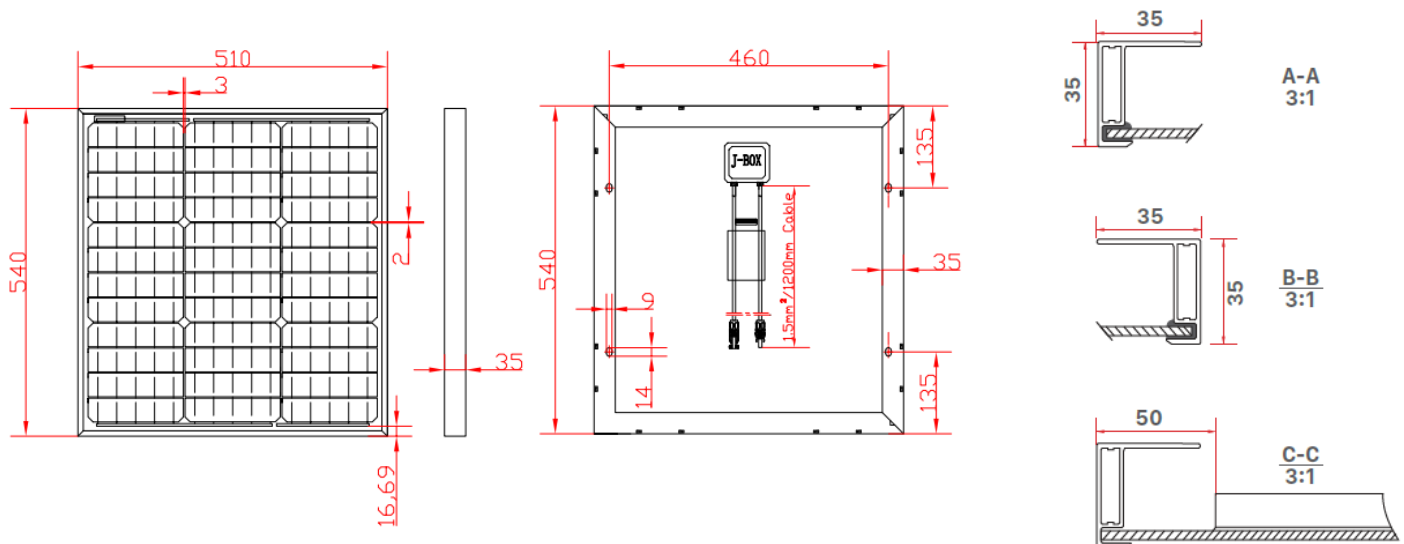


Applications

- Battery Charging Applications
- Wireless Base Stations
- Remote Sensors
- Remote Gates
- Surveillance Cameras
- Outdoor Lighting
- Backup Power Systems
- Electric Fence

Description

The TPS-12-35W solar panels are high efficiency 36 cell designs with excellent low light performance. The polycrystalline silicon solar cells are laminated with a TPT (Tedlar/Polyester/Tedlar) and EVA (Ethylene Vinyl Acetate) bi-layer for high reliability and long life. The cell array is sealed in a heavy duty extruded 6063-T5 aluminum frame with a high transparency low iron tempered glass cover to protect the solar cells from harsh environments; hail, wind, snow and ice. The solar panels are easy to mount because of the aluminum frame design. The wired connections are via a 12AWG x 900mm (36") outdoor rated cable terminated with MC4 solar connectors.

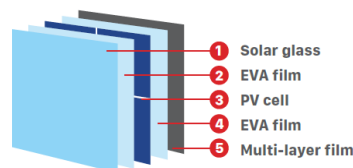


Specifications

| TPS-12-35W | |
|--|--|
| Maximum Power (+/-3%) | 35W |
| Voltage at Pmax (Vmp) | 18.1V |
| Current at Pmax (Imp) | 1.93A |
| Open Circuit Voltage (Voc) | 22V |
| Short Circuit Current (Isc) | 2.05A |
| Short Circuit I Temp Coeff | + 0.045% / °C |
| Open Circuit V Temp Coeff | -0.292% / °C |
| Output Power Temp Coeff | -0.408%/°C |
| Wind Survivability | 201kph (125mph) |
| Hailstone Survivability | 1" @ 50mph |
| Operating Temperature | -40 to +85°C |
| Continuous Power Capability (6hrs average sunlight per day) | 8.75W |
| Size | 540 x 510 x 35mm (21.3 x 20.1 x 1.4") |
| Weight | 4kg (8.8lb) |
| Warranty | 5 Year Product / 25 Year Output |
| IV Curve | <p>Electrical Performance at 25°C, AM1.5</p> |

System Ordering:

TPS-12-35W 12V 35W Heavy Duty Solar Panel



For further information contact:

Tyconsystems.com

