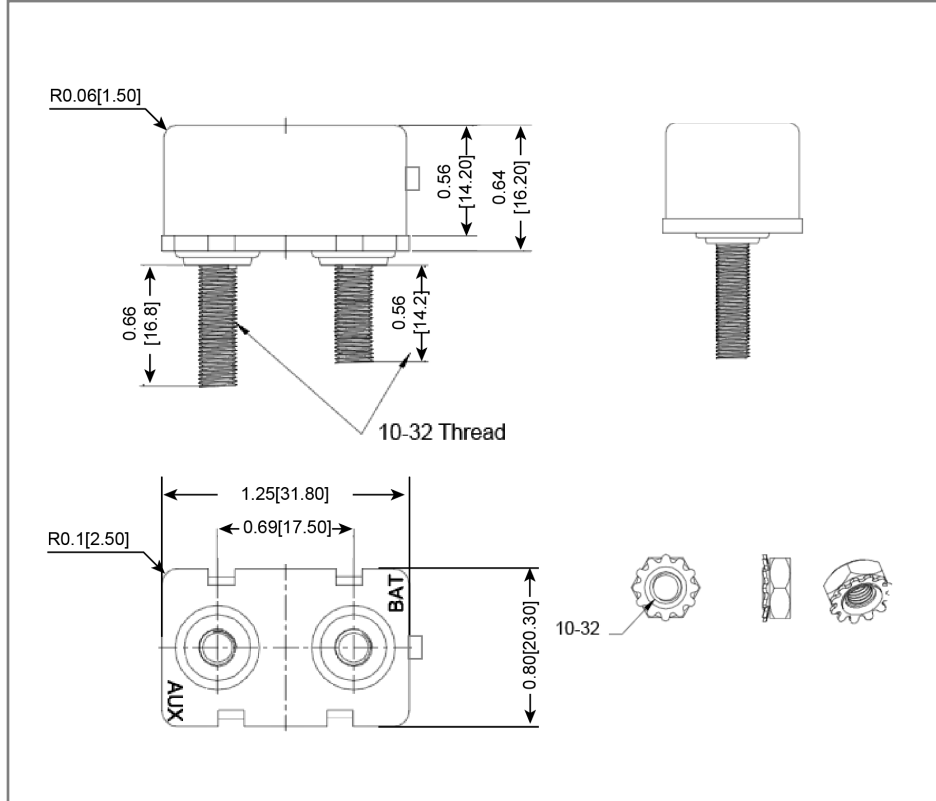


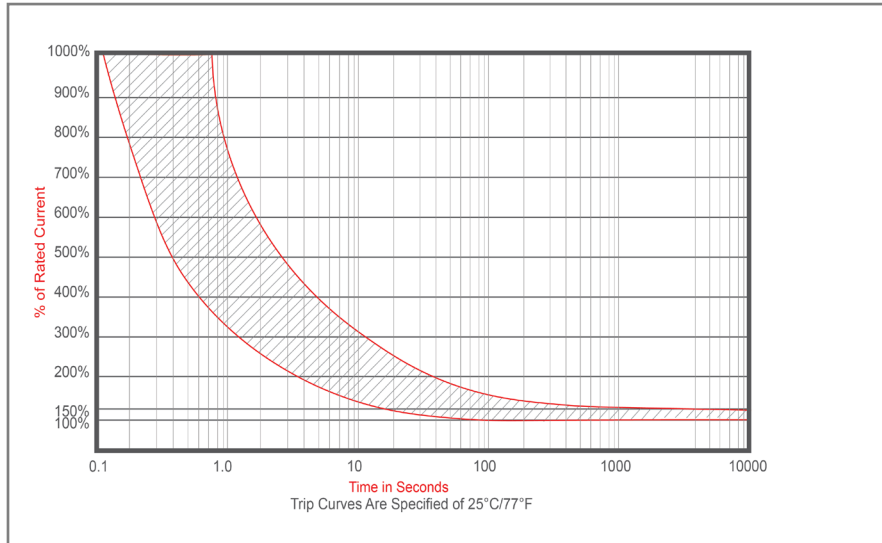
Mechanical Dimensions: Inches [mm]



Part Numbers Information

| Optifuse P/N | Current |
|--------------|---------|
| MRCBP-N-6A | 6A |
| MRCBP-N-8A | 8A |
| MRCBP-N-10A | 10A |
| MRCBP-N-15A | 15A |
| MRCBP-N-20A | 20A |
| MRCBP-N-25A | 25A |
| MRCBP-N-30A | 30A |
| MRCBP-N-40A | 40A |
| MRCBP-N-50A | 50A |

Time vs. Percent of Rated Current



| % of Rated Current | Min Trip Time | Max Trip Time |
|--------------------|---------------|---------------|
| 150% | 1h | - |
| 200% | 4s | 29s |
| 300% | 1.2s | 10.5 |
| 400% | 600ms | 5s |
| 500% | 400ms | 2.8s |
| 600% | 300ms | 1.8s |
| 800% | 180ms | 900ms |
| 1000% | 120ms | 700ms |

Electrical Specifications

| | |
|-------------------------------|-------------------------|
| Voltage | 32VDC |
| Reset Type | Type III – Manual Reset |
| Limited Short Circuit Current | 1000A (UL1077) |
| Insulation Resistance | DC 500V 100M ohm 5 sec |
| Dielectric Strength | AC 1500V 1 minute |

Material Specifications

| | |
|-----------------------|---|
| Body Reset button | Thermoplastic (UL94V-0) Thermoset |
| Terminals | Battery – Copper Plate (0.58”), Auxiliary – Zinc Plate (0.66”) |
| Mounting Type | Chassis Mount |
| Operation Temperature | -10°C ~ 60°C |
| Studs Torque | 3.0±0.3 N.m |

Ambient Temperature Correction Factor

| | |
|--------|-------------------------------|
| -5 °C | (3A-4A)x 1.2, (5A-30A)x 1.12 |
| +40 °C | (3A-4A)x 0.92, (5A-30A)x 0.94 |

The time/current characteristic curve depends on the ambient temperature prevailing. In order to eliminate nuisance tripping. Please multiply the current breaker current ratings by the derating factor shown below.

Example:

| | | |
|---------------------------|------------------|--|
| Normal Continuous Current | 10A | |
| Ambient Temperature | 40 °C | |
| Multiplication Factor | 0.94 | |
| Recommended Rating | $10A/0.94=10.6A$ | |
| Select the Nearest Rating | 11A | |

Rev Date of issue Revision Notes

Designed Approved

| | | | | |
|---|------------|-----------------|----|----|
| D | 11-29-2022 | Initial Drawing | RC | OF |
|---|------------|-----------------|----|----|