

Screw plug

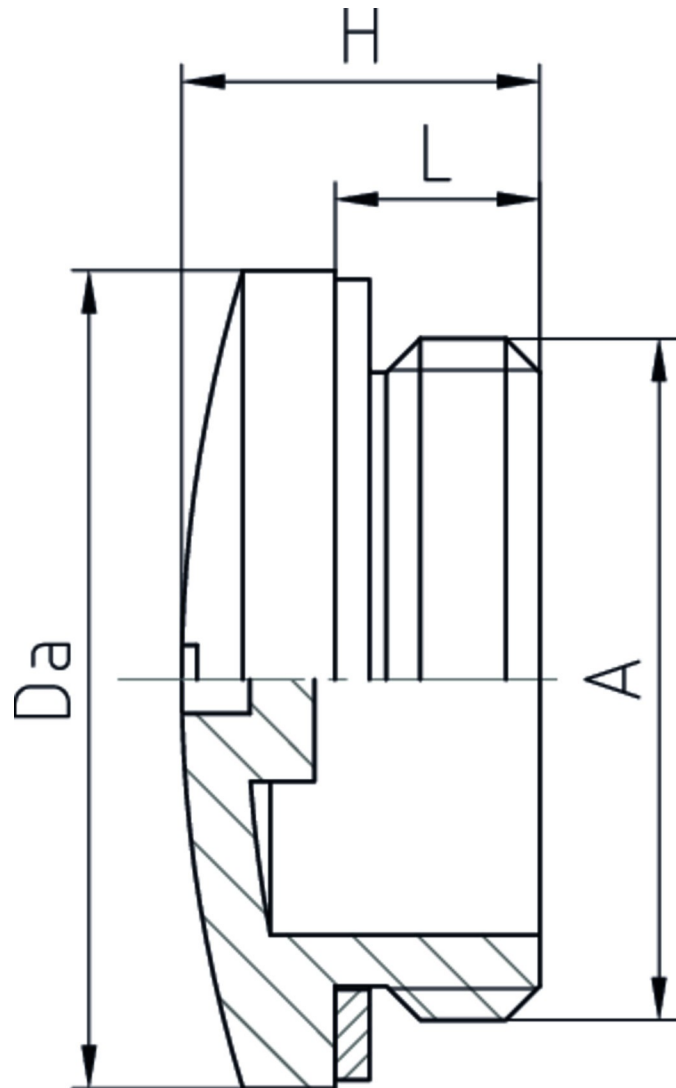
10.xx15 PAVzzzz

Screw plug	Polyamide PA6 V-2
Sealing ring for connecting thread	Chloroprene rubber CR
Connecting thread	metric, as per EN 60423



Properties

	<ul style="list-style-type: none"> for secure sealing of unused threaded or clearance hole
Temperature range	-40 °C +100 °C
Protection grade	IP66 / IP68 - 5 bar Type 4X
Test standard	UL 514B
UL / CSA-File	E140310




Features




RAL 9005

A	L	H	Da	VPE	Part No.
M12x1,5	6	10	15	100	10.1215 PAVSW

A	L	H	Da	 VPE	Part No.
M16x1,5	6	10,5	20	100	10.1615 PAVSW
M20x1,5	6	10,5	24	100	10.2015 PAVSW
M25x1,5	8	13	30	100	10.2515 PAVSW
M32x1,5	8	13,5	37	100	10.3215 PAVSW
M40x1,5	8	14	46	50	10.4015 PAVSW
M50x1,5	10	16,5	56	50	10.5015 PAVSW
M63x1,5	12	17	70	50	10.6315 PAVSW




RAL 7035

A	L	H	Da	 VPE	Part No.
M12x1,5	6	10	15	100	10.1215 PAV7035
M16x1,5	6	10,5	20	100	10.1615 PAV7035
M20x1,5	6	10,5	24	100	10.2015 PAV7035
M25x1,5	8	13	30	100	10.2515 PAV7035
M32x1,5	8	13,5	37	100	10.3215 PAV7035
M40x1,5	8	14	46	50	10.4015 PAV7035
M50x1,5	10	16,5	56	50	10.5015 PAV7035
M63x1,5	12	17	70	50	10.6315 PAV7035



RAL 7001

A	L	H	Da	 VPE	Part No.
M12x1,5	6	10	15	100	10.1215 PAV
M16x1,5	6	10,5	20	100	10.1615 PAV
M20x1,5	6	10,5	24	100	10.2015 PAV
M25x1,5	8	13	30	100	10.2515 PAV
M32x1,5	8	13,5	37	100	10.3215 PAV
M40x1,5	8	14	46	50	10.4015 PAV
M50x1,5	10	16,5	56	50	10.5015 PAV
M63x1,5	12	17	70	50	10.6315 PAV