

## Metal Reducers

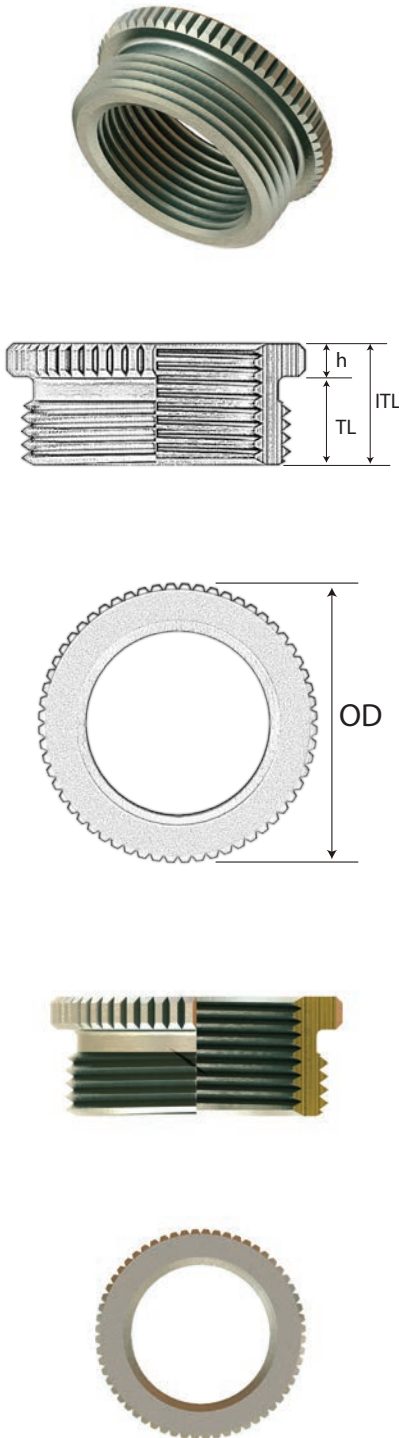
Nickel plated brass fittings, PG to PG, metric to PG, metric to metric

Metric & PG  
Thread

Reducers are ideal when a threaded hole exists and you need to secure a smaller thread or different style of thread. Made of nickel plated brass, SAB's reducers are very durable.

### Technical data:

Material:	Brass, Nickel Plated
Attachment thread:	EN 60423 (Metric) DIN 40430 (PG)



Part Number	Thread Type OT (male)	Thread Type IT (female)	Inner Thread Length ITL inches	Outer Thread Length OTL inches	Outer Diameter OD inches	Height (h) inches
<b>PG-PG</b>						
RED-01	PG 9	PG 7	0.905	0.236	0.669	0.098
RED-02	PG 11	PG 7	1.023	0.236	0.787	0.118
RED-03	PG 11	PG 9	1.023	0.236	0.787	0.118
RED-04	PG 13.5	PG 7	1.122	0.256	0.866	0.098
RED-05	PG 13.5	PG 9	1.122	0.256	0.866	0.098
RED-06	PG 13.5	PG 11	1.122	0.256	0.866	0.098
RED-07	PG 16	PG 7	1.201	0.256	0.945	0.118
RED-08	PG 16	PG 9	1.201	0.256	0.945	0.118
RED-09	PG 16	PG 11	1.181	0.236	0.945	0.118
RED-10	PG 16	PG 13.5	1.181	0.236	0.945	0.118
RED-11	PG 21	PG 11	1.457	0.276	1.181	0.118
RED-12	PG 21	PG 13.5	1.457	0.276	1.181	0.118
RED-13	PG 21	PG 16	1.457	0.276	1.181	0.118
RED-14	PG 29	PG 13.5	1.850	0.315	1.535	0.138
RED-15	PG 29	PG 16	1.850	0.315	1.535	0.138
RED-16	PG 29	PG 21	1.850	0.315	1.535	0.138
RED-17	PG 36	PG 21	2.323	0.354	1.969	0.138
RED-18	PG 36	PG 29	2.323	0.354	1.969	0.138
RED-19	PG 42	PG 29	2.638	0.394	2.244	0.157
RED-20	PG 42	PG 36	2.638	0.394	2.244	0.157
RED-21	PG 48	PG 36	2.914	0.394	2.520	0.157
RED-22	PG 48	PG 42	2.914	0.394	2.520	0.157
<b>PG-Metric</b>						
RED-40	PG 11	M16x1.5	1.023	0.236	0.787	0.118
RED-23	PG 16	M20x1.5	1.181	0.236	0.945	0.118
RED-24	PG 21	M20x1.5	1.457	0.276	1.181	0.118
RED-25	PG 21	M25x1.5	1.457	0.276	1.181	0.118
RED-26	PG 29	M25x1.5	1.850	0.315	1.535	0.138
RED-41	PG 29	M32x1.5	1.850	0.315	1.535	0.138
RED-42	PG 36	M40x1.5	2.323	0.354	1.969	0.138
<b>Metric-Metric</b>						
RED-27	M16x1.5	M12x1.5	0.965	0.256	0.709	0.118
RED-28	M20x1.5	M12x1.5	1.122	0.256	0.866	0.118
RED-29	M20x1.5	M16x1.5	1.122	0.256	0.866	0.098
RED-30	M25x1.5	M16x1.5	1.358	0.256	1.102	0.098
RED-31	M25x1.5	M20x1.5	1.496	0.315	1.181	0.138
RED-32	M32x1.5	M20x1.5	1.850	0.315	1.535	0.138
RED-33	M32x1.5	M25x1.5	1.850	0.315	1.535	0.138
RED-34	M40x1.5	M25x1.5	2.323	0.354	1.969	0.138
RED-35	M40x1.5	M32x1.5	2.323	0.354	1.969	0.138
RED-36	M50x1.5	M32x1.5	2.914	0.394	2.520	0.157
RED-37	M50x1.5	M40x1.5	2.914	0.394	2.520	0.157
RED-38	M63x1.5	M40x1.5	3.209	0.394	2.815	0.315
RED-39	M63x1.5	M50x1.5	3.209	0.394	2.815	0.315