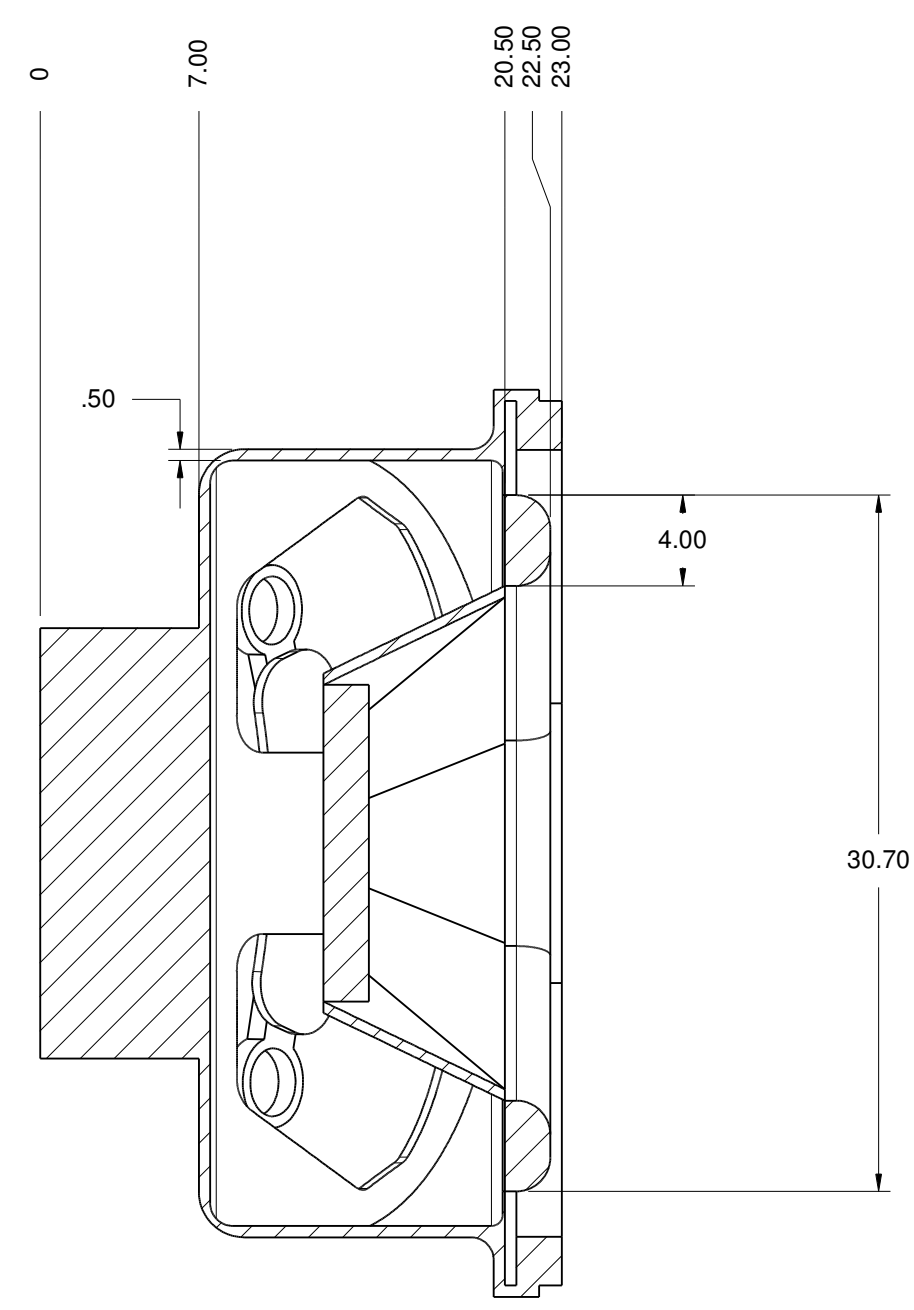
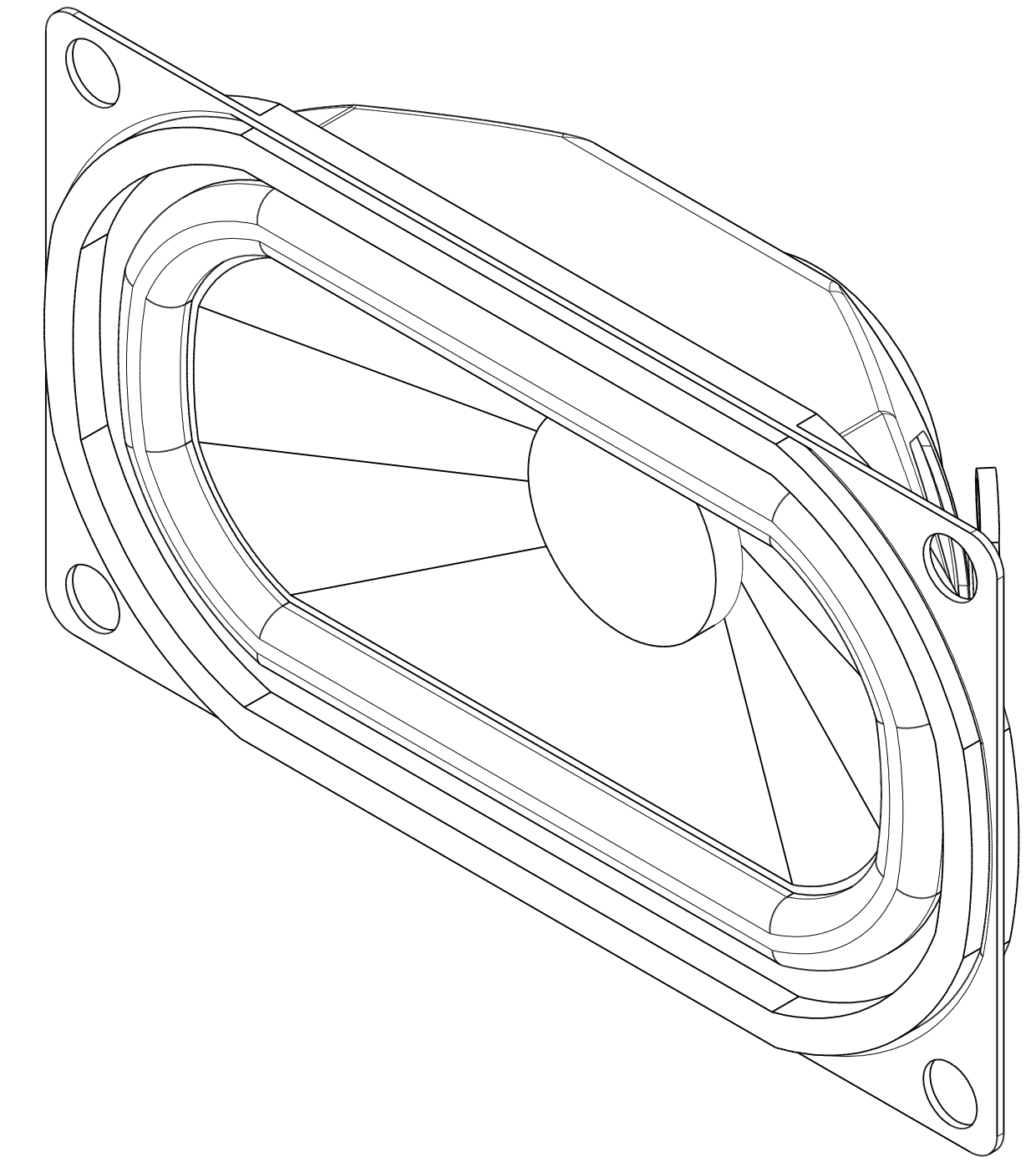
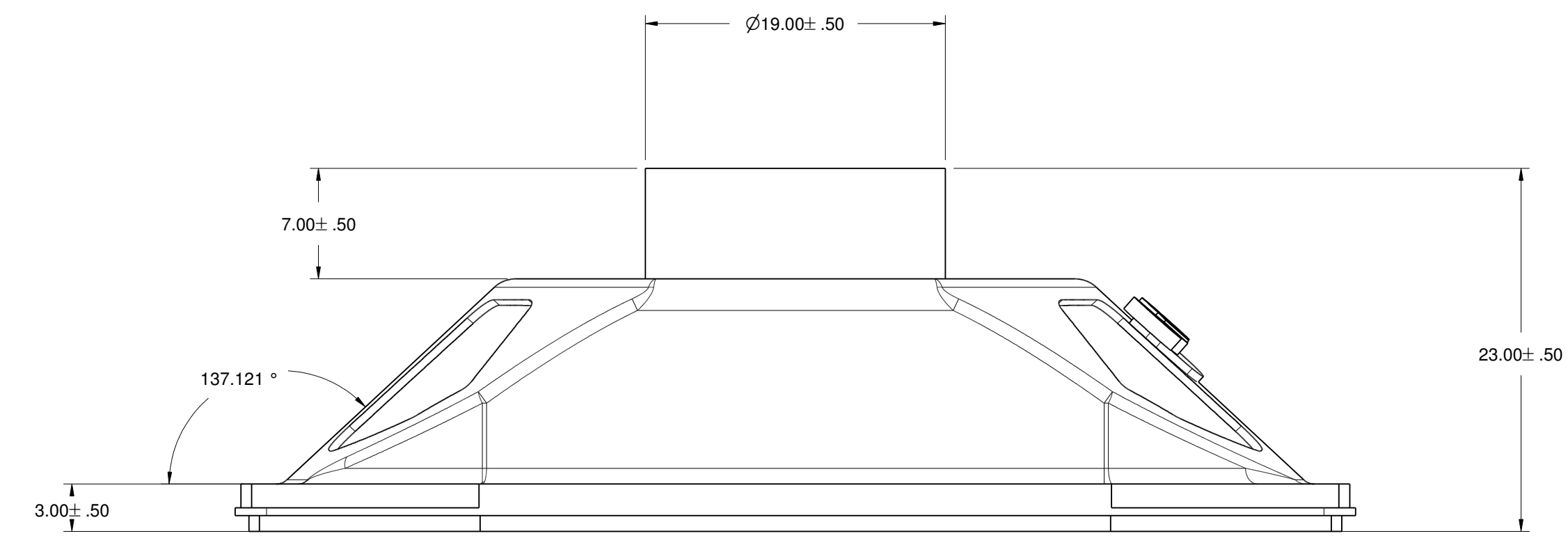
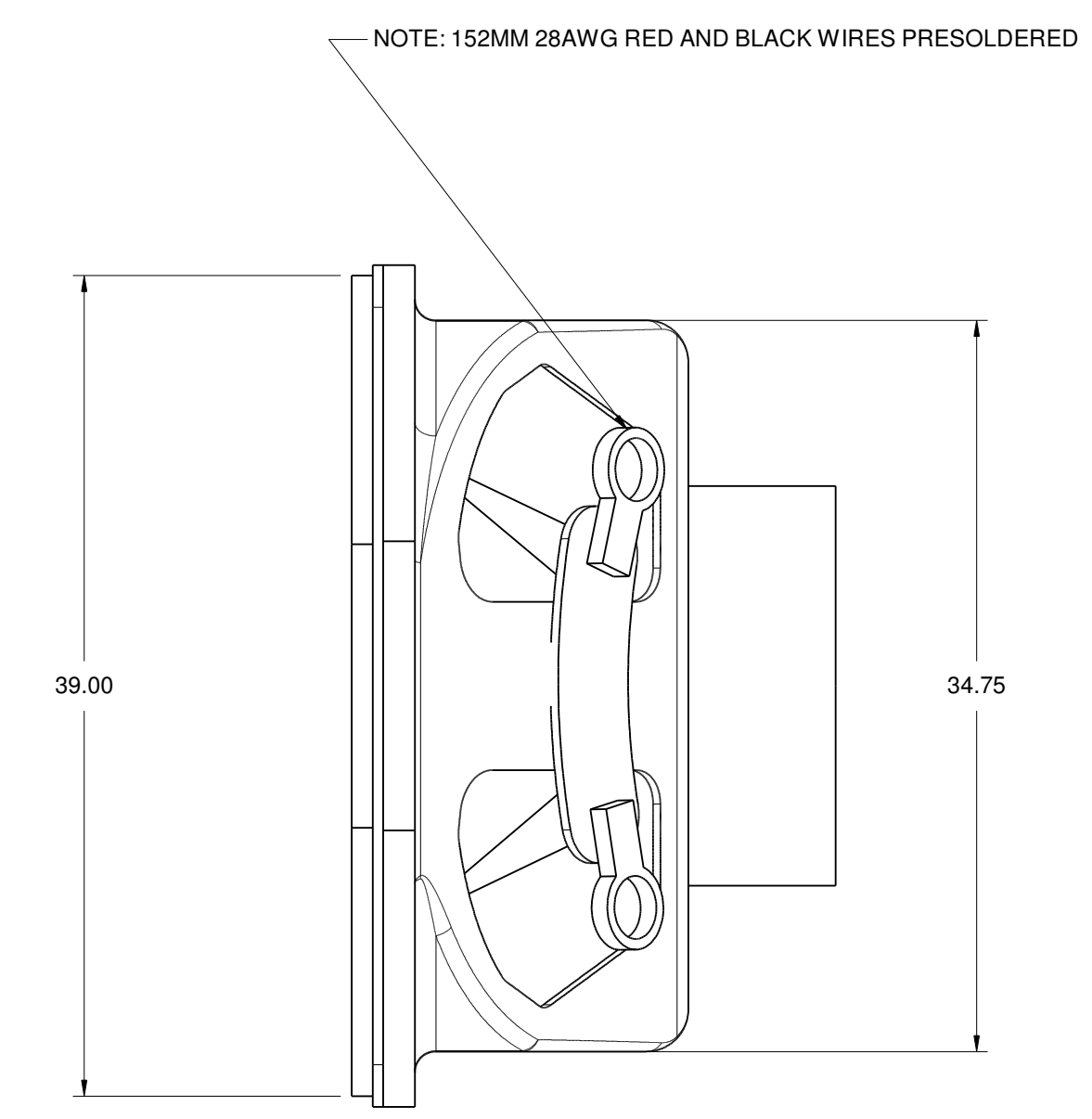
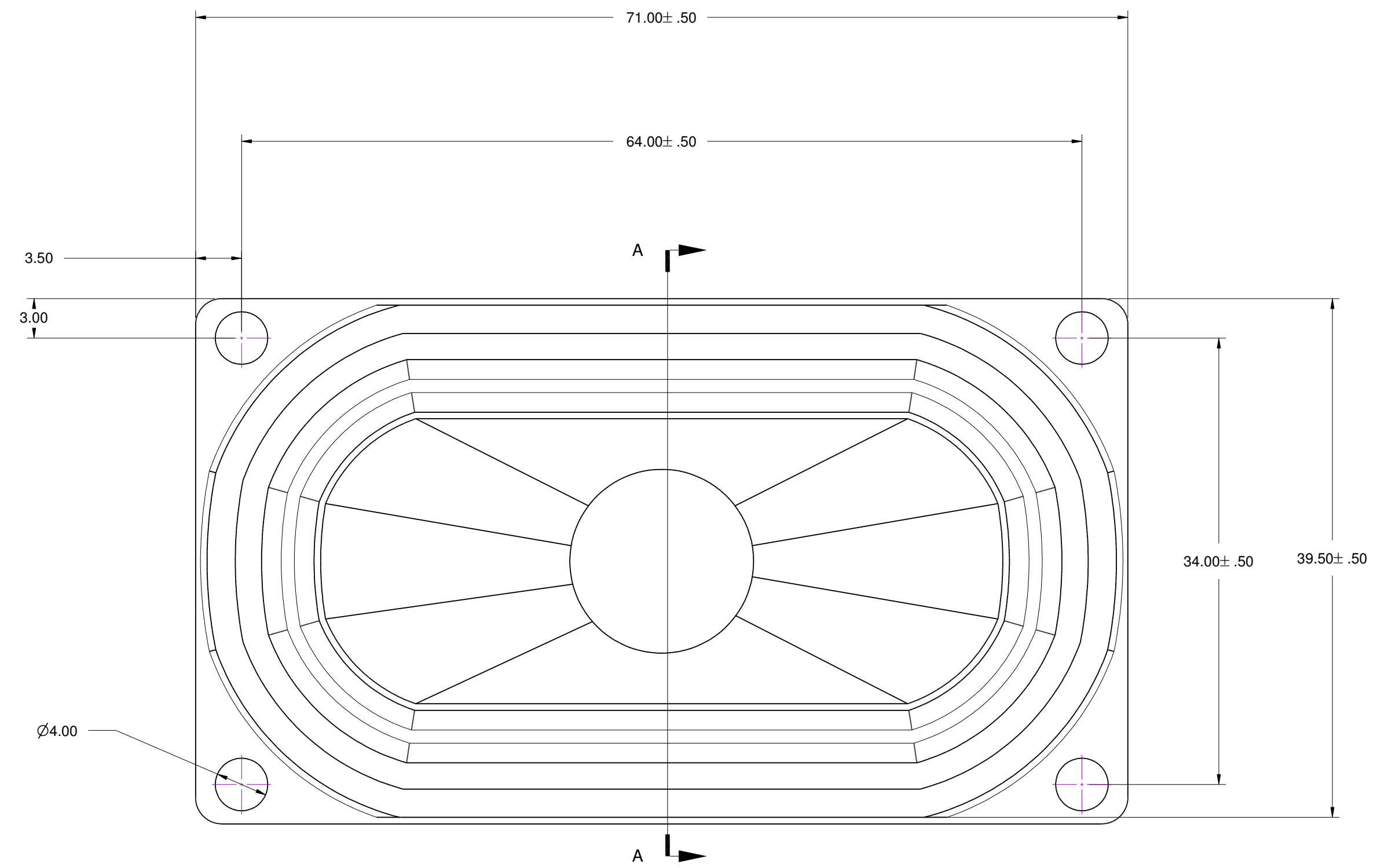




REVISIONS				
ZONE	REV	DESCRIPTION	DATE	APPROVED



Section A-A



SIZE	FSCM NO.	DWG NO.	REV
D		SP-1741-1	
SCALE	1:1	SHEET	1 OF 1