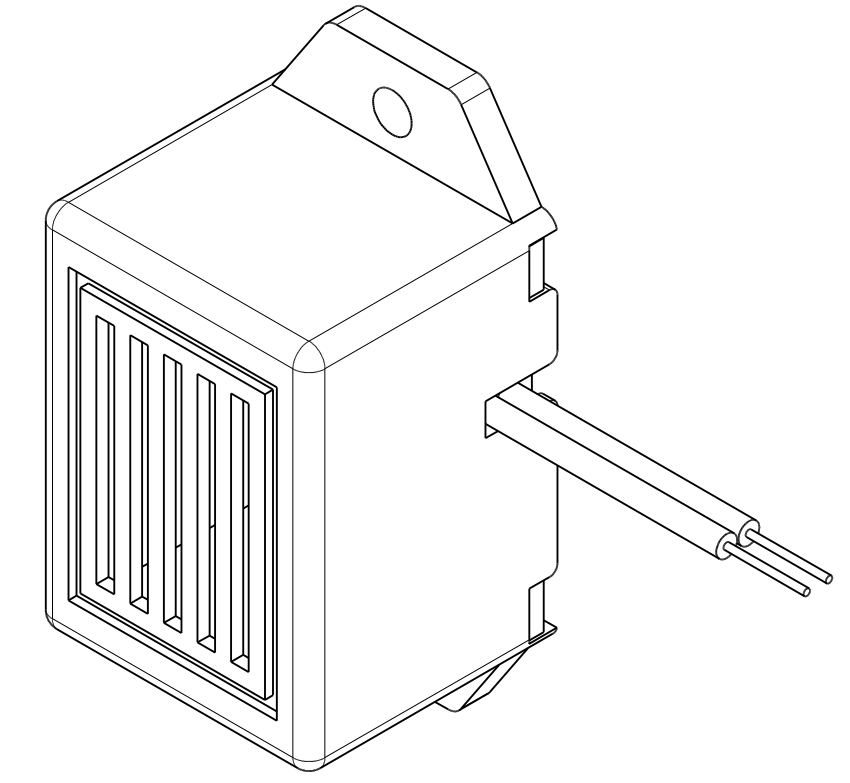
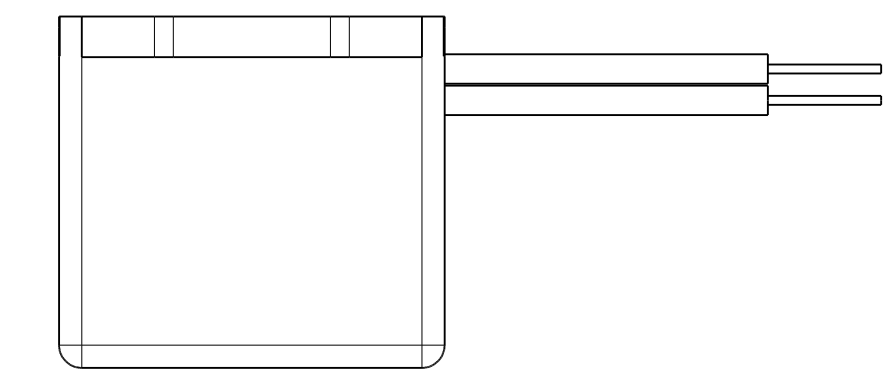
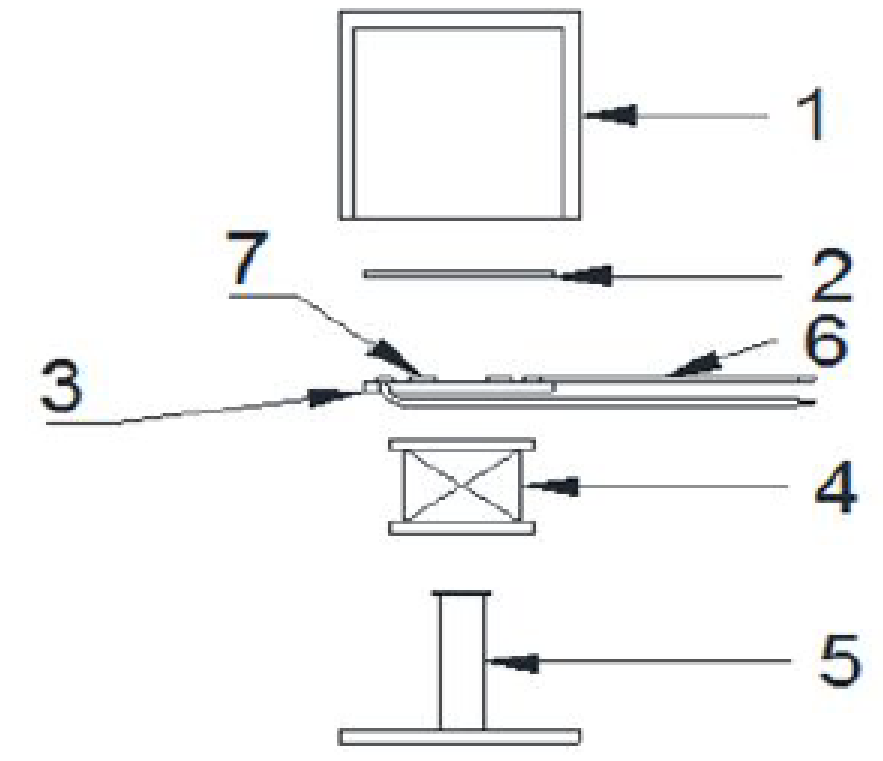
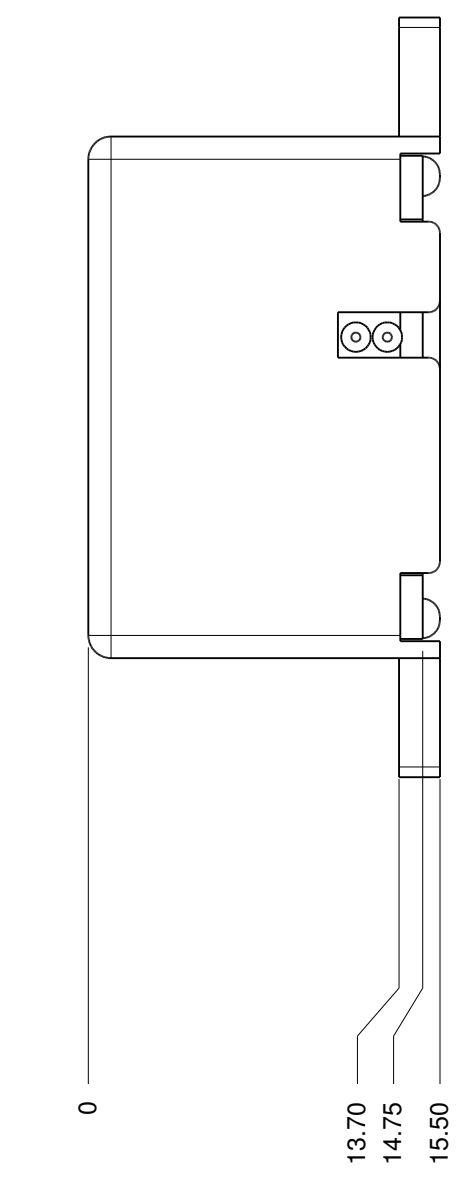
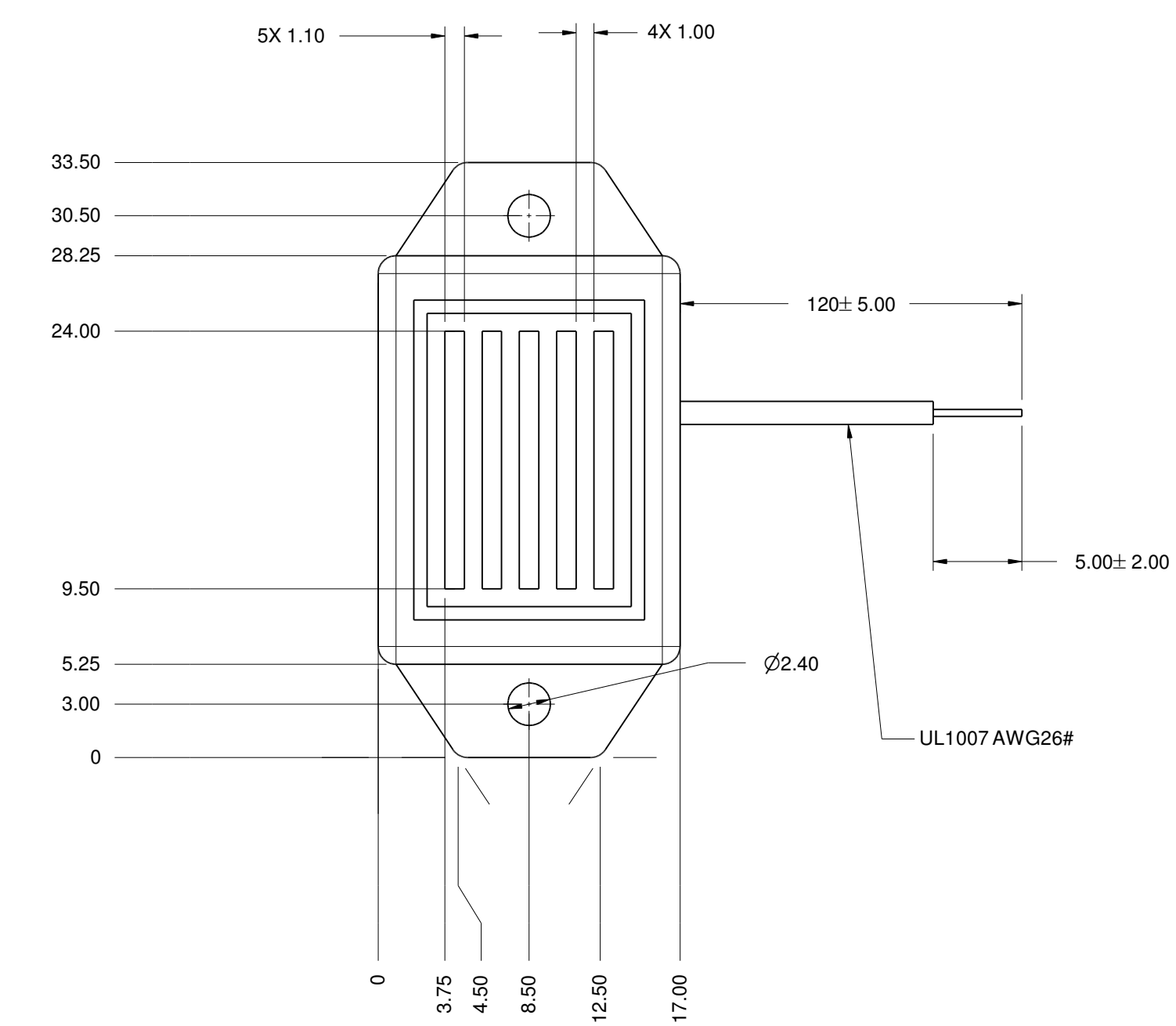


REVISIONS				
ZONE	REV	DESCRIPTION	DATE	APPROVED



No.	Part Name	Material	Quantity
1	Case	ABS	1
2	Diaphragm	Polyetherimide	1
3	Cover/PCB	Epoxy	1
4	Wire	Copper	3
5	Core	Fe	1
6	Wire	UL1007/AWG26#	2
7	Transistor	Epoxy + copper	1



ALL DIMENSIONS +/- 0.5MM UNLESS NOTED



SIZE	FSCM NO.	DWG NO.	REV
D		MB-2317	
SCALE	1:1	SHEET	1 OF 1