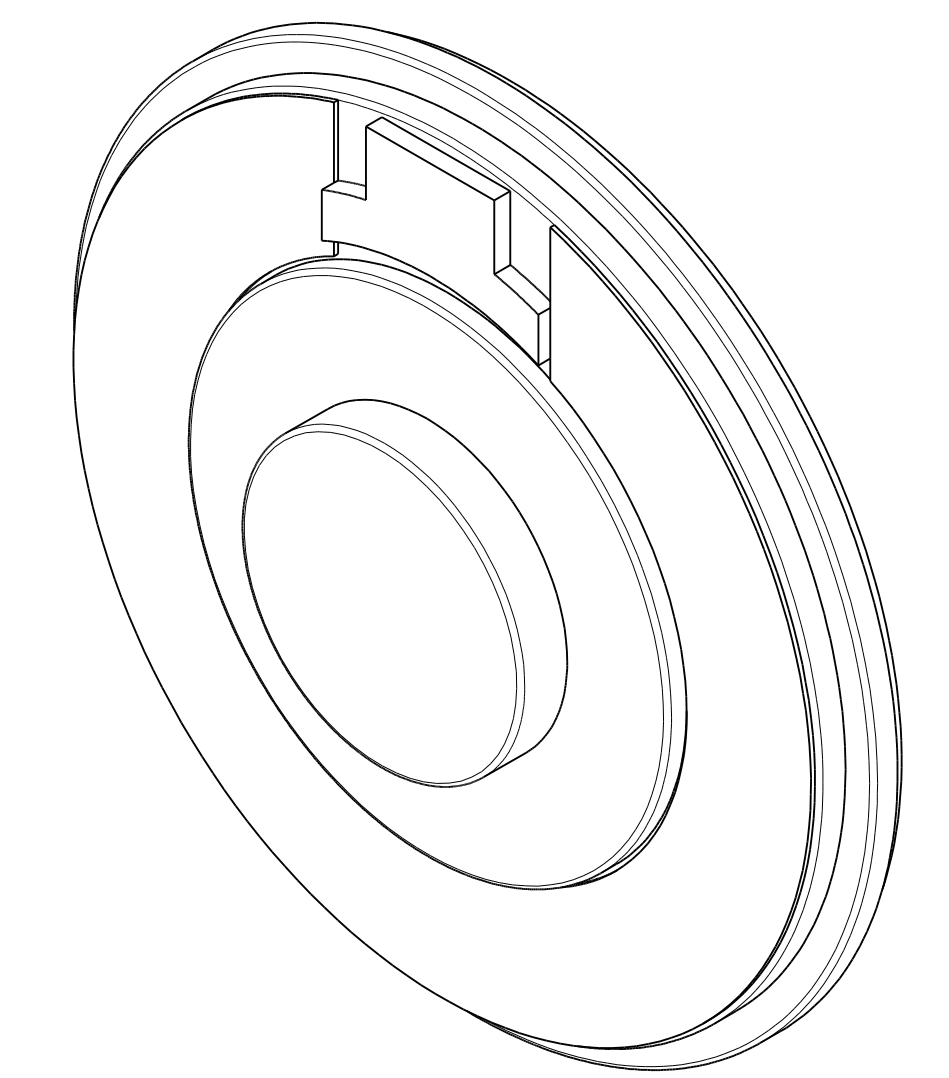
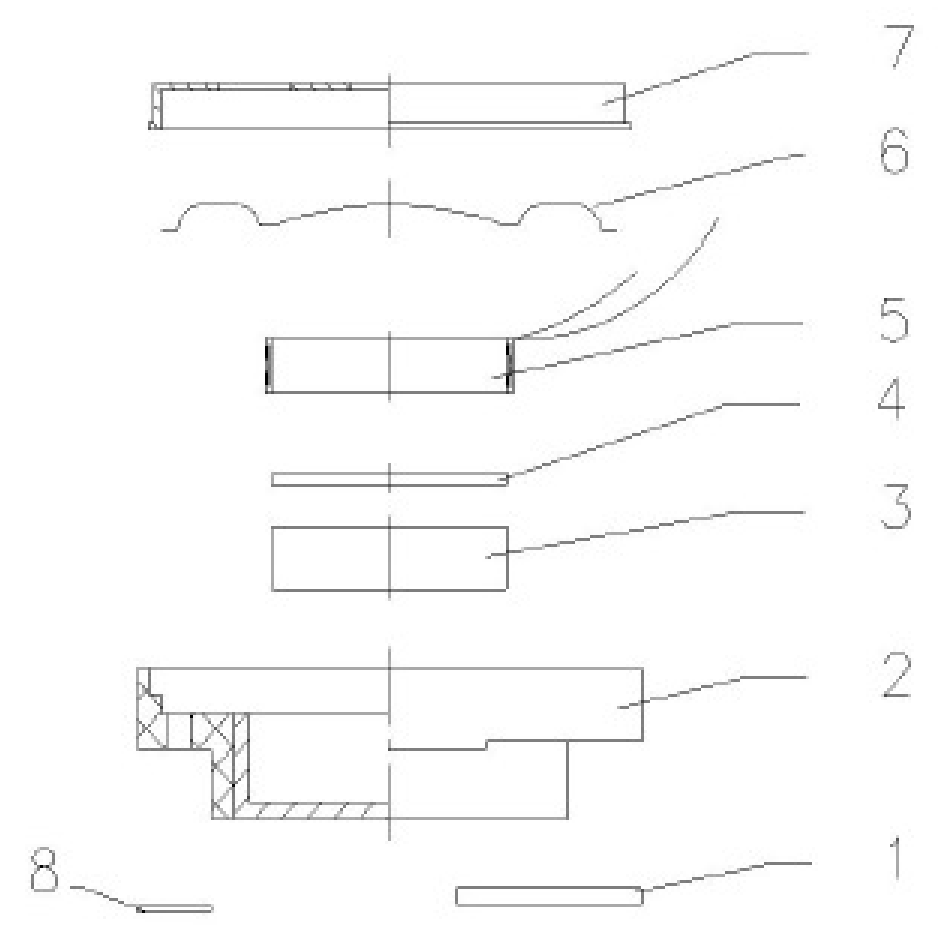
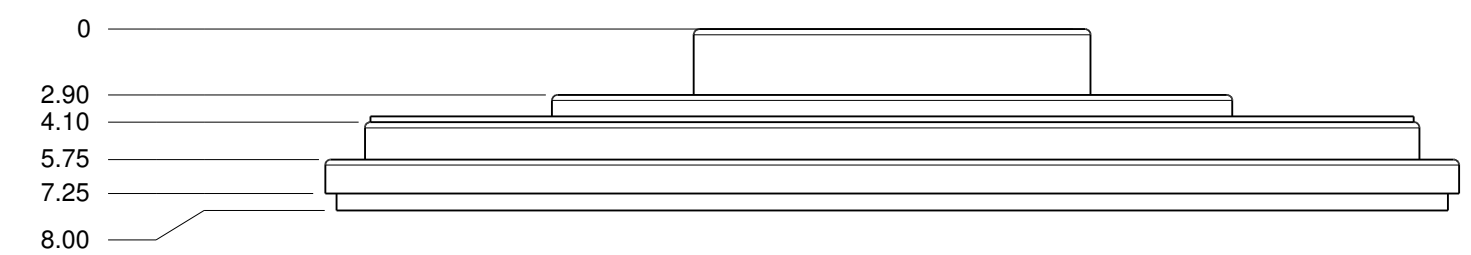
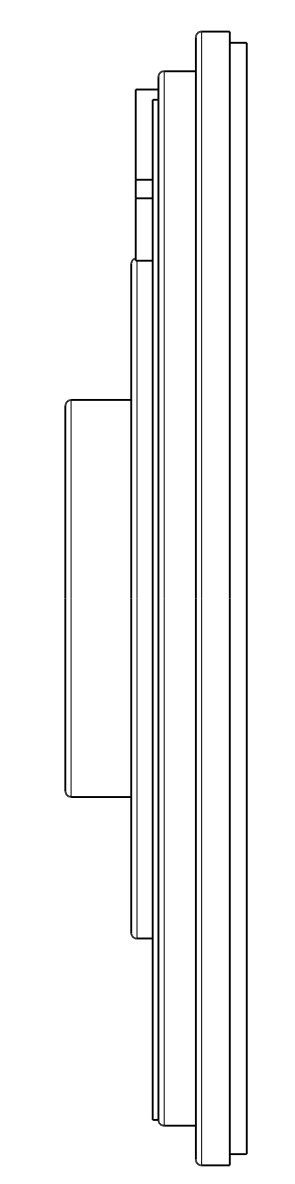
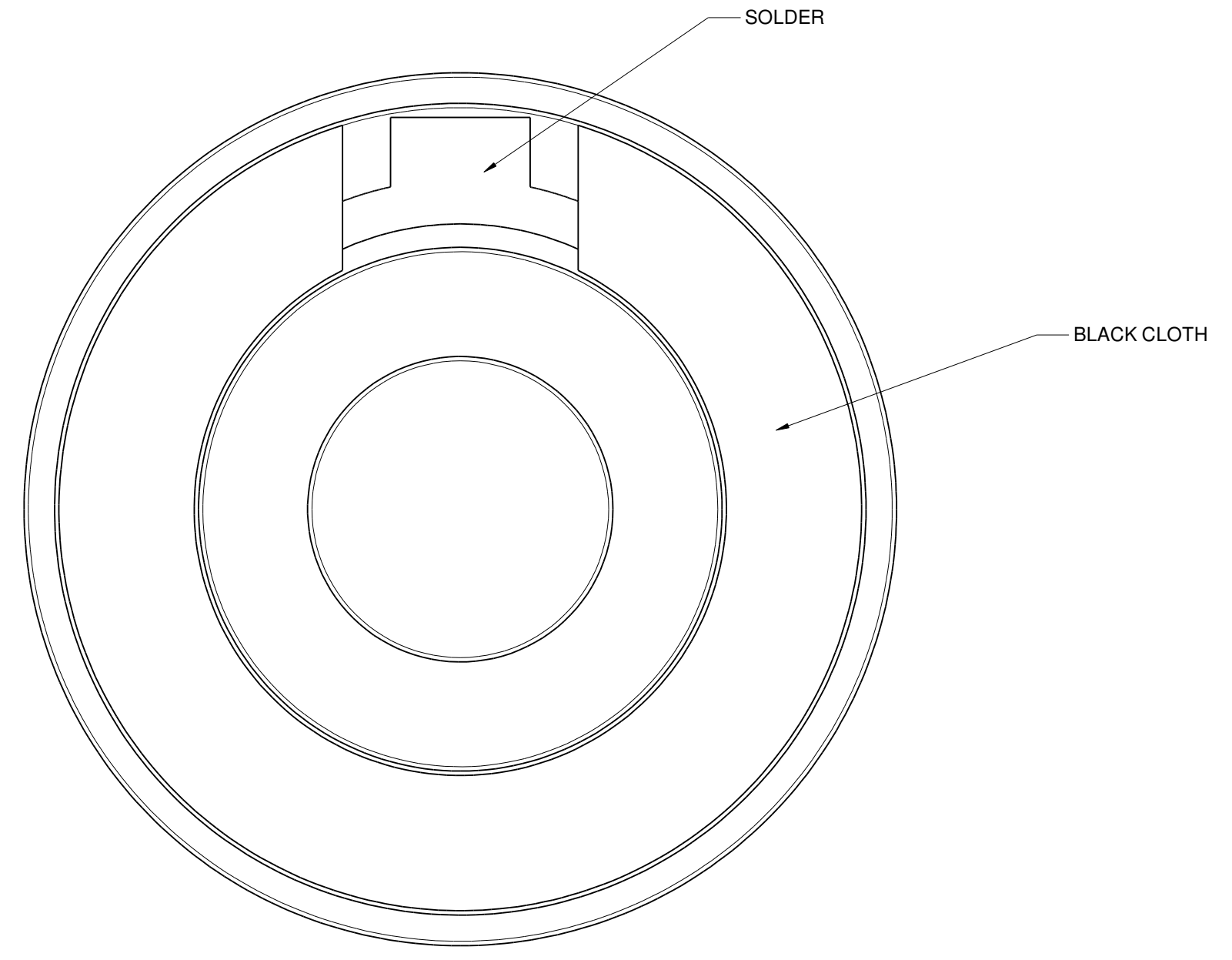


REVISIONS				
ZONE	REV	DESCRIPTION	DATE	APPROVED



No.	Part Name	Material	Quantity
1	PCB	FR-4	1
2	Frame	SPCC	1
3	Magnet	Nd Fe B	1
4	Plate	SPCC	1
5	Voice Coil	PL-13.3-2.4-7.4Ω	1
6	Diaphragm	Black PET	1
7	Gasket	Black Paper	1
8	Silk Screen	Black Cloth	1



ALL TOLERANCES +/- .5MM UNLESS NOTED



SIZE	FSCM NO.	DWG NO.	REV
D		SP-5008	
SCALE	SHEET		1 OF 1
1:1			