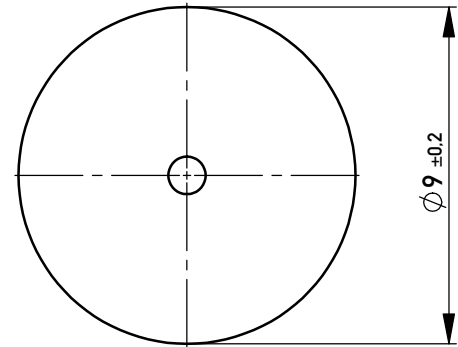
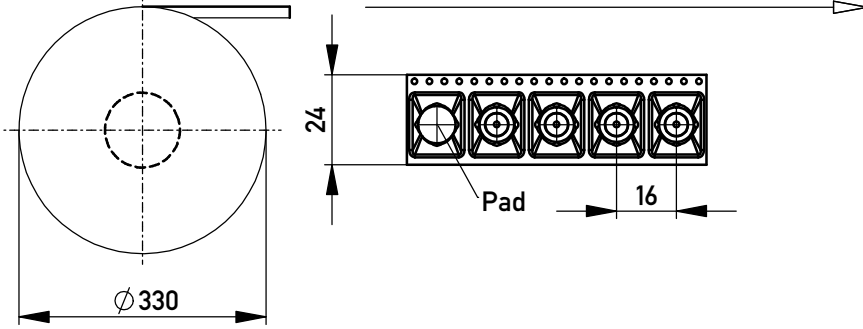
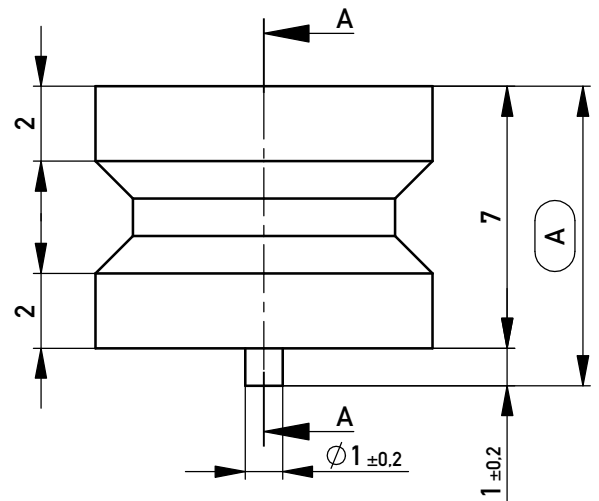
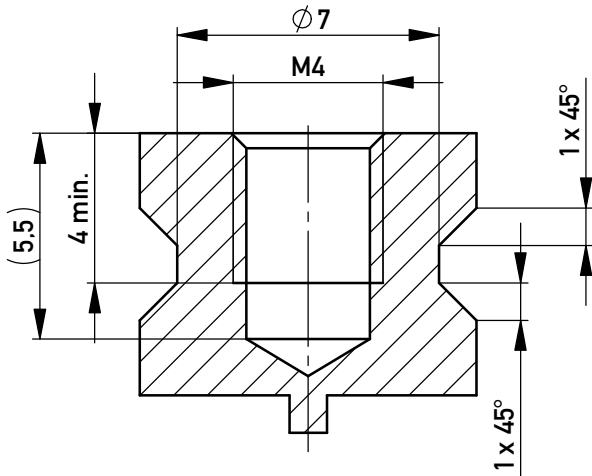


Verpackt im Gurt in Anlehnung an DIN IEC 60286-3  
*tape on reel packaging according to DIN IEC 60286-3*  
 Verpackungseinheit: 430 Stück  
*packaging unit: 430 pcs*

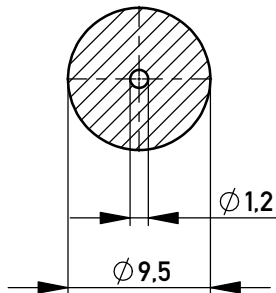
Abspulrichtung - Reel off direction



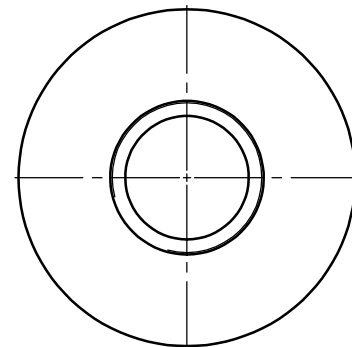
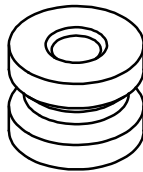
Schnitt A-A /  
*cross section A-A*



Layout - Vorschlag  
*PCB - Layout proposal*  
 M 2:1  
*scale 2:1*



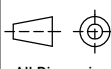

M 2:1 / scale 2:1



5-10µm Sn matt über 1-3µm Ni /  
 5-10µm sn matt over 1-3µm ni

Oberfläche (A) / plating (A)

Copyright by ERNI Production GmbH & Co. KG  
 Proprietary notice pursuant to ISO 16016 to be observed.

Information:		Tolerances		Scale	5:1
All rights reserved. Only for Information. To ensure that this is the latest version of this drawing, please contact one of the ERNI companies before using.		All Dimensions in mm		Material:	CuZn39Pb3
Subject to modification without prior notice. Drawing will not be updated.		Designation		<b>PowerElement SMD</b> <i>female thread M4 with peg</i>	
 www.ERNI.com		<b>225869</b>			
b	09.05.2017			I A4	
Index	Date			Class POWELM	