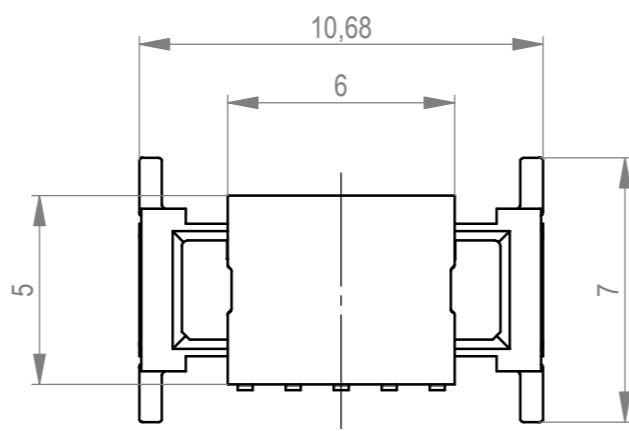
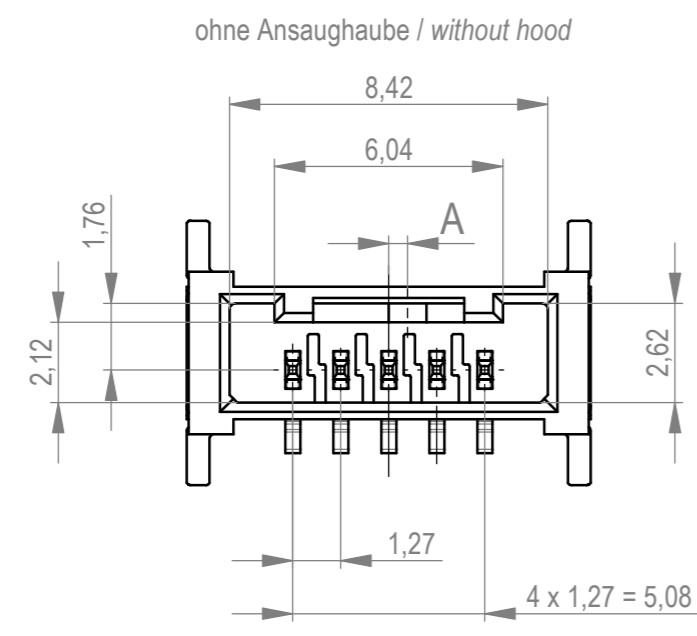
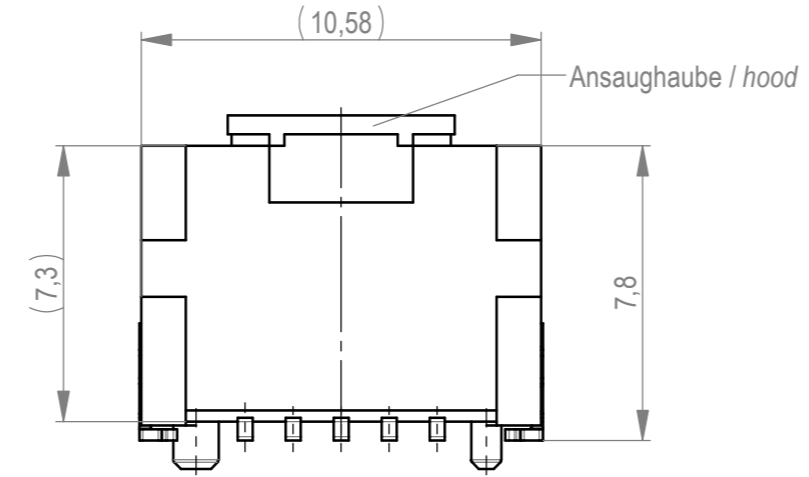
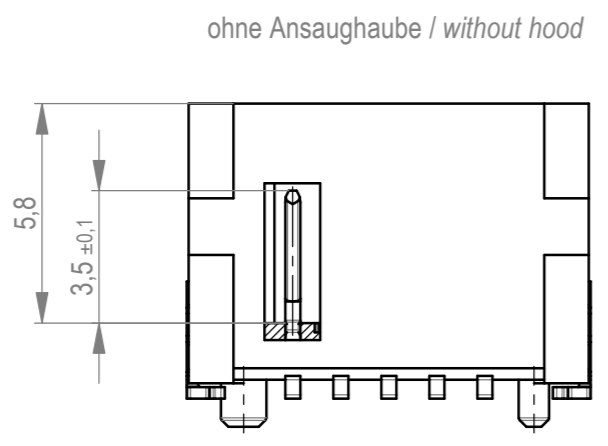
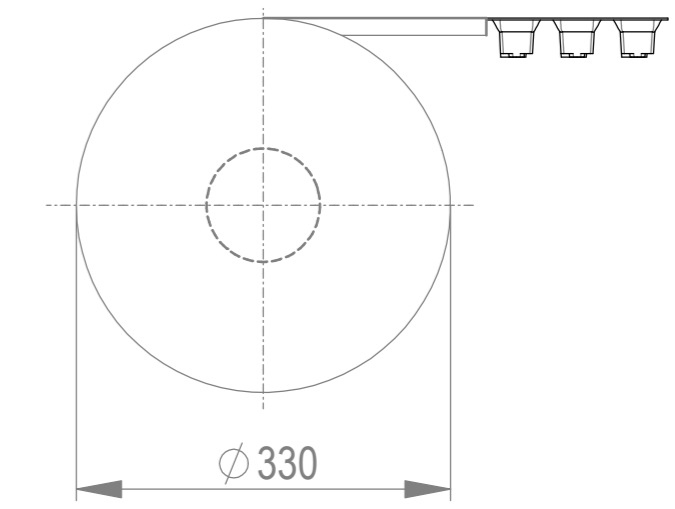
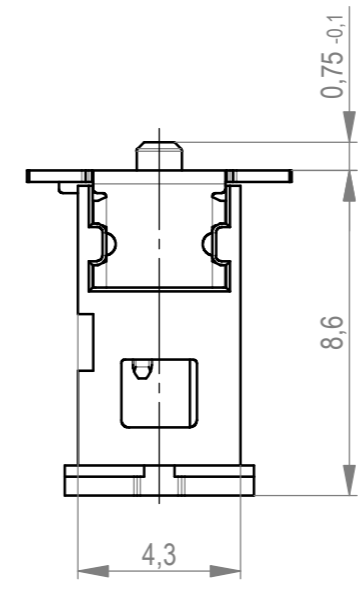
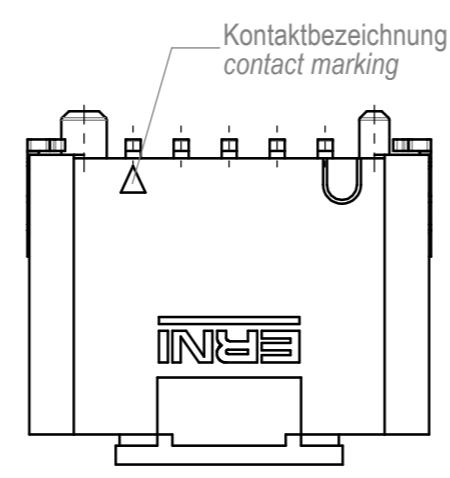
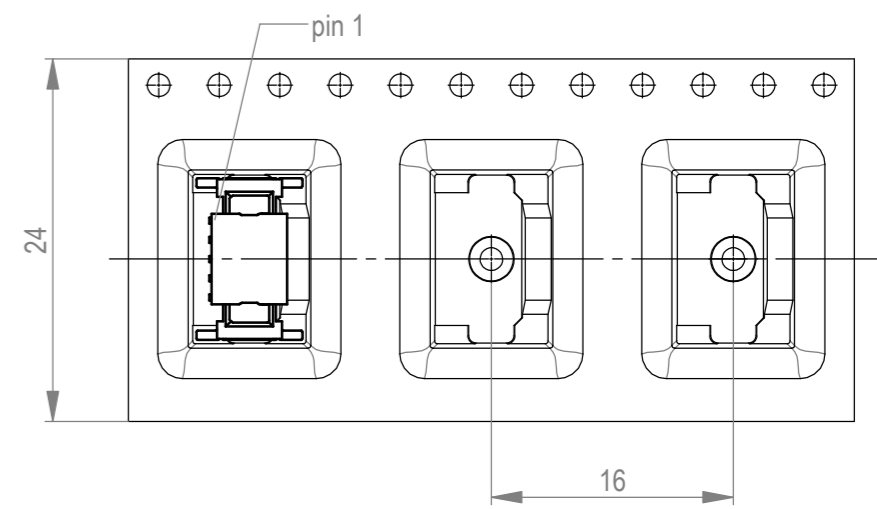


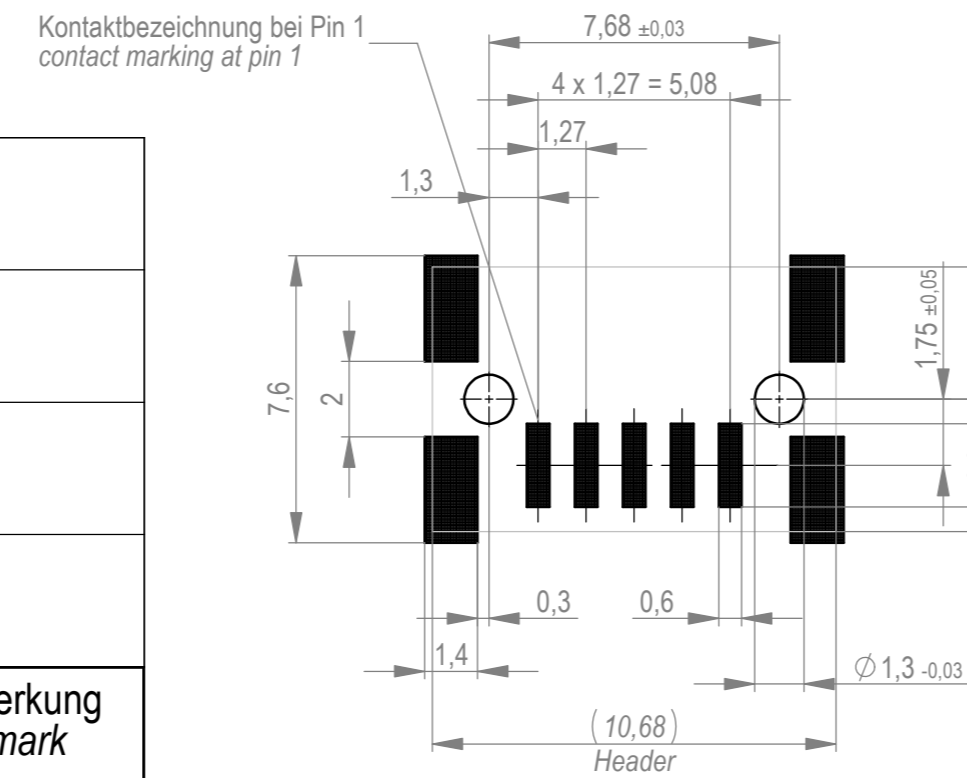
Verpackt im Gurt in Anlehnung an DIN IEC 60286-3  
 tape on reel packaging according to DIN IEC 60286-3  
 Verpackungseinheit: 440 Stück  
 packaging unit: 440 pcs



Abspulrichtung - Reel off direction



Layoutvorschlag  
recommended layout



Anforderungsstufe 1  
performance level 1

Kontaktbereich vergoldet  
mating area gold plating

Anschlussbereich verzinkt 4-6 µm  
terminal area 4-6 µm tin plating

Koplanarität der Anschlüsse ≤ 0,1 mm  
coplanarity area of termination ≤ 0,1 mm

504408		rot red	1,5	
504407		grün green	1,5	
504406		blau blue	0,5	
504405		schwarz black	0,5	
Ident-Nr. part-no.	Codierung coding	Farbe colour	A	Bemerkung remark

Dimension no.	Tolerances ISO 2768-FH ISO 8015	All Dimensions in mm	Scale 5:1 Material
Customer drawing: All rights reserved. Only for information. To ensure that this is the latest version of this drawing, please contact one of the ERNI companies before using.	Subject to modification without prior notice. Drawing will not be updated.		MicroBridge Male Straight SMT 05-pin <b>504404</b>
e Index	14.09.2020 Date	ERNI International AG Zürichstrasse 72 8306 Brüttisellen - Zürich Switzerland	Class MCBP

Die deutsche Version dieser Zeichnung dient nur zur Einweisung der Handlung. Bei Abweichungen vom englischen Original gilt das englische Original. This drawing has been created for convenience only and may deviate from the original. In case of any deviation the English version shall prevail.

1 2 3 4 5 6 7 8 9 10 11 12

A B C D E F G H

A B C D E F G