

Specifications

Electrical Ratings	50mA @ 48VDC	Actuator Travel	.30 ± .15mm
Electrical Life	100,000 cycles typical	Dielectric Strength	1000Vrms min
Contact Resistance	<50mΩ initial	Insulation Resistance	>100MΩ min
Actuation Force	180 ± 50gF 260 ± 50gF	Operating Temperature	-40°C to 85°C
		Storage Temperature	-40°C to 85°C

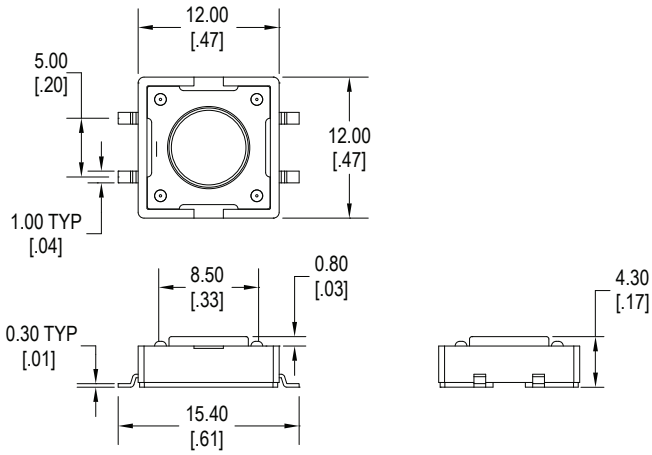
Materials

Actuator	PA 6T Arlen, UL94V HB
Housing	PA 6T Arlen, UL94V HB
Cover	Steel, Tin Plated
Contacts	Phosphor Bronze, Silver Plated
Terminals	Brass, Silver Plated

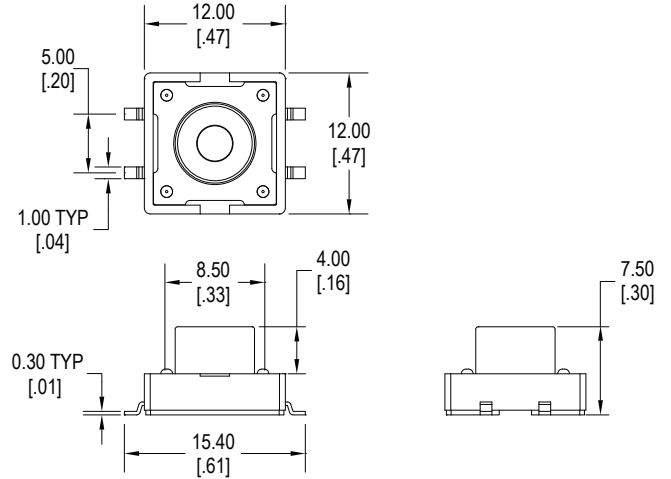
Ordering Information

1. Series	CS1103	T	F180	R
CS1103				
2. Actuator Options				
4.3				
7.5				
G				
T				
4. Actuation Force				
F180 = 180gF				
F260 = 260gF				
5. Packaging				
R = Tape & Reel				

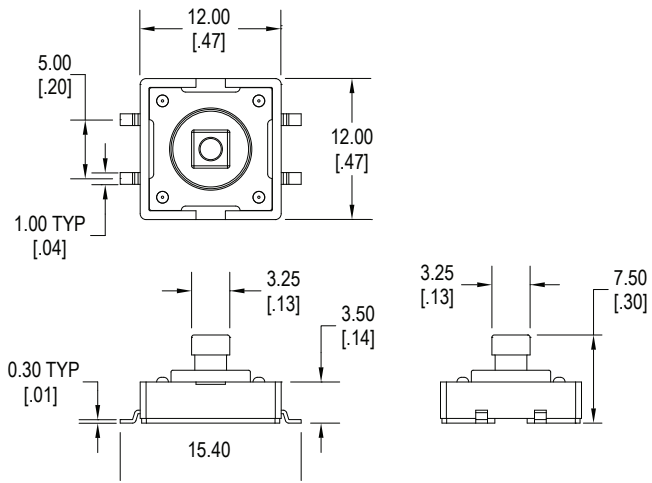
Dimensions



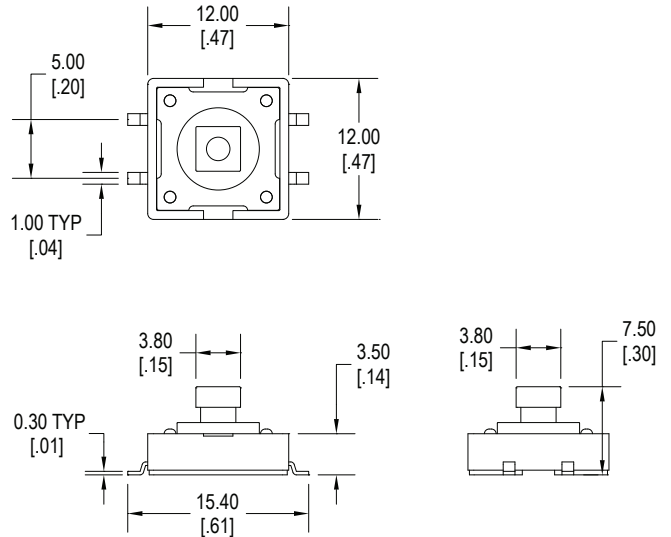
4.3 Actuator Length



7.5 Actuator Length



G Actuator



T Actuator

Schematic & PC Layout

