

Specifications

Electrical Ratings	50mA @ 50VDC	Dielectric Strength	250Vrms min
Electrical Life	100,000 cycles typical	Insulation Resistance	>100MΩ min
Contact Resistance	<50mΩ initial	Operating Temperature	-40°C to 85°C
Actuation Force	100, 160, 260 ± 50gF	Storage Temperature	-40°C to 85°C
Actuation Travel	.25 ± .1mm		

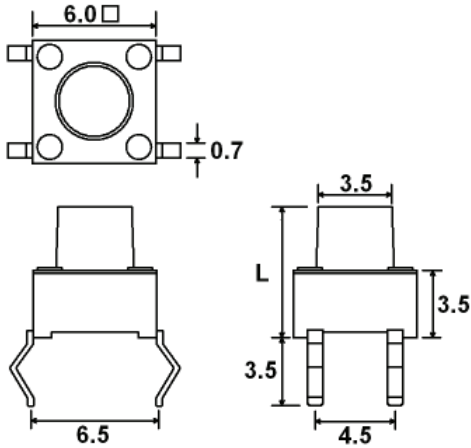
Materials

Actuator	6/6 Nylon
Housing	6/6 Nylon
Cover	Polyester
Contacts	Phosphor Bronze, Silver Plated
Terminals	Brass, Silver Plated

Ordering Information

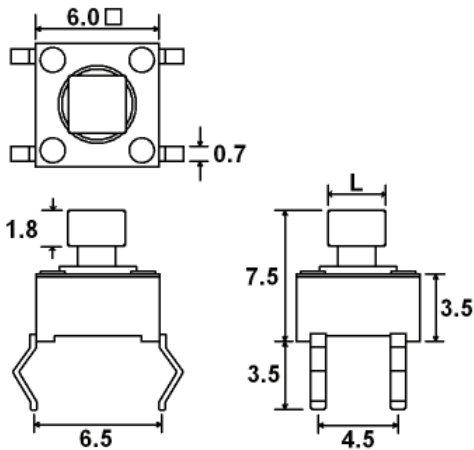
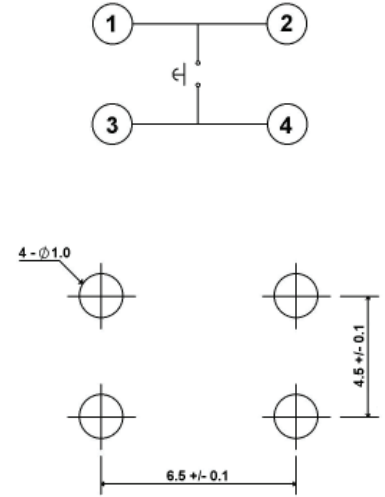
1. Series	CT1102	5.0	F160	C053
CT1102 = Standard CT1102P = with grounding pin				
2. Actuation Length "L"				
4.3 = 4.3mm				
5.0 = 5.0mm				
7.0 = 7.0mm				
7.5 = 7.5mm				
8.0 = 8.0mm				
9.5 = 9.5mm				
11.0 = 11.0mm				
11.5 = 11.5mm				
12.0 = 12.0mm				
13.0 = 13.0mm				
14.5 = 14.5mm				
15.0 = 15.0mm				
17.0 = 17.0mm				
S2.4 = 2.4mm square head				
S2.8 = 2.8mm square head				
3. Actuator Force				
F100 = 100gF				
F160 = 160gF				
F260 = 260gF				
4. Cap Options	Cap Colors			
Blank = No Cap				
C01				
C02	** See Cap Options for color availability			
C03	** Caps available for S2.8 actuator only			
C04				
C05				

Dimensions

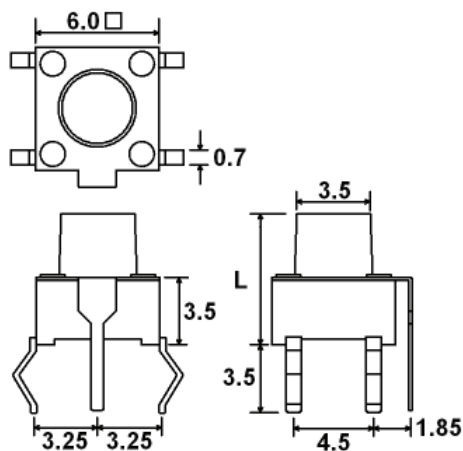
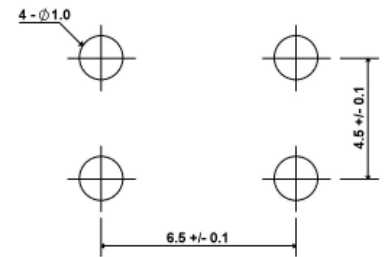


Part Number	"L" mm
CT11024.3	4.3
CT11025.0	5.0
CT11027.0	7.0
CT11027.5	7.5
CT11028.0	8.0
CT11029.5	9.5
CT110211.0	11.0
CT110211.5	11.5
CT110212.0	12.0
CT110213.0	13.0
CT110214.5	14.5
CT110215.0	15.0
CT110217.0	17.0

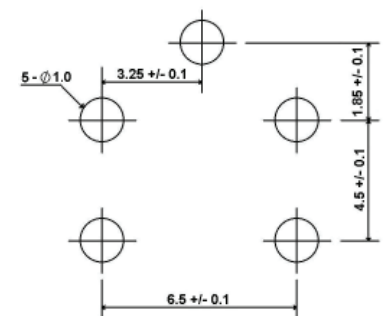
Schematic & PC Layout

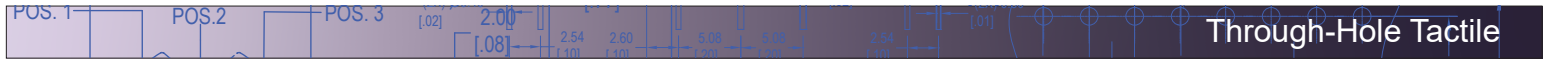


Part Number	"L" mm
CT1102S2.4	2.4
CT1102S2.8	2.8

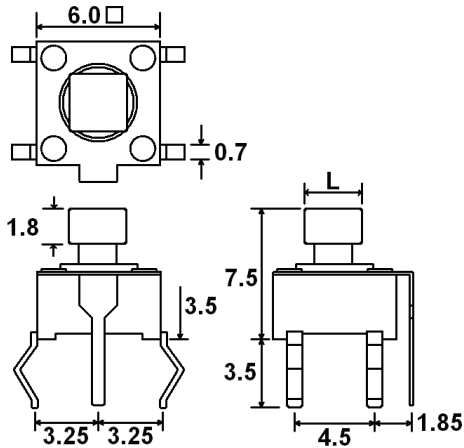


Part Number	"L" mm
CT1102P4.3	4.3
CT1102P5.0	5.0
CT1102P7.0	7.0
CT1102P7.5	7.5
CT1102P8.0	8.0
CT1102P9.5	9.5
CT1102P11.0	11.0
CT1102P11.5	11.5
CT1102P12.0	12.0
CT1102P13.0	13.0
CT1102P14.5	14.5
CT1102P15.0	15.0
CT1102P17.0	17.0



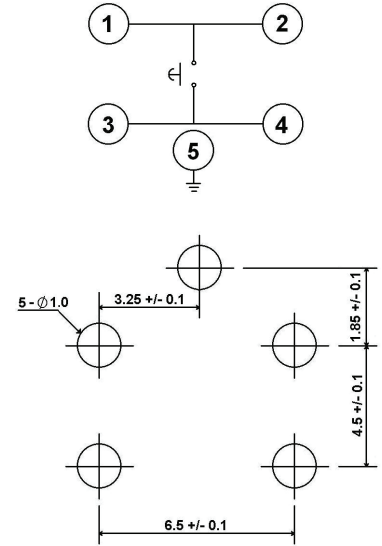


Dimensions

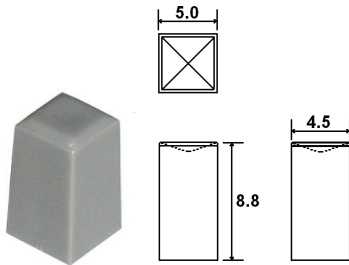


Part Number	"L" mm
CT1102PS2.4	2.4
CT1102PS2.8	2.8

Schematic & PC Layout

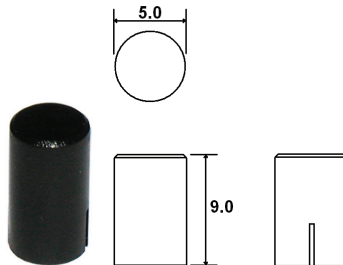


Cap Options for S2.8 Actuator



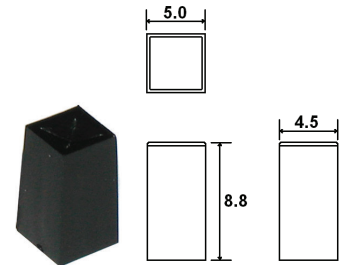
C01_

1 = White, 2 = Black, 3 = Red, 9 = Light Gray
Contact Factory for other available colors



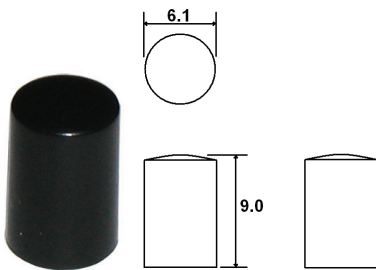
C02_

1 = White, 2 = Black, 3 = Red, 9 = Light Gray
Contact Factory for other available colors



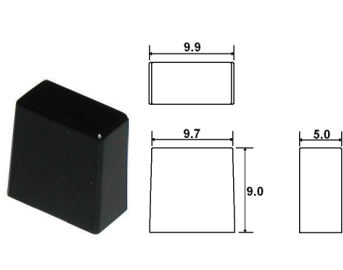
C03_

1 = White, 2 = Black, 3 = Red, 9 = Light Gray
Contact Factory for other available colors



C04_

1 = White, 2 = Black, 3 = Red, 9 = Light Gray
Contact Factory for other available colors



C05_

1 = White, 2 = Black, 3 = Red, 9 = Light Gray
Contact Factory for other available colors