

E222871

Multi-Function Rocker

Specifications

Switch Function	SPST, SPDT	Dielectric Strength	1500Vrms min
Electrical Ratings	15A @ 125VAC 8A @ 250VAC	Insulation Resistance	>100MΩ min
Electrical Life	10,000 cycles typical	Operating Temperature	-40°C to 85°C
Contact Resistance	<50mΩ initial	Storage Temperature	-40°C to 85°C
		Sealing Degree	IP40 IP65 with Sealing Boot

Materials

Actuator	6/6 Nylon
Housing	6/6 Nylon
Contacts	Silver Alloy
Terminals	Brass, Silver Plated

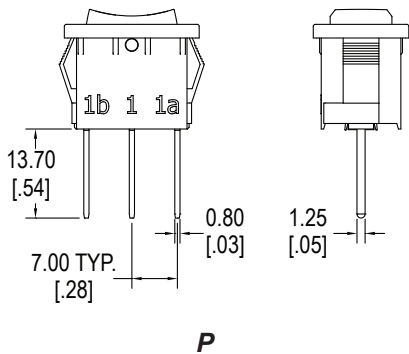
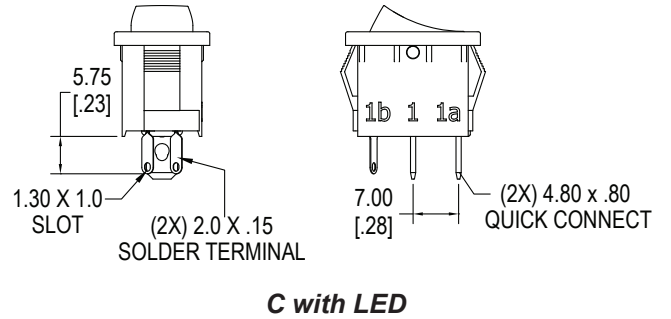
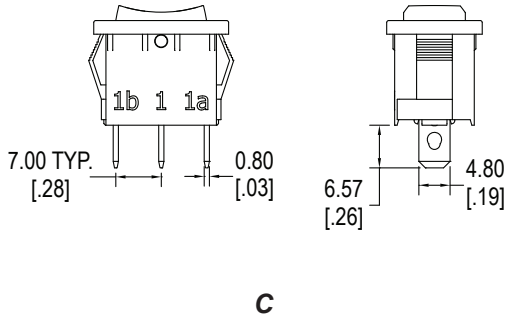
Ordering Information

1. Series	RA	1	1	2	2	C	W	C
RA								
2. Number of Poles 1 = Single pole								
3. Switch Function 1 = OFF - ON **LED only available with this function 2 = OFF - (ON) 3 = (OFF) - ON 4 = ON - ON 5 = ON - (ON) 6 = ON - OFF - ON 7 = (ON) - OFF - (ON) 8 = ON - OFF - (ON)								
4. Housing Color 1 = White 2 = Black 9 = Gray								
5. Actuator Color 1 = White 2 = Black 3 = Red 6 = Orange 7 = Blue 9 = Gray								
6. Actuator Marking: A B C	D E F	G H I	J K L	M X **X marking used with LED only				
7. Actuator Marking Color Blank = No Marking **Use this option for X actuator marking (LED) B = Black W = White R = Red								
8. Terminal Options C = .187" Quick connect / solder lug P = PC pins R = Right angle PC pins **Not available with LED option L = Left angle PC pins **Not available with LED option								
9. LED Options (for use with ON - OFF function & X actuator marking only) Blank = No LED R = Red Y = Yellow G = Green B = Blue								

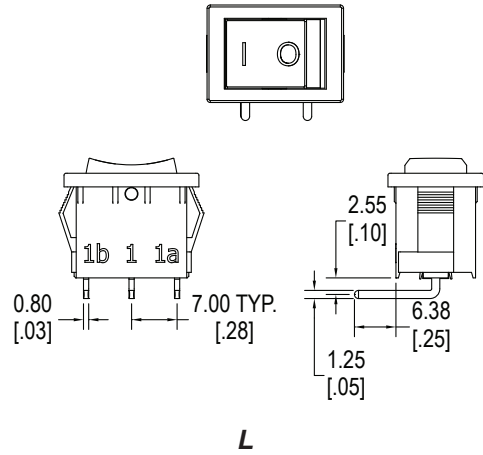
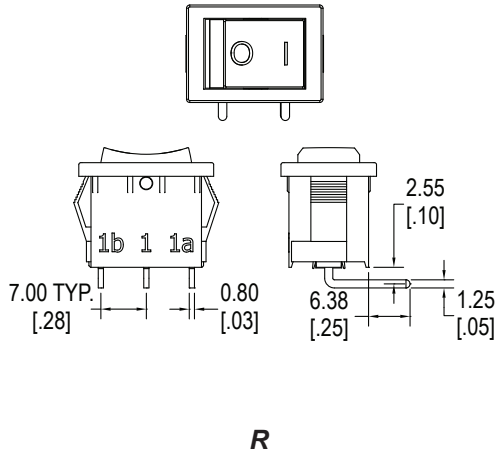
Actuator Marking Options

A	B	C	D	E	F	G
H	I	J	K	L	M	X (LED)

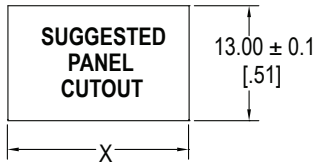
Terminal Options



Terminal Options *continued*



Terminal Options



Panel Thickness	"X" Dimension (mm)
.75 ~ 1.25	19.2 ± .1
1.25 ~ 2.00	19.4 ± .1
2.00 ~ 3.00	19.8 ± .1

LED Characteristics

LED Ratings		Color					Units
		R	G	Y	B	W	
Reverse Voltage	V_R	5	5	5	5	5	V
Forward Current (avg / peak)	I_F	30	30	30	30	30	mA
Reverse Current $V_R = 5V$	I_R	10	10	10	10	10	μA
Power Dissipation	P_T	56	46	56	72	76	mW
Forward Voltage (typ / max) $I_F = 20mA$	V_F	1.7 / 2.4	1.8 / 2.4	1.7 / 2.4	2.8 / 3.4	2.8 / 3.4	V
Wavelength at Peak Emmission, $I_F = 20mA$	λ_P	620 / 630	565 / 575	585 / 595	460 / 470	n/a	nm
Luminous Intensity, $I_F = 20mA$	LI	20 / 50	10 / 30	690 / 150	100 / 140	200 / 500	mcd
Viewing Angle	Θ	50	70	50	120	70	deg