

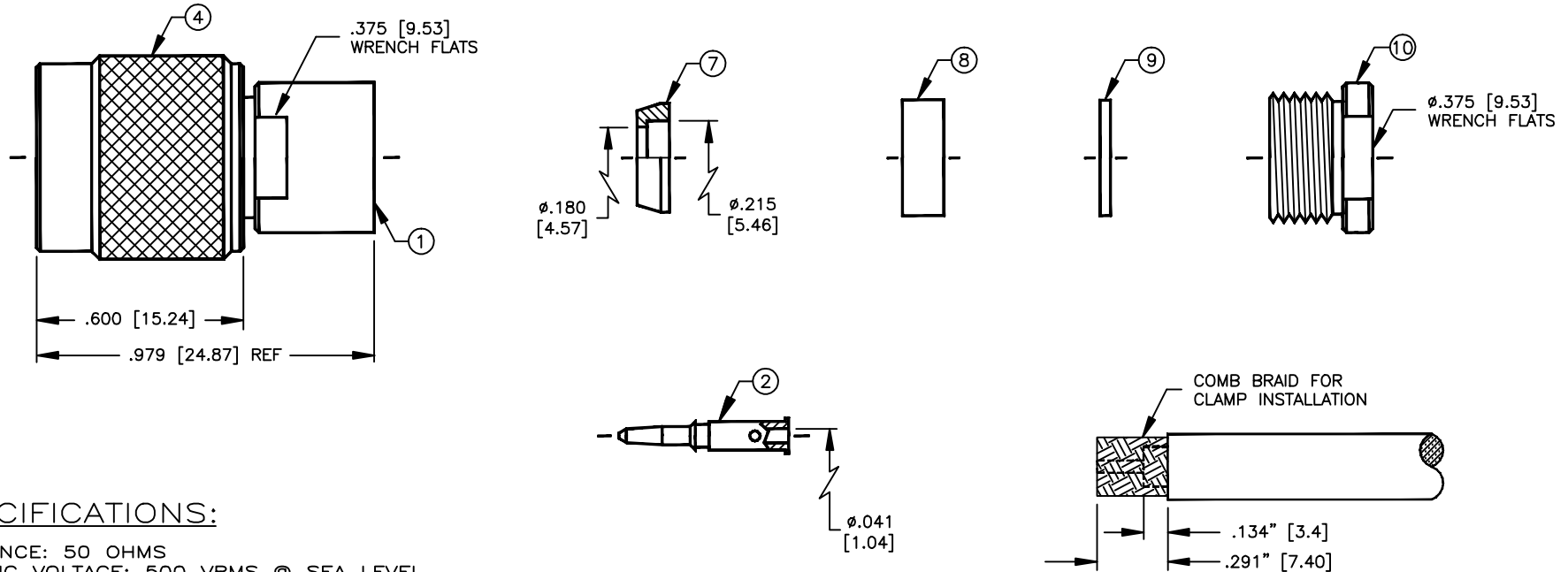
# SPECIFICATION CONTROL DRAWING

THIS DRAWING CONTAINS INFORMATION PROPRIETARY TO RF INDUSTRIES, LTD. ANY UNAUTHORIZED USE OF THIS DRAWING IS EXPRESSLY PROHIBITED. ANY VIOLATION IS PUNISHABLE UNDER U.S. COPYRIGHT LAWS.

REV	DESCRIPTION	DWN	DATE	APPROVED
D	CHG BACK NUT ITEM #10 TO WRENCH FLATS	CZS	11/11/97	P. COLCHIN
E	CHANGE OD ON GASKET [#8]	KMM	1/26/98	R. RICE
F	STANDARDIZE CLAMP DIMS / CHANGE DIE CONFIG	CZS	9/22/99	R. RICE
G	CHANGED CABLE STRIP DIM'S	JDM	8/6/07	R. RICE

ALL DIMENSIONS ARE REFERENCE ONLY

000000



## SPECIFICATIONS:

IMPEDANCE: 50 OHMS  
 WORKING VOLTAGE: 500 VRMS @ SEA LEVEL  
 FREQUENCY RANGE: 0-7GHz  
 INSERTION LOSS:  $\leq$  -.2dB @ 3 GHz  
 VSWR MAX: 1.3:1 @ 3 GHz  
 (C) FOR RG-58, 58A, 58C, 141, 141A, BELDEN 8240, 8259, 8262, 9201, 9203, 9310, 9311 & COMM/SCOPE 0268  
 (C1) FOR RG-55, 55A, 55B, 142, 142A, 142B, 223 & 400/U, ALPHA 9055, 9055B, 9223, BELDEN 8219, 83242, 84142, 9907  
 INTERFACE PER MIL-STD-348, SECTION 313.1

SUGGESTED STRIPPING INSTRUCTIONS

SUGGESTED CRIMP: .068

DIMENSIONS ARE IN INCHES AND [MILLIMETERS]

UNLESS OTHERWISE NOTED TOLERANCES ARE:  
DECIMALS DIAMETER

DRAWN	C. ZUNIGA	8/6/07
CHECKED		
ORJ DRAWN	KM	5/29/92

APPROVALS DATE

**RFconnectors**  
DIVISION OF RF INDUSTRIES, LTD.

7610 MIRAMAR RD  
SAN DIEGO, CA 92126  
(858) 549-6340  
(858) 549-6345 FAX

## RFT-1200

TNC MALE CLAMP

SIZE	CABLE GROUP	DWG NO.	REV
A	C & C1	RFT-1200	G
SCALE:	2:1	CAD FILE	13ARC B
		SHEET 1 OF 1	

ITEM	DESCRIPTION	QTY	MATERIAL	FINISH
10	BACK NUT	1	BRASS	NICKEL
9	WASHER	1	BRASS	NICKEL
8	GASKET	1	S.I. RUBBER	RED
7	CLAMP	1	BRASS	NICKEL
6	RETAINING RING	1	BRASS	NONE
5	GASKET	1	S.I. RUBBER	RED
4	SHELL	1	BRASS	NICKEL
3	DIELECTRIC	1	PTFE	NONE
2	PIN [PIN-303-12]	1	BRASS	GOLD
1	BODY	1	BRASS	NICKEL