

Material :

- * Body: High temperature plastic UL 94V-0, Color Nature
- * Cover: High temperature plastic UL 94V-0, Color Black
- * Contact: Phosphor Bronze
- * Fixed tab: Brass with 2.03 μm(80 μ") Min. Matte Tin Plated over 1.27 μm(50 μ") Min. Nickel

Ordering Code

CF42 ** * H 0 RA -05 -NH
 ① ② ③ ④ ⑤ ⑥ ⑦ ⑧

- ① Series No.
- ② No. of Circuits: 8,26
- ③ 1= 2.03 μm(80 μ") Min. Matte Tin plated over 1.27 μm(50 μ") Min. Nickel
 F= 0.02 μm(0.8 μ") Min. Gold Flash Plating on Contact area and Solderails, 1.27 μm(50 μ") Min. Nickel Underplating over all
- ④ Contact style: H= Dual side contact
- ⑤ 0= Color Nature
- ⑥ Packing: RA= Latch Type
- ⑦ -05= 0.5 Pitch
- ⑧ -NH= For Lead Free IR Reflow Processed and Halogen Free

| Circuits | Dimension | | | |
|----------|--------------|---------------|---------------|---------------|
| | A | B | C | D |
| 4 | 1.50 (.059) | 5.00 (.197) | 3.55 (.140) | 4.42 (.174) |
| 6 | 2.50 (.098) | 6.00 (.236) | 4.55 (.179) | 5.42 (.213) |
| 8 | 3.50 (.138) | 7.00 (.276) | 5.55 (.219) | 6.42 (.253) |
| 10 | 4.50 (.177) | 8.00 (.315) | 6.55 (.258) | 7.42 (.292) |
| 40 | 19.50 (.768) | 23.00 (.906) | 21.55 (.848) | 22.42 (.883) |
| 48 | 23.50 (.925) | 27.00 (1.063) | 25.55 (1.006) | 26.42 (1.040) |

Recommended P.C. Board Layout

Accommodated FFC/FPC

Halogen-Free

Lead Free Process

RoHS compliant

| SYMBOL | NAME | DATE | REVISIONS | APPROVED BY: | DATE |
|--------|------|----------|-----------------------|--------------|------|
| 4 | Sun | 9/10-21' | ECNT121233 | | |
| 3 | Eric | 3/30-21' | ECRT121019/ECNT121087 | | |
| 2 | Sun | 7/03-20' | ECNT120171 | | |
| 1 | Ken | 12/5-18' | ECNT118286/ECRH118045 | | |

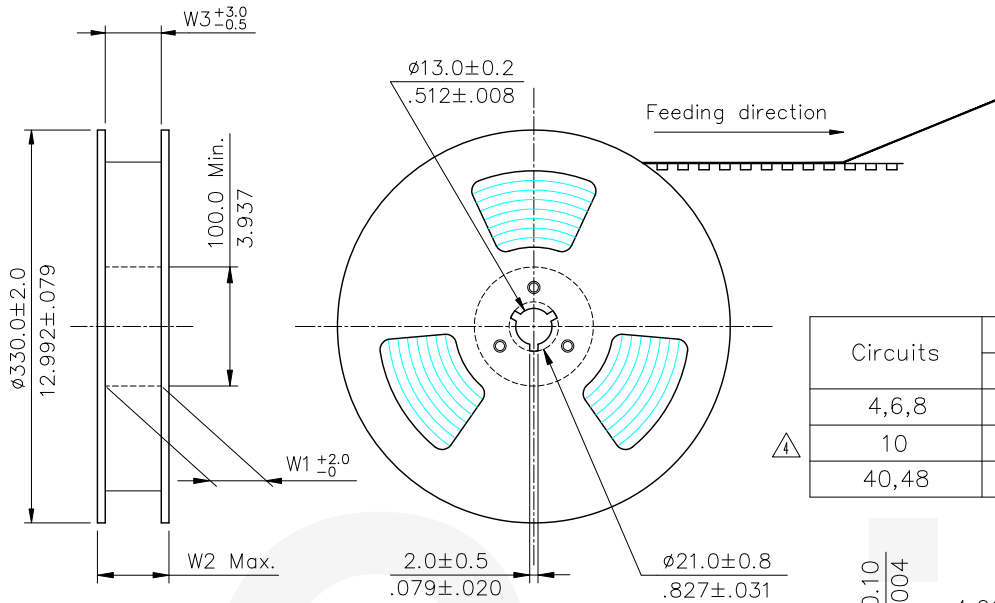
2021.09.16 ISSUED

| |
|--|
| TITLE: 0.50mm(.020") ZIF FFC/FPC BACK FLIP CONNECTOR |
| MATERIAL: |
| FINISH: |

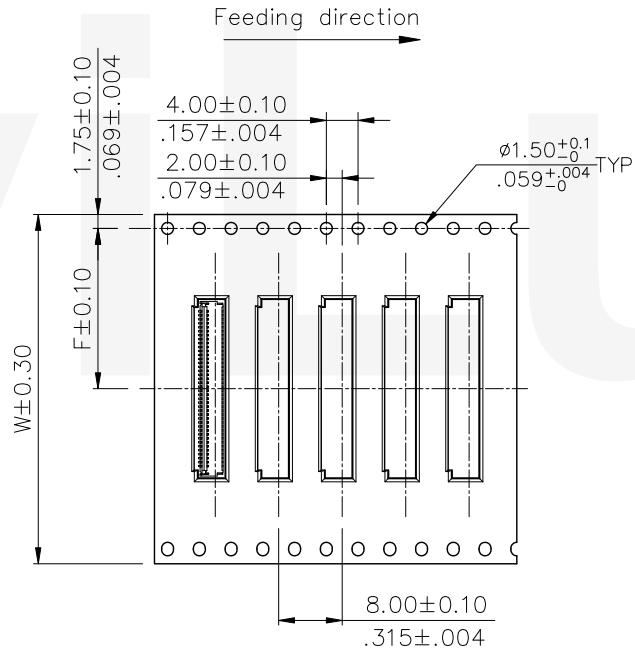
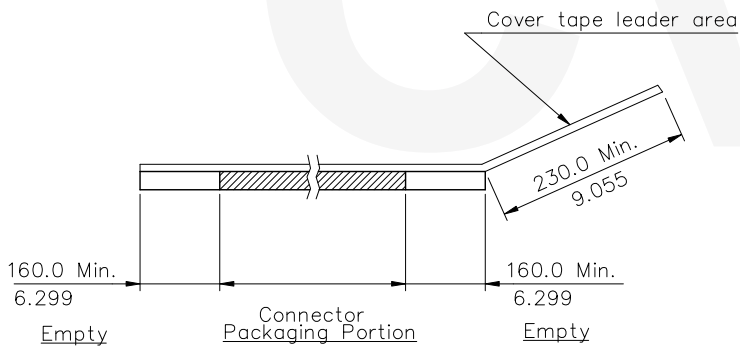
| | | | |
|--|----------|----------|-------------------|
|  瀚荃股份有限公司 CviLux Corporation | | | |
| DRAWING NO. | CF4208SE | PART NO. | CF42***HORA-05-NH |
| SCALE | 8 / 1 | SHEET | 1 OF 2 |

NOTE :

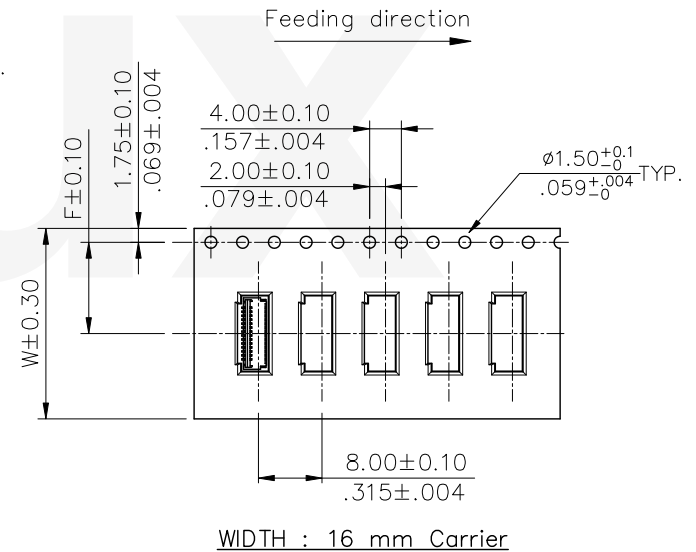
- △ * Reel Material : Corrugated Paper
- * Carrier Material : Clear, Conductive Polystyrene Alloy
- * Cover Tape Material : Polyester
- * Cover Tape Peel Strength : 0.1N – 1.3N
- * Carrier camber is within 1mm in 100mm
- * All dimensions meet EIA-481 requirements
- * Quantity : 3500 PCS/Reel



| Circuits | Dimension | | | | | Packing (Reel/Carton) |
|----------|-------------|-------------|-------------|-------------|-------------|-----------------------|
| | W | F | W1 | W2 | W3 | |
| 4,6,8 | 16.0(.630) | 7.50(.295) | 16.5(.650) | 22.5(.885) | 16.5(.650) | 11 |
| 10 | 24.0(.945) | — | 24.5(.965) | 30.5(1.200) | 24.5(.965) | 9 |
| 40,48 | 44.0(1.732) | 20.20(.795) | 44.5(1.752) | 50.5(1.988) | 44.5(1.752) | 5 |



WIDTH : 44 mm Carrier



WIDTH : 16 mm Carrier

CVILUX CORP
 2021.09.16
 ISSUED

RoHS Compliant

| SYM | NAME | DATE | REVISIONS | APPROVED BY: | DATE | UNIT: mm / inch | TITLE: 0.50mm(.020") ZIF FFC/FPC BACK FLIP CONNECTOR | MATERIAL: | DRAWING NO. CF4208SE | PART NO. CF42***H0RA-05-NH | | |
|-----|------|----------|-----------------------|---------------------|----------|---|--|-----------|----------------------|----------------------------|-------|----------|
| △4 | | | | | | | | | | | | |
| △3 | Eric | 3/30-21' | ECRT121019/ECNT121087 | DRAWN BY: Sun | 9/10-21' | TOLERANCE UNLESS OTHERWISE SPECIFIED | | | | | | |
| △2 | Sun | 7/03-20' | ECNT120171 | ENGINEER: Sun | 9/10-21' | | | | | | .X ± | .X' ± 1' |
| △1 | Ken | 12/5-18 | ECNT118286/ECRH118045 | CHECKED BY: Easley | 9/16-21' | | | | | | .XX ± | .X' ± |
| | | | | APPROVED BY: Easley | 9/16-21' | .XXX ± | .XX' ± | FINISH: | SCALE | SHEET 2 OF 2 | | |

瀚荃股份有限公司
 CviLux Corporation