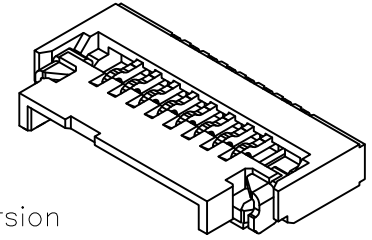


Material :

- * Base: High temperature plastic UL 94V-0, Color Nature
- * Cover: High temperature plastic UL 94V-0, Color Black
- * Contact: Phosphor Bronze
- * Fixed tab: Phosphor Bronze with 2.54μm(100μ'') Min. Matte Tin Plated over 1.27μm(50μ'') Min. Nickel

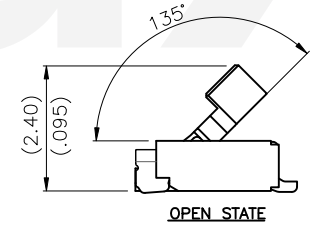
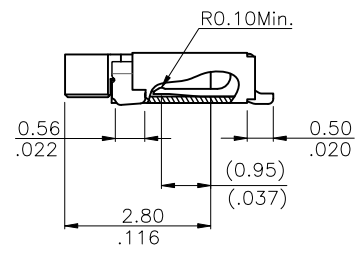
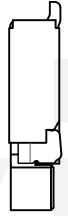
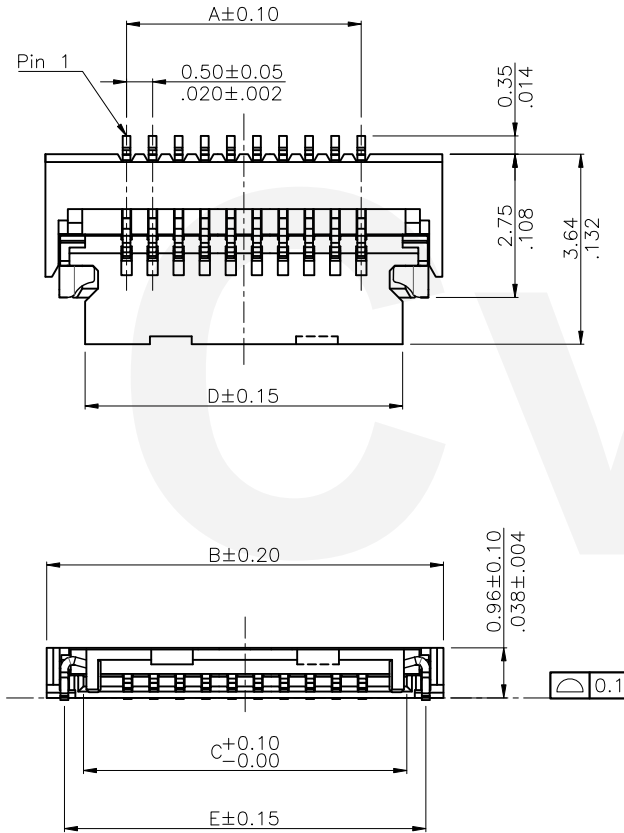
Ordering Code

CF35 ** * D 0 RD -NH
 ① ② ③ ④ ⑤ ⑥ ⑦



- ① Series No.
- ② No. of Circuits 4~30PIN Enhanced version
- ③ Plating code:
 1= 80μ''~120μ''Matte Tin plated over , 50μ''~80μ''Min.Nicke.
 2= 0.03μm(1.2μ'') Min.Gold Flash, 50μ''~80μ'' MIN Nickel Underplating.
 F= 0.03μm(1.2μ'') Min.Gold Flash on Contact area and Solder tails, 1.27μm(50μ'') Min. Nickel Underplating over all.
- ④ Contact style: D= Downside contact
- ⑤ 0= Color Nature
- ⑥ Packing: RD= Tape & Reel packing
- ⑦ -NH= For Lead Free IR Processed and Halogen Free

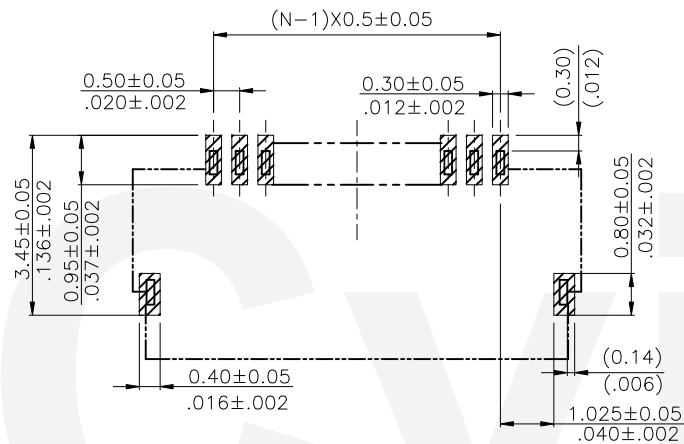
DIM A=0.5 X (No. of Circuits-1)
 DIM B=DIM A+3.10
 DIM C=DIM A+1.70
 DIM D=DIM A+1.60
 DIM E=DIM A+2.42



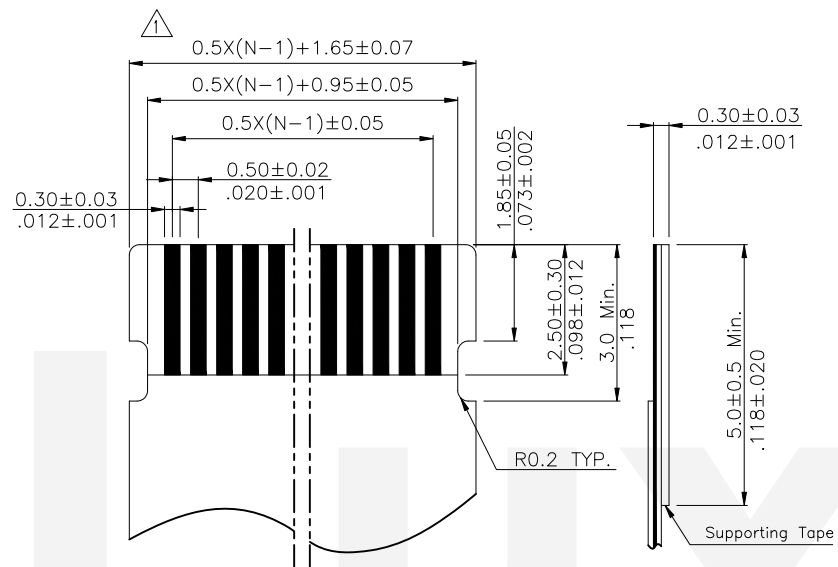
Halogen-Free Lead Free Process RoHS Compliant

④					DATE	UNIT: mm / inch	TITLE: 0.50mm(.020'') ZIF FFC/FPC ONE-TOUCH CONNECTOR (Enhanced version)	瀚荃股份有限公司 CviLux Corporation
③					10/16-20'	TOLERANCE UNLESS OTHERWISE SPECIFIED	MATERIAL:	
②					10/16-20'	.X ± 0.20/.008 .X' ±	FINISH:	DRAWING NO. CF3522SB PART NO. CF35***DORD-NH
①	Sandy	10/15-20'	ECNT120249	CHECKED BY: Eisley	10/19-20'	.XX ± 0.15/.006 .X' ± 1'		SCALE 10 / 1
SYM	NAME	DATE	REVISIONS	APPROVED BY: Eisley	10/19-20'	.XXX ± .XX' ±		





Recommended P.C. Board Layout



Accommodated FFC/FPC

Halogen-Free

Lead Free Process

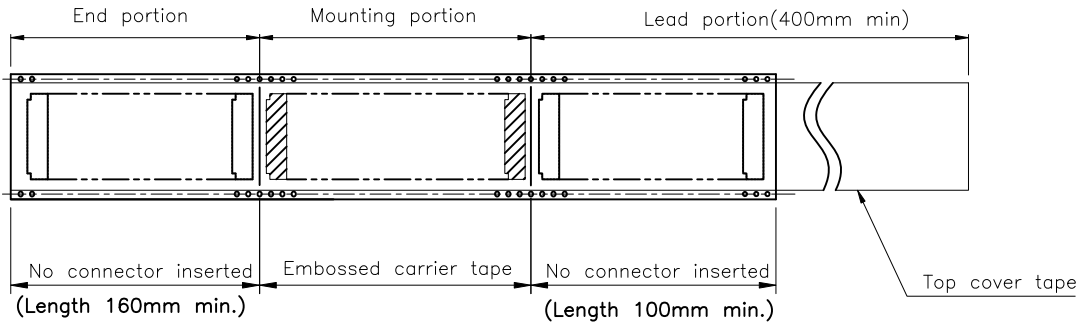
RoHS Compliant

CVILUX CORP
 2020.10.23
 ISSUED

4					DATE	UNIT: mm / inch	TITLE: 0.50mm(.020") ZIF FFC/FPC ONE-TOUCH CONNECTOR (Enhanced version)	瀚荃股份有限公司 CviLux Corporation		
3				DRAWN BY: Sandy	10/16-20'	TOLERANCE UNLESS OTHERWISE SPECIFIED	MATERIAL:			
2				ENGINEER: Sun	10/16-20'	.X ± 0.20/.008 X' ±	FINISH:	SCALE 10 / 1	SHEET 2 OF 3	
1	Sandy	10/15-20'	ECNT120249	CHECKED BY: Eisley	10/19-20'	.XX ± 0.15/.006 X' ± 1'				
SYM	NAME	DATE	REVISIONS	APPROVED BY: Eisley	10/19-20'	.XXX ±				

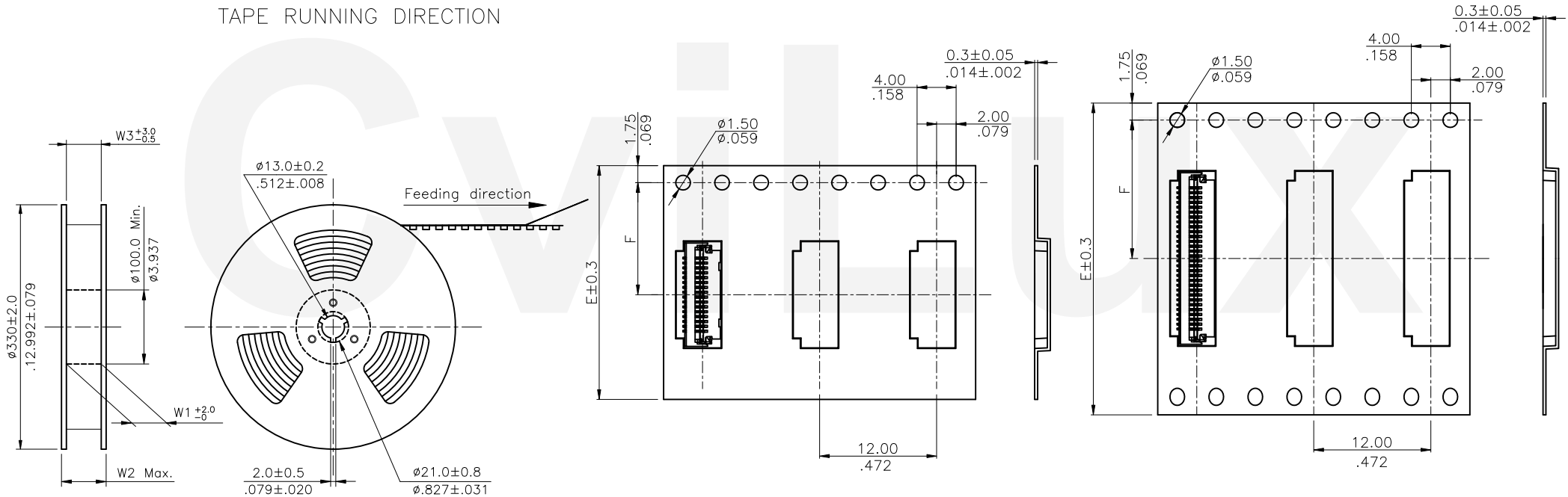
Notes:

1. 10 sprocket hole pitch cumulative tolerance ± 0.2
2. Camber not to exceed 1mm in 100mm.
3. Material: Polystyrene.
4. Pocket position relative to sprocket hole measured as true position of pocket, not pocked hole.
5. All dimensions meet EIA-481-B requirements.
6. Quantity: 3000 PCS/REEL



Circuits	Dimension					Packing (Reel/Carton)
	E	F	W1	W2	W3	
4-11	16.0(.630)	7.50(.295)	16.5(.650)	22.5(.885)	16.5(.650)	11
12-29	24.0(.945)	11.50(.453)	24.5(.965)	30.5(1.200)	24.5(.965)	9
30	32.0(1.260)	14.20(.559)	32.5(1.280)	38.5(1.516)	32.5(1.280)	7


TAPE RUNNING DIRECTION



WIDTH : 16,24 mm Carrier
(SCALE 1:4)

WIDTH : 32 mm Carrier
(SCALE 1:4)

RoHS Compliant

4					DATE	UNIT: mm / inch	TITLE: 0.50mm(.020") ZIF FFC/FPC ONE-TOUCH CONNECTOR (Enhanced version)	 瀚基股份有限公司 CviLux Corporation			
3					DATE	TOLERANCE UNLESS OTHERWISE SPECIFIED	MATERIAL:				DRAWING NO.
2					DATE			SCALE	10 / 1	SHEET	3 OF 3
1	Sandy	10/15-20	ECNT120249		DATE						
SYM	NAME	DATE	REVISIONS		APPROVED BY:	Eisley	10/19-20'				

