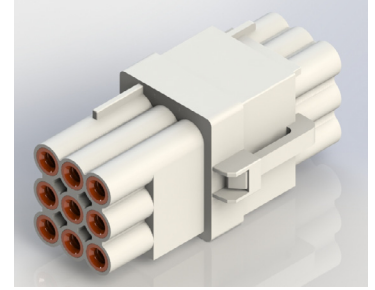


WATERPROOF WIRE TO WIRE & CONNECTORS

Features:

- 5.0mm x 5.9mm pitch, rated current: 8A max
- Splashproof solution available in 1, 2, 3, 4, 6, or 9 positions
- Available in wire to wire options
- True crimp and poke solution with various sized wire seals available
- Available with wire already installed
- Splash Proof Grade: IP52 (JIS C0920) Certified

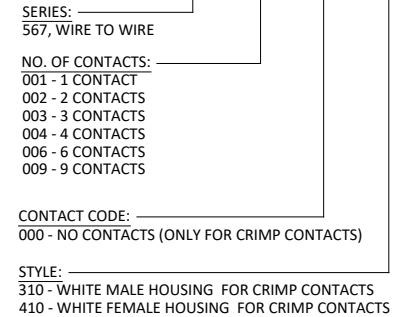


Specifications:

No. of Positions	1, 2, 3, 4, 6, or 9
Pitch	5.0 mm x 5.9 mm
Rated Voltage	300 V
Rated Current	8 amps maximum
Dielectric Withstanding Voltage	1700 V AC (rms)
Contact Resistance	10 millihoms maximum
Insulation Resistance	1000 megaohms minimum/DC 500 V
Operating Temperature	-40°C to +105°C

Ordering Code:

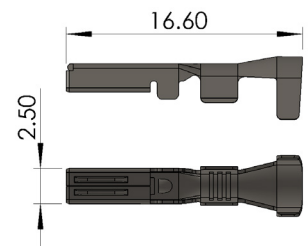
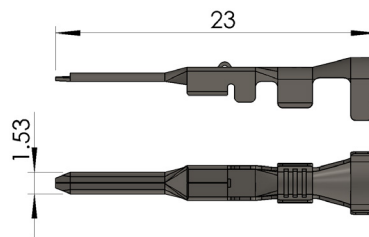
567-002-000-100



Crimp Contact:

Male Contact (Pin)			
Part No (Material)	AWG#	Ins. Dia.	Pcs/Reel
570-290-751 (Brass)	14	Max. Ø3.1	4,000
570-291-731 (Ph. Brz.)	20-16	Max. Ø3.1	4,000
570-290-731 (Brass)	20-16	Max. Ø3.1	4,000
570-290-711 (Brass)	22-20	Max. Ø2.7	4,000

Female Contact (Socket)			
Part No (Material)	AWG#	Ins. Dia.	Pcs/Reel
570-290-761 (Brass)	14	Max. Ø3.1	4,000
570-291-741 (Ph. Brz.)	20-16	Max. Ø3.1	4,000
570-290-741 (Brass)	20-16	Max. Ø3.1	4,000
570-291-721 (Ph. Brz.)	22-20	Max. Ø2.7	4,000
570-290-721 (Brass)	22-20	Max. Ø2.7	4,000

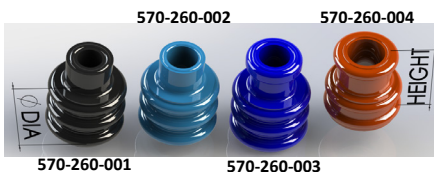


Materials:

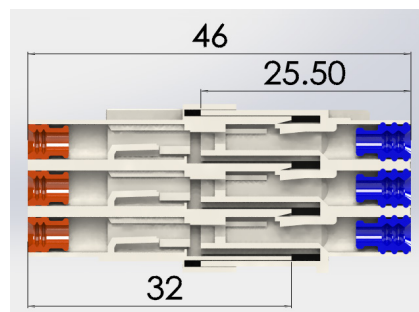
Housing	PBT, UL 94V-0
Contact	Ph. Brz. or Brass
Contact Plating	Tin Plating
Wire & Housing Seals	Silicone Rubber

Wire Seal:

Part No.	Wire O.D.	Color	AWG#	Ø Dia.	Height
570-260-001	Ø1.7~Ø2.1	Black	22	Ø 5.0	6.0
570-260-002	Ø2.1~Ø2.7	Light Blue	22-20	Ø 5.0	6.0
570-260-003	Ø2.1~Ø2.7	Blue	22-20	Ø 5.0	6.7
570-260-004	Ø2.7~Ø3.1	Brown	20-14	Ø 4.9	5.0

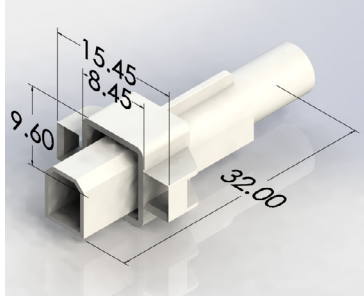


Assembly Layout:

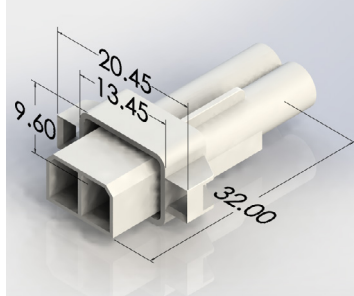


Male Housing:

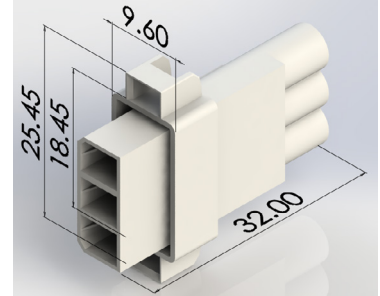
567-001-000-310



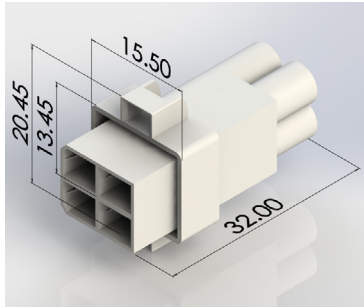
567-002-000-310



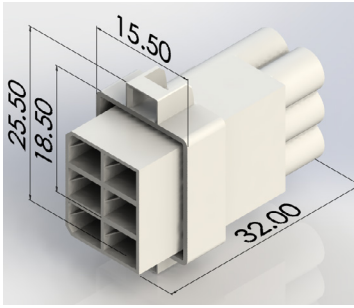
567-003-000-310



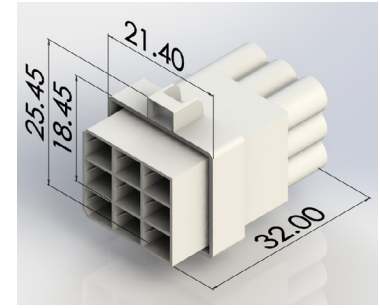
567-004-000-310



567-006-000-310

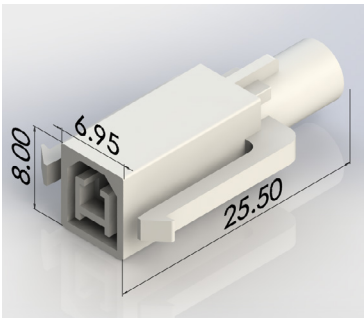


567-009-000-310

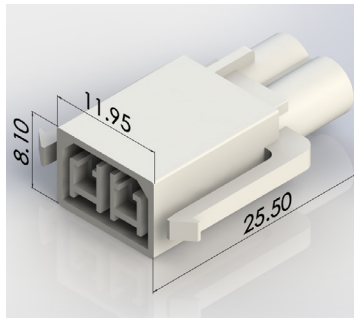


Female Housing:

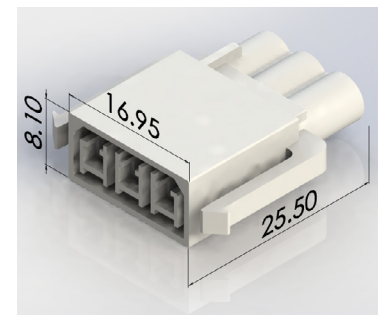
567-001-000-410



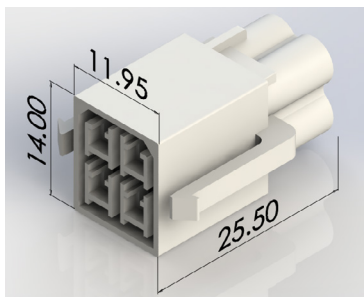
567-002-000-410



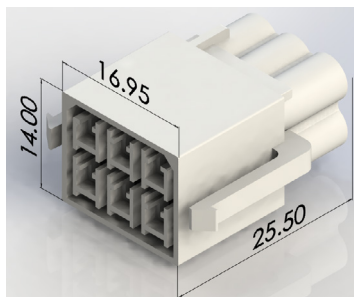
567-003-000-410



567-004-000-410



567-006-000-410



567-009-000-410

