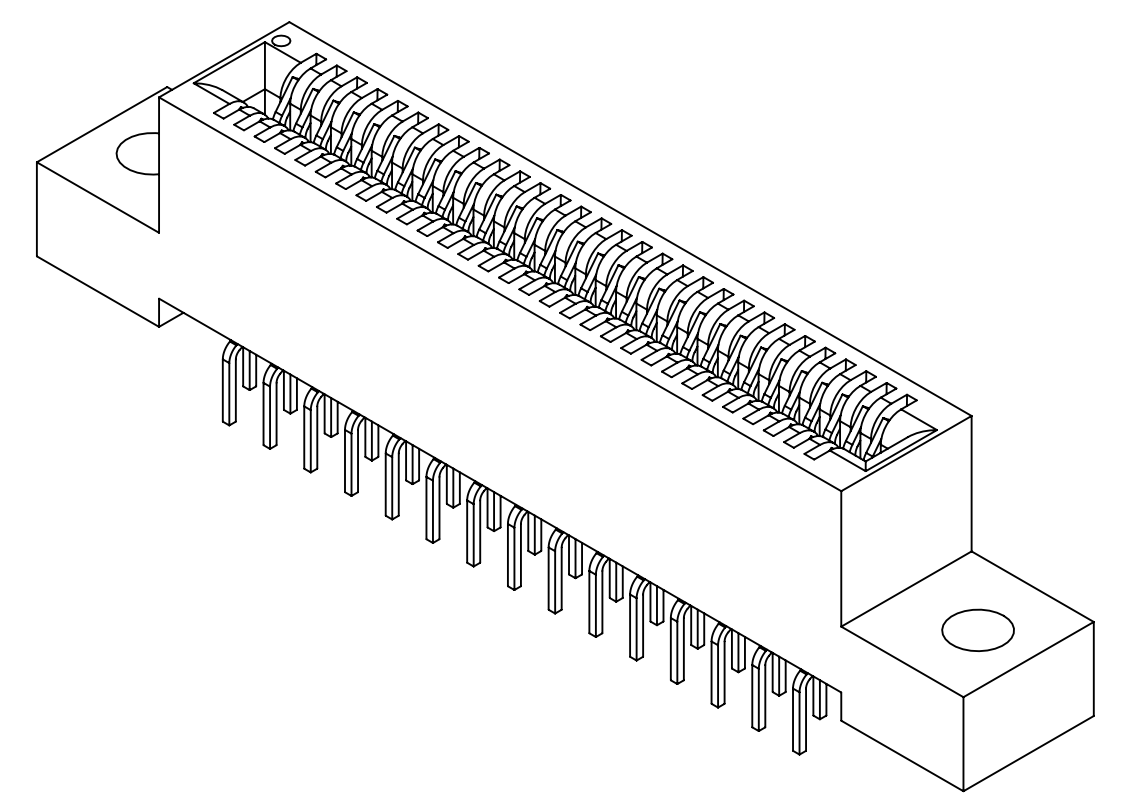
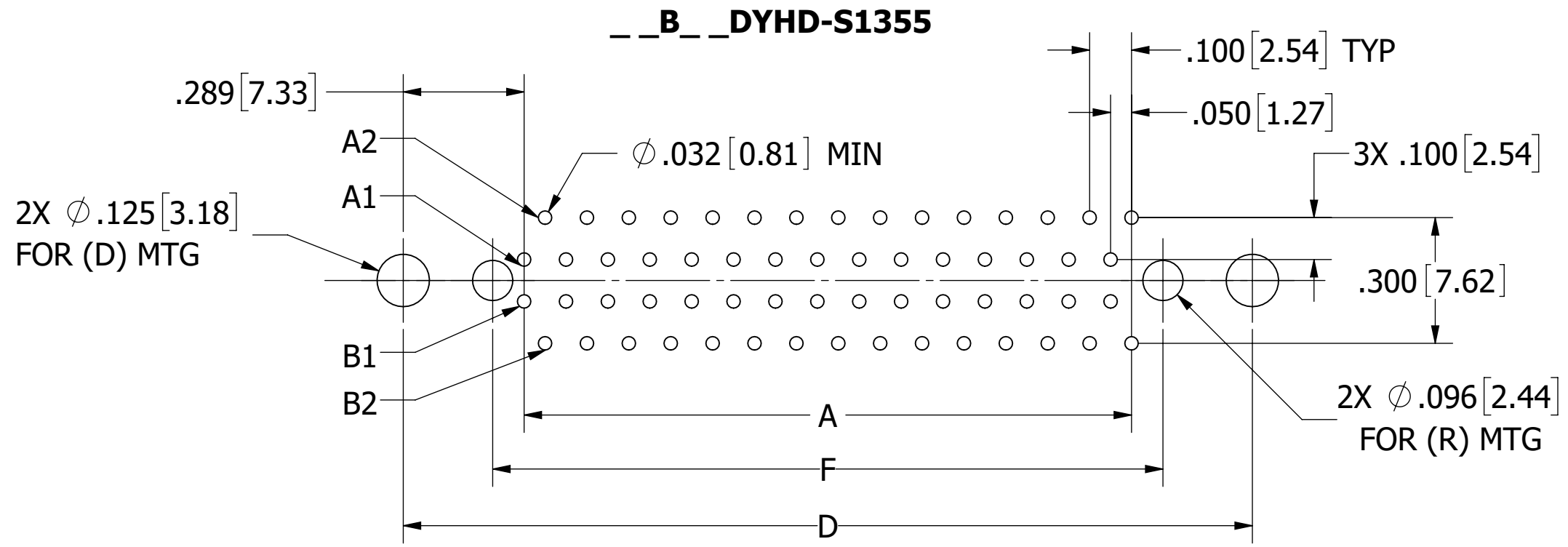
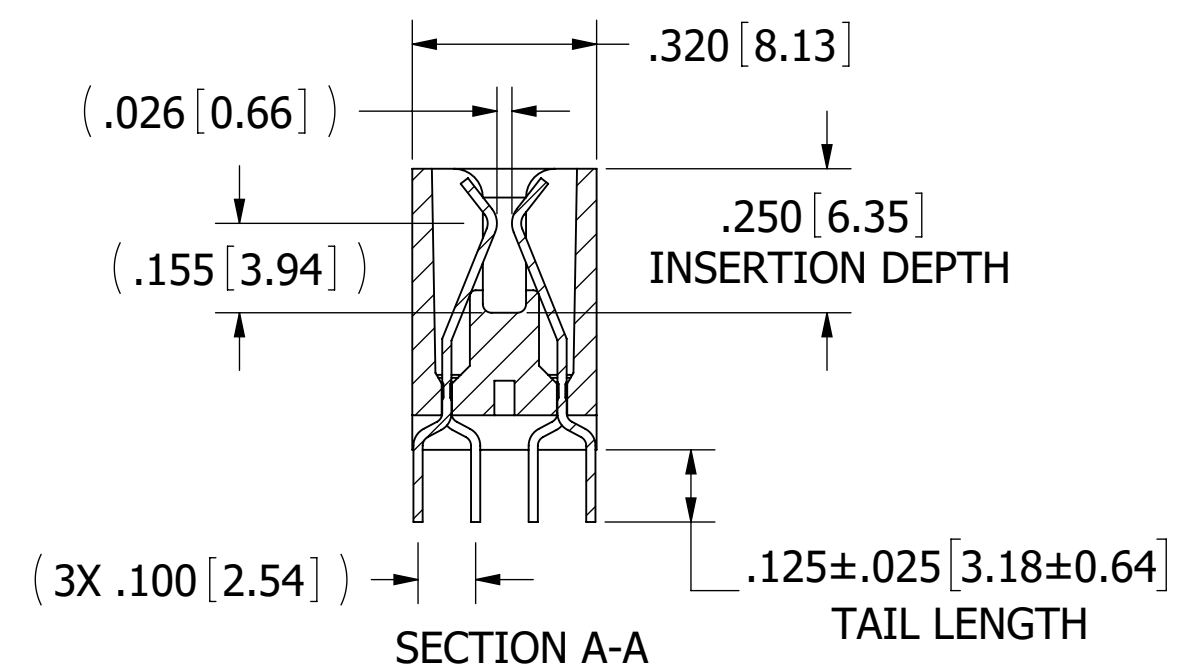
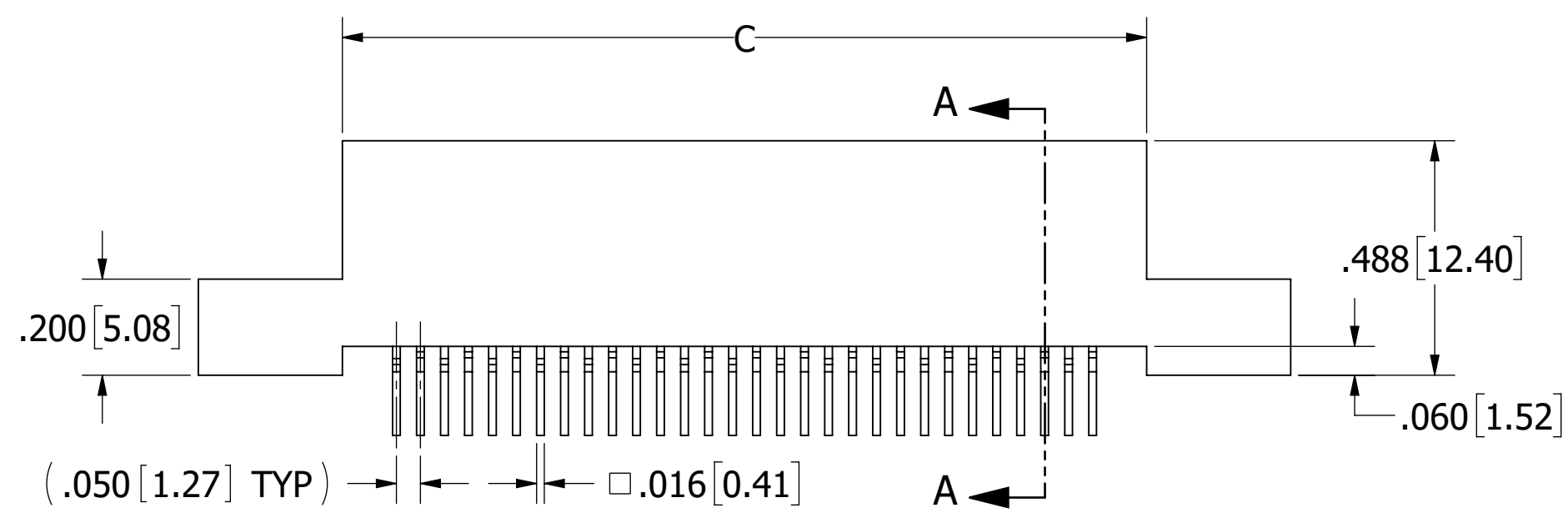
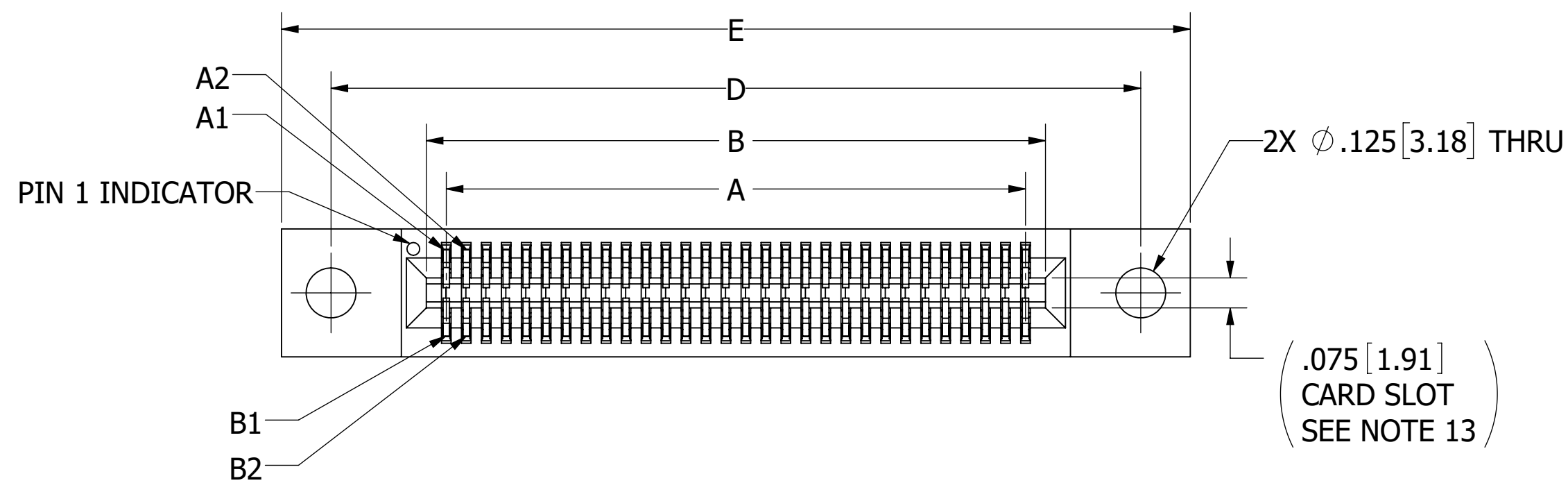


REVISIONS				
REV.	ECO. NO	DESCRIPTION	DATE	BY
D	2940	ADD MATERIALS 'R' & 'A', ADD 'B' PLATING	3/21/2014	NC
E	4470	ADD 'D' & 'R' MOUNTING; ADD POSITIONS 03, 64, AND 79; UPDATE DIMENSION 'D' FOR 50 POSITION	11/24/2021	PL



- NOTES:
1. INSULATOR MATERIAL: SEE PART NUMBER CODING
 2. CONTACT MATERIAL: SEE PART NUMBER CODING
 3. PLATING: SEE PART NUMBER CODING
 4. OPERATING TEMPERATURE: SEE PART NUMBER CODING
 5. PROCESSING TEMP: SEE PART NUMBER CODING
 6. UL FLAMMABILITY RATING: 94V-0
 7. OPERATING VOLTAGE: 300 VAC
 8. CURRENT RATING: 1 AMP
 9. CONTACT RESISTANCE: 30 MILLI OHMS MAX
 10. INSULATION RESISTANCE: 5000 MEGA OHMS
 11. DURABILITY: 500 CYCLES MIN
 12. CONNECTOR IDENTIFICATION: THE PART SHALL BE MARKED WITH A PART NUMBER AND LOT CODE
 13. BOARD THICKNESS ACCOMMODATED: .062 ± .008 [1.57 ± 0.20]
 14. INSERTION FORCE: 4 OZ MAX PER CONTACT PAIR WHEN USING A .062 [1.57] TEST BLADE
 15. WITHDRAWAL FORCE: 3/8 OZ MIN PER CONTACT PAIR USING .062 [1.57] TEST BLADE
 16. MODIFICATION: .488 INSULATOR HEIGHT, .320 WIDTH, .250 INSERTION DEPTH, SPECIAL FOOTPRINT. FIRST POSITION BOTH ROWS BENT IN, SECOND ROW BOTH ROWS BENT OUT. ALTERNATE IN AND OUT



CUSTOMER COPY

UNLESS OTHERWISE SPECIFIED: DIMENSIONS ARE IN INCHES [MM]	DRAWN	DATE	NAME	
		10/10/12	JH	
TOLERANCES: ANGULAR: ± 1° DECIMALS .XX= ± .02 [.5] .XXX= ± .005 [1.3] .XXXX= ± .0005 [0.13]	<small>THE INFORMATION HEREIN CONTAINS PROPRIETARY INFORMATION OF SULLINS ELECTRONICS AND IS NOT TO BE REPRODUCED, USED OR DISCLOSED TO OTHERS FOR ANY PURPOSE EXCEPT AS SPECIFICALLY AUTHORIZED IN WRITING BY AN OFFICER OF SULLINS ELECTRONICS.</small>			TITLE .050" PITCH ULTRA THIN CONNECTOR
	PART NUMBER _B_ _DYH_ -S1355			SIZE C
		DWG. NO. C11238	REV E	SCALE: 3:1
			SHEET 1 OF 2	

PART NUMBER	POSITIONS	A±.005 [±.13]		B±.005 [±.13]		C±.015 [±.38]		D±.010 [±.25]		E±.020 [±.51]		F±.010 [±.25]	
		INCH	MM	INCH	MM	INCH	MM	INCH	MM	INCH	MM	INCH	MM
__B03DYH_-S1355	3	0.100	2.54	0.200	5.08	0.325	8.26	0.677	17.20	0.925	23.50	0.250	6.35
__B05DYH_-S1355	5	0.200	5.08	0.300	7.62	0.425	10.80	0.777	19.74	1.025	26.04	0.350	8.89
__B06DYH_-S1355	6	0.250	6.35	0.350	8.89	0.475	12.07	0.827	21.01	1.075	27.31	0.400	10.16
__B10DYH_-S1355	10	0.450	11.43	0.550	13.97	0.675	17.15	1.027	26.09	1.275	32.39	0.600	15.24
__B15DYH_-S1355	15	0.700	17.78	0.800	20.32	0.925	23.50	1.277	32.44	1.525	38.74	0.850	21.59
__B20DYH_-S1355	20	0.950	24.13	1.050	26.67	1.175	29.85	1.527	38.79	1.775	45.09	1.100	27.94
__B25DYH_-S1355	25	1.200	30.48	1.300	33.02	1.425	36.20	1.777	45.14	2.025	51.44	1.350	34.29
__B30DYH_-S1355	30	1.450	36.83	1.550	39.37	1.675	42.55	2.027	51.49	2.275	57.79	1.600	40.64
__B40DYH_-S1355	40	1.950	49.53	2.050	52.07	2.175	55.25	2.527	64.19	2.775	70.49	2.100	53.34
__B50DYH_-S1355	50	2.450	62.23	2.550	64.77	2.675	67.95	3.027	76.89	3.275	83.19	2.600	66.04
__B64DYH_-S1355	64	3.150	80.01	3.250	82.55	3.375	85.73	3.727	94.67	3.975	100.97	3.300	83.82
__B79DYH_-S1355	79	3.900	99.06	4.000	101.60	4.125	104.78	4.477	113.72	4.725	120.02	4.050	102.87

PART NUMBER CODING

MATERIALS (INSULATOR/CONTACT)

R = BROWN PPS / PHOSPHOR BRONZE

OPERATING TEMP: -65°C TO +125°C
PROCESSING TEMP: 260°C MAX FOR 20 SECS

G = BLACK PA9T/PHOSPHOR BRONZE

OPERATING TEMP: -65°C TO +125°C
PROCESSING TEMP: 260°C MAX FOR 20 SECS

A = BROWN PPS/BERYLLIUM COPPER

OPERATING TEMP: -65°C TO +150°C
PROCESSING TEMP: 260°C MAX FOR 20 SECS

J = BLACK PA9T/BERYLLIUM COPPER

OPERATING TEMP: -65°C TO +150°C
PROCESSING TEMP: 260°C MAX FOR 20 SECS

F = BROWN PPS/SPINODAL**

OPERATING TEMP: -65°C TO +200°C
PROCESSING TEMP: 260°C MAX FOR 20 SECS
AVAILABLE IN OVERALL GOLD ONLY ('M' PLATING CODE)

** CONSULT FACTORY FOR SPECIAL SOLDERING GUIDELINES

B **DYH** **-S1355**

↑ ↑ ↑

MODIFICATION

N = NO MOUNTING EARS
R = METAL BOARD LOCKS
D = FLUSH MOUNTING EARS .125[3.18] DIA.

NUMBER OF POSITIONS (CONTACTS PER ROW)

PLATING

ALL PLATINGS ARE LEAD FREE AND HAVE .000050" MIN NICKEL UNDERPLATE

CONTACT SURFACE

B = .000010" GOLD

C = .000030" GOLD

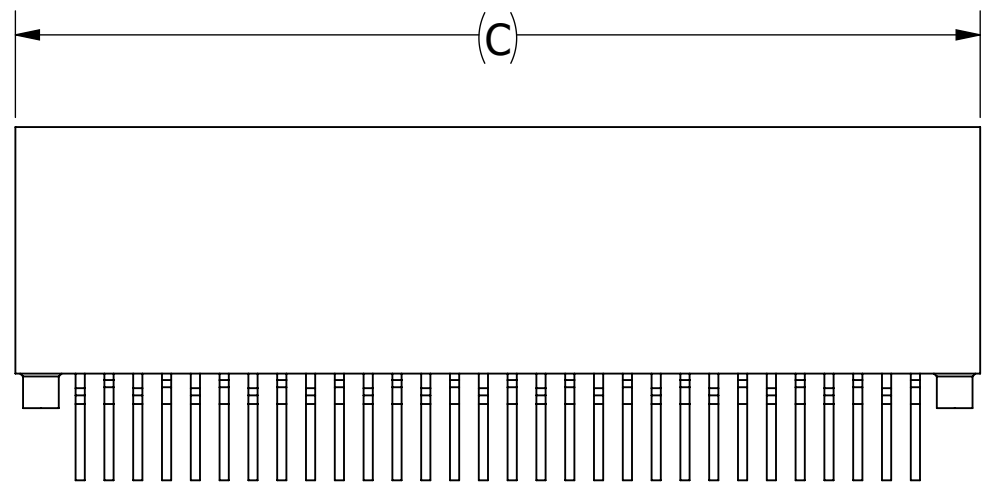
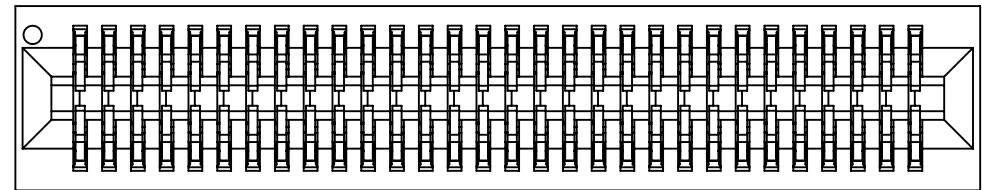
M = .000030" GOLD

TERMINATION

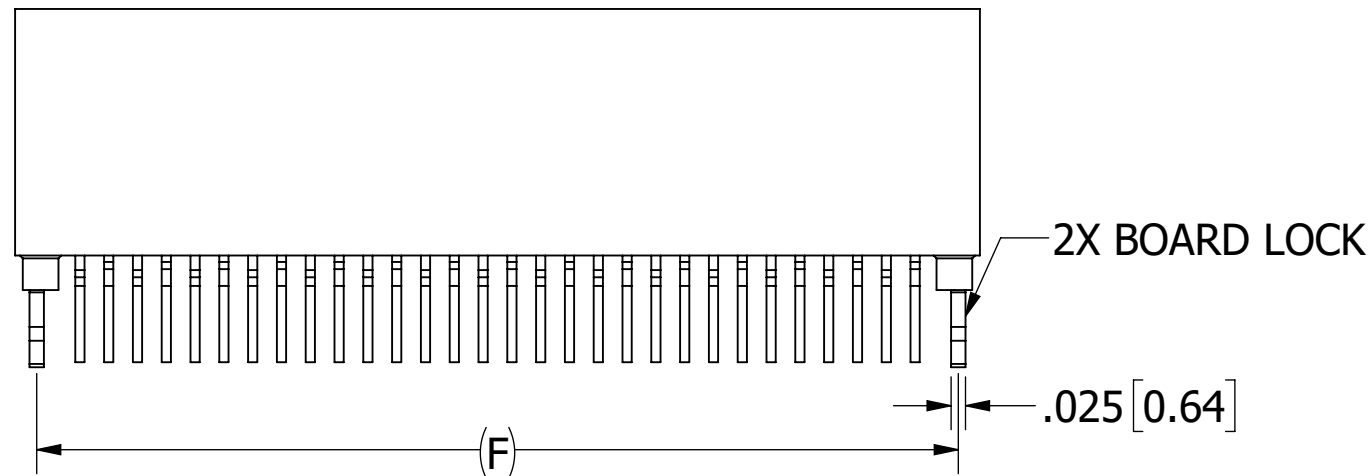
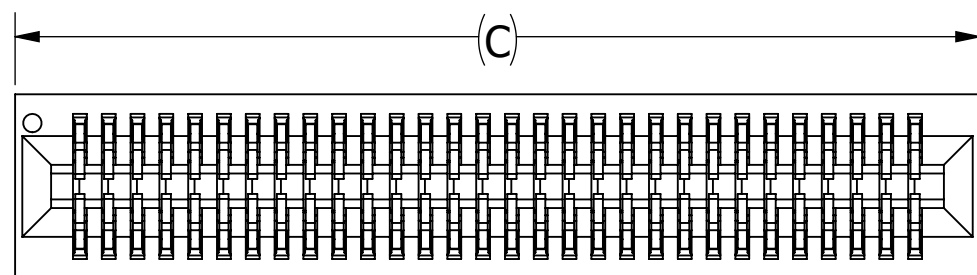
.000100" PURE TIN, MATTE

.000100" PURE TIN, MATTE

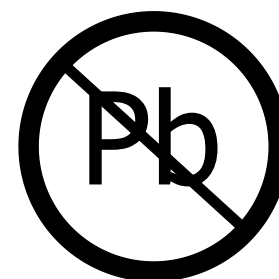
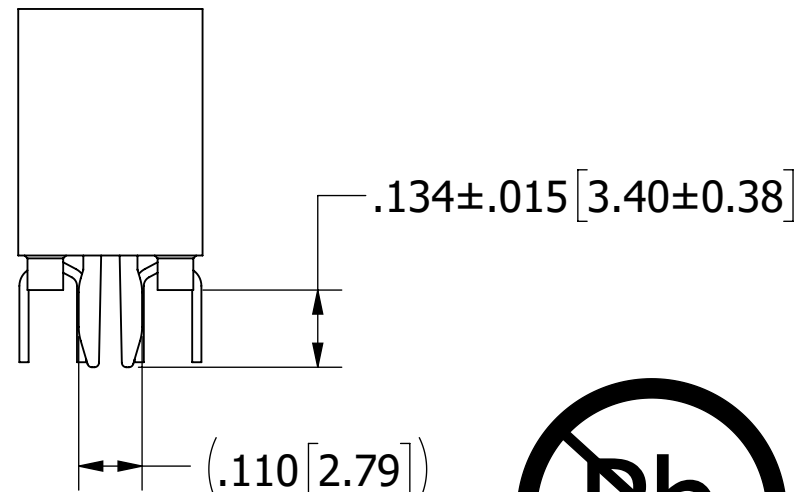
.000010" GOLD OVERALL



__B__DYHN-S1355



__B__DYHR-S1355



RoHS COMPLIANT

CUSTOMER COPY

UNLESS OTHERWISE SPECIFIED: DIMENSIONS ARE IN INCHES (MM)		DRAWN	DATE	NAME		
			10/10/12	JH		
TOLERANCES:					THE INFORMATION HEREIN CONTAINS PROPRIETARY INFORMATION OF SULLINS ELECTRONICS AND IS NOT TO BE REPRODUCED, USED OR DISCLOSED TO OTHERS FOR ANY PURPOSE EXCEPT AS SPECIFICALLY AUTHORIZED IN WRITING BY AN OFFICER OF SULLINS ELECTRONICS.	
ANGULAR: ± 1°					TITLE 0.050" PITCH ULTRA THIN CONNECTOR	
DECIMALS .XX = ± .02 [.5] .XXX = ± .005 [.13] .XXXX = ± .0005 [.013]					PART NUMBER __B__DYH_-S1355	
SIZE	CAGE CODE	DWG. NO.		REV		
C	54453	C11238		E		
SCALE: 3:1			SHEET 2 OF 2			