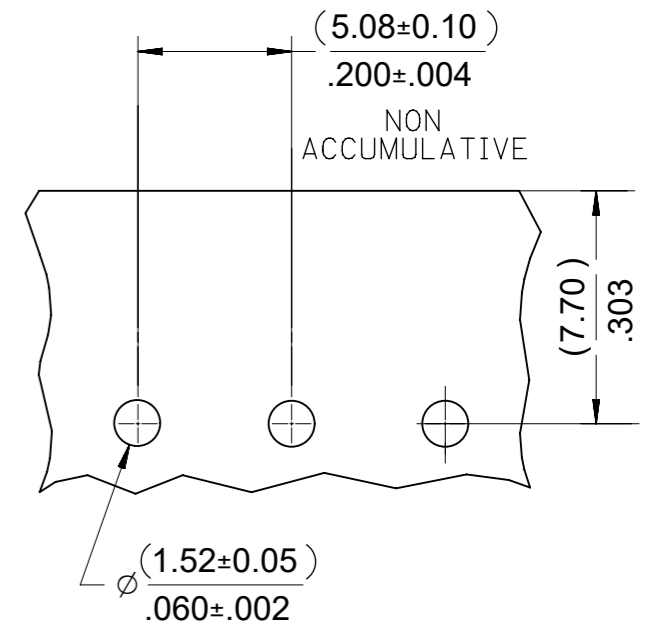
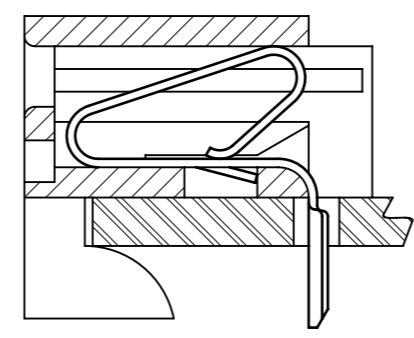
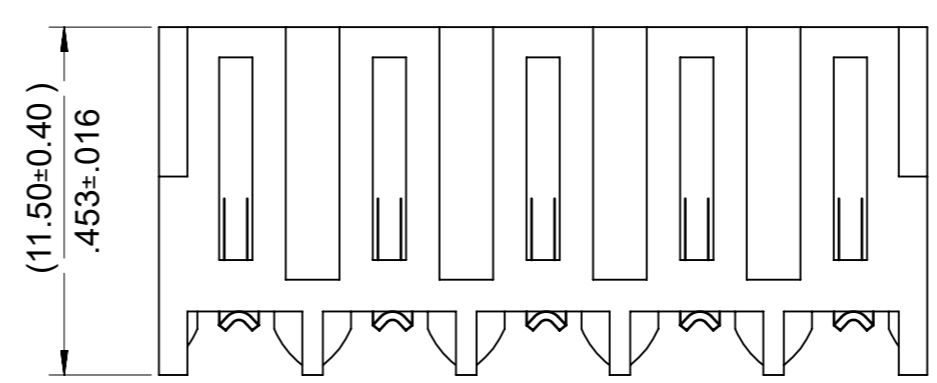
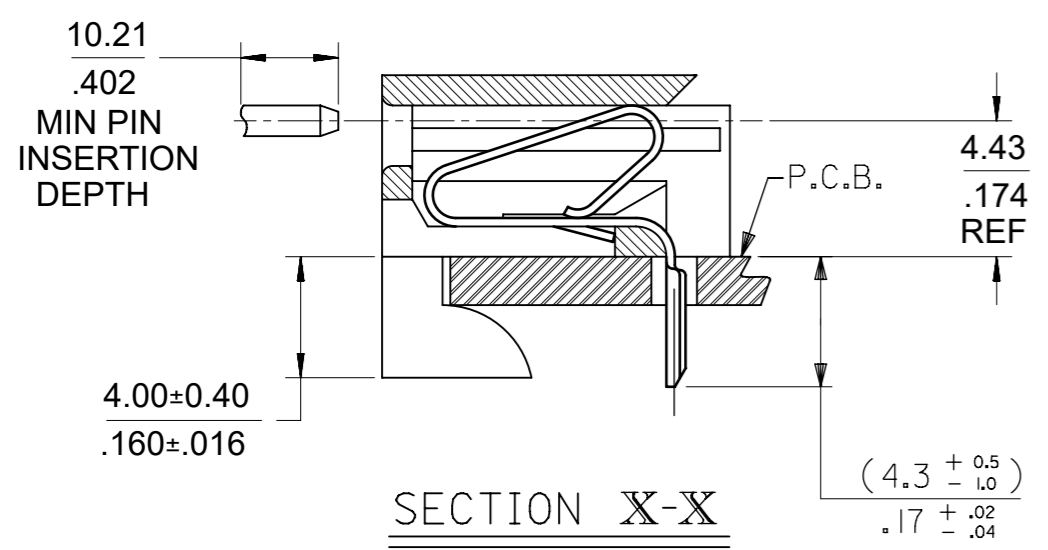
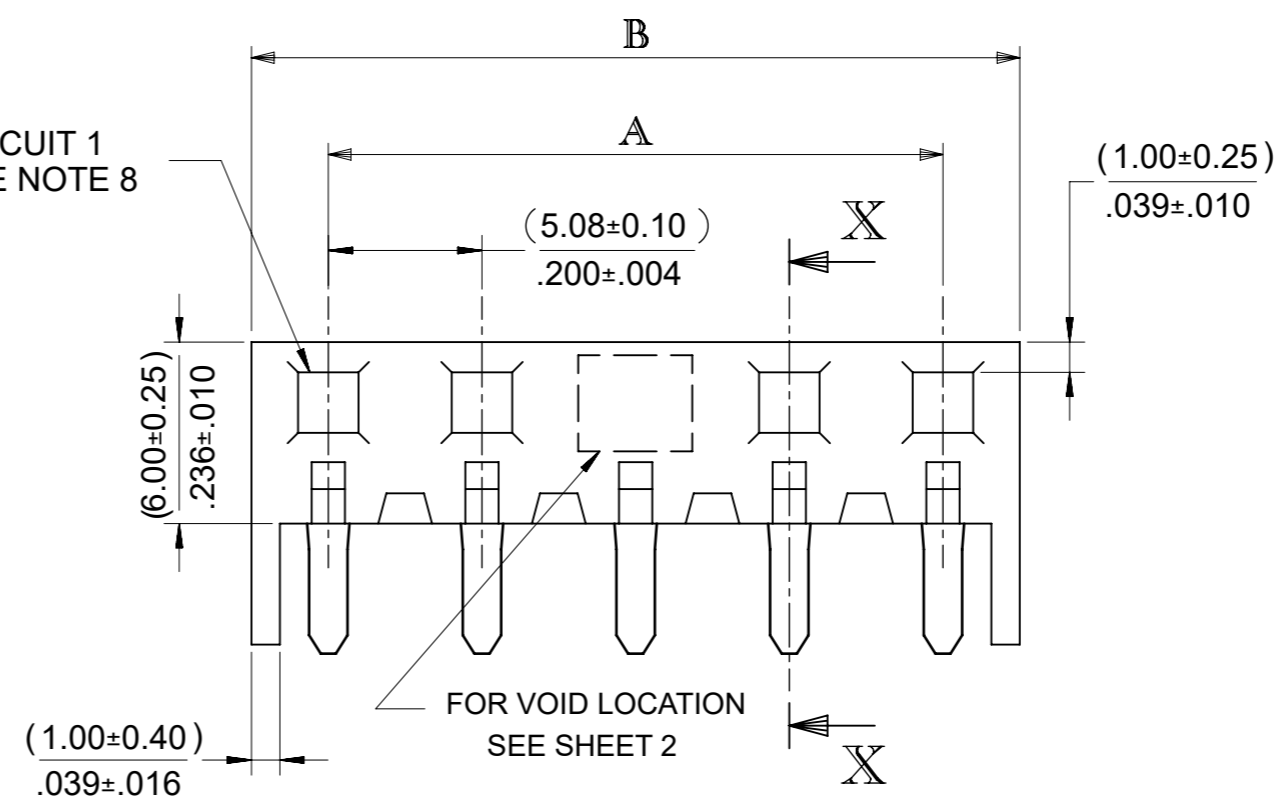


CCT	PART No.	ENG No.	DIM A	DIM B
5	10-10-1051	AE-3002-5A	(20.32 ± 0.10) $.800 \pm .004$	(25.40 ± 0.2) $1.000 \pm .006$
11	10-10-1111	AE-3002-11A	(50.80 ± 0.20) $2.000 \pm .008$	(55.88 ± 0.2) $2.200 \pm .008$

CIRCUIT 1
SEE NOTE 8



RECOMMENDED P.C.B. HOLE DIMENSIONS
RECOMMENDED P.C.B. THICKNESS: 1.57/.062

- NOTES:
- HOUSING : NYLON, UL94V-2, COLOR: NATURAL
TERMINAL : PHOSPHOR BRONZE
 - FINISH: HOT TIN DIP. (0.00254)/.000100 MIN
 - PRODUCT SPECIFICATION : PS-99020-0087
 - PACKAGING SPECIFICATION : TBD
 - HOUSING SUITABLE FOR $(1.14 \pm 0.15)/.045 \pm .006$ RD OR SQ. PINS
 - HOOKS AVAILABLE ON ENDS ONLY
 - THIS PART CONFORMS TO CLASS B REQUIREMENTS OF COSMETIC SPECIFICATION PS-45499-002
 - CIRCUIT 1 I.D. USED TO DEFINE VOID LOCATION.
CIRCUIT 1 MAY OR MAY NOT LINE UP WITH CIRCUIT 1 OF MATING PART

THIS DRAWING CONTAINS INFORMATION THAT IS PROPRIETARY TO MOLEX ELECTRONIC TECHNOLOGIES, LLC AND SHOULD NOT BE USED WITHOUT WRITTEN PERMISSION									
DIMENSION UNITS MM/IN		SCALE 4:1		CURRENT REV DESC: OBSOLETE PART NUMBERS AS PER PCN 508518				molex	
GENERAL TOLERANCES (UNLESS SPECIFIED)				EC NO: 671087					
				DRWN: RPRABHUM		2021/05/21		KONEKTCON AND P.C. TAIL TERMINAL ASSEMBLY (5.08)/.200 PITCH	
				CHK'D: GGA		2021/08/06		PRODUCT CUSTOMER DRAWING	
				APPR: GGA		2021/08/06		DOCUMENT NUMBER	
				INITIAL REVISION:				DOCS TYPE	
				DRWN: GCH		1995/06/15		DOC PART	
				APPR: JDENNEHY		2005/08/31		REVISION	
				ANGULAR TOL ± °				SDAE-3002-NA-X	
DRAFT WHERE APPLICABLE MUST REMAIN WITHIN DIMENSIONS		THIRD ANGLE PROJECTION		DRAWING		SERIES		MATERIAL NUMBER	
				A3-SIZE		3002		CUSTOMER	
						SEE CHART		GENERAL MARKET	
								SHEET NUMBER	
								1 OF 2	

10 9 8 7 6 5 4 3 2 1

F
E
D
C
B
A

F
E
D
C
B
A

CCT	PART No.	ENG No.	VOID CCT. No's	HOOKS
8	10-05-1089	AE-3002-8A-3	3	YES
9	38-00-1502	AE-3002-9A-51	2,4,6,8	YES

THIS DRAWING CONTAINS INFORMATION THAT IS PROPRIETARY TO MOLEX ELECTRONIC TECHNOLOGIES, LLC AND SHOULD NOT BE USED WITHOUT WRITTEN PERMISSION									
DIMENSION UNITS MM/IN		SCALE 1:1		CURRENT REV DESC: OBSOLETE PART NUMBERS AS PER PCN 508518			molex		
GENERAL TOLERANCES (UNLESS SPECIFIED)				EC NO: 671087					
				DRWN: RPRABHUM 2021/05/21			PRODUCT CUSTOMER DRAWING		
				CHK'D: GGA 2021/08/06					
				APPR: GGA 2021/08/06					
				INITIAL REVISION:			DOCUMENT NUMBER		
				DRWN: GCH 1995/06/15			SDAE-3002-NA-X		
				APPR: JDENNEHY 2005/08/31			PSD 001 N		
				ANGULAR TOL ± °			SHEET NUMBER		
DRAFT WHERE APPLICABLE MUST REMAIN WITHIN DIMENSIONS		THIRD ANGLE PROJECTION 		DRAWING A3-SIZE		SERIES 3002		MATERIAL NUMBER SEE CHART	
				CUSTOMER GENERAL MARKET		2 OF 2			

DOCUMENT STATUS	P1	RELEASE DATE	2021/08/06	10:26:04
-----------------	----	--------------	------------	----------

9 8 7 6 5 4 3 2 1

FORMAT: Met lego-master-ib-prod-A3
REVISION: E
DATE: 2020/01/14