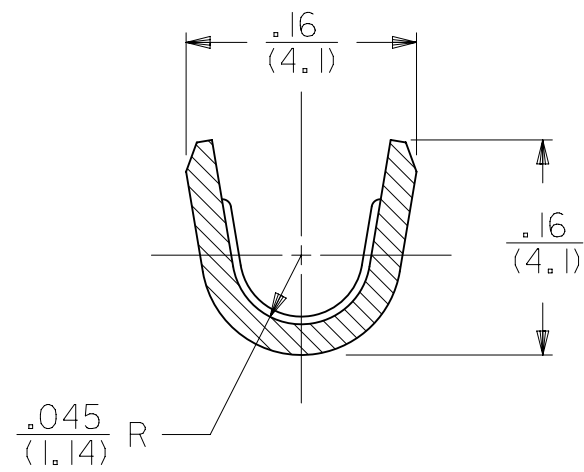
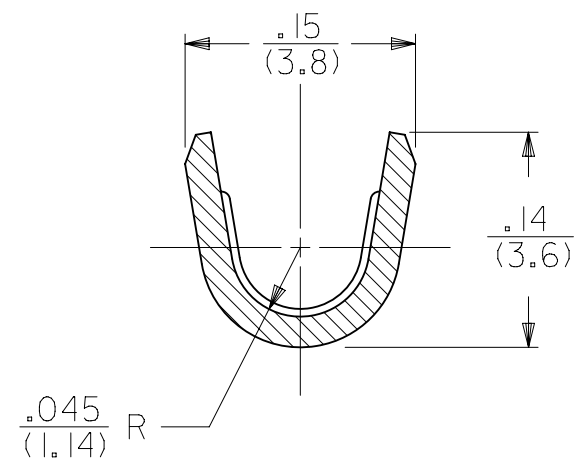


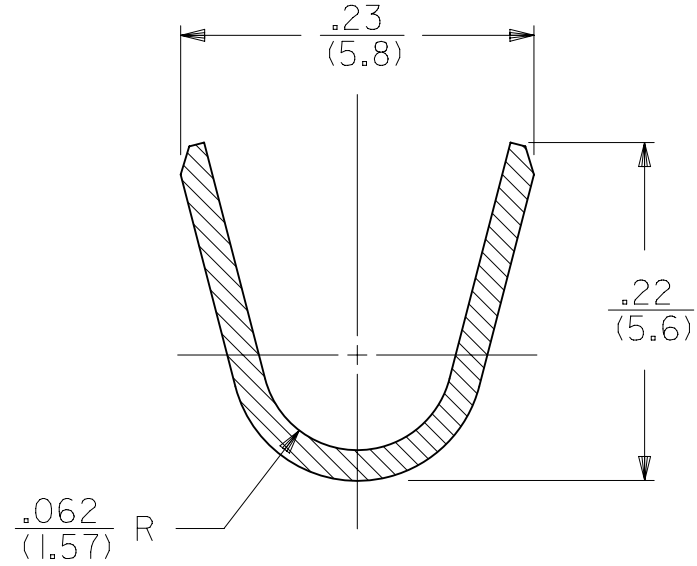
SECTION A-A  
SCALE 8:1



SECTION B-B  
SCALE 8:1  
14 AWG WIRE



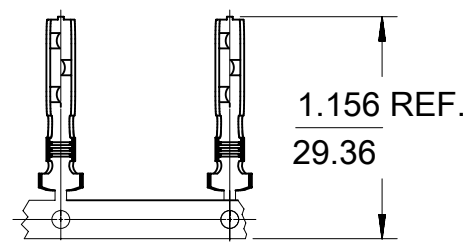
SECTION B-B  
SCALE 8:1  
18-16 AWG WIRE



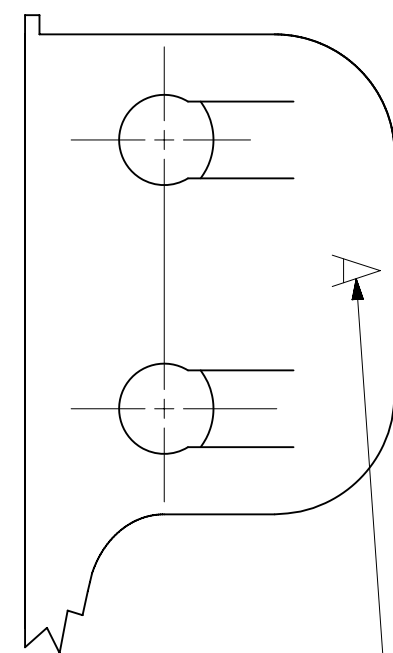
SECTION C-C  
SCALE 8:1

NOTES:

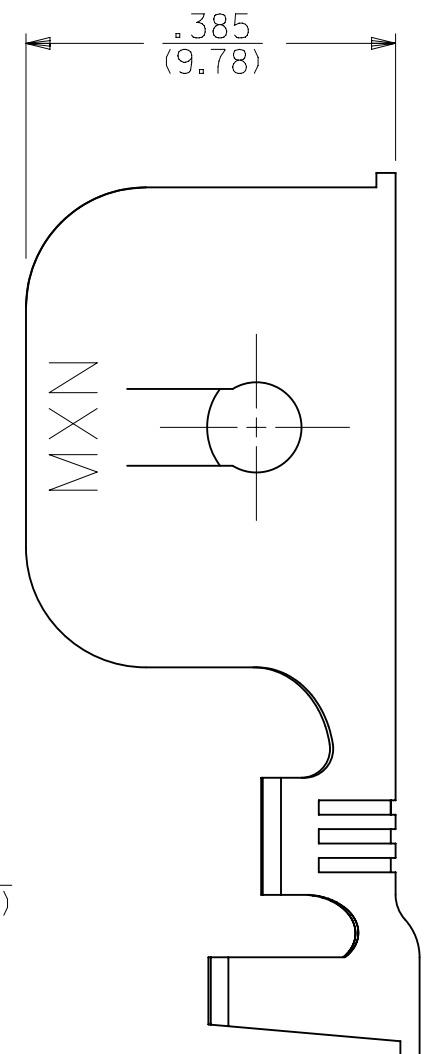
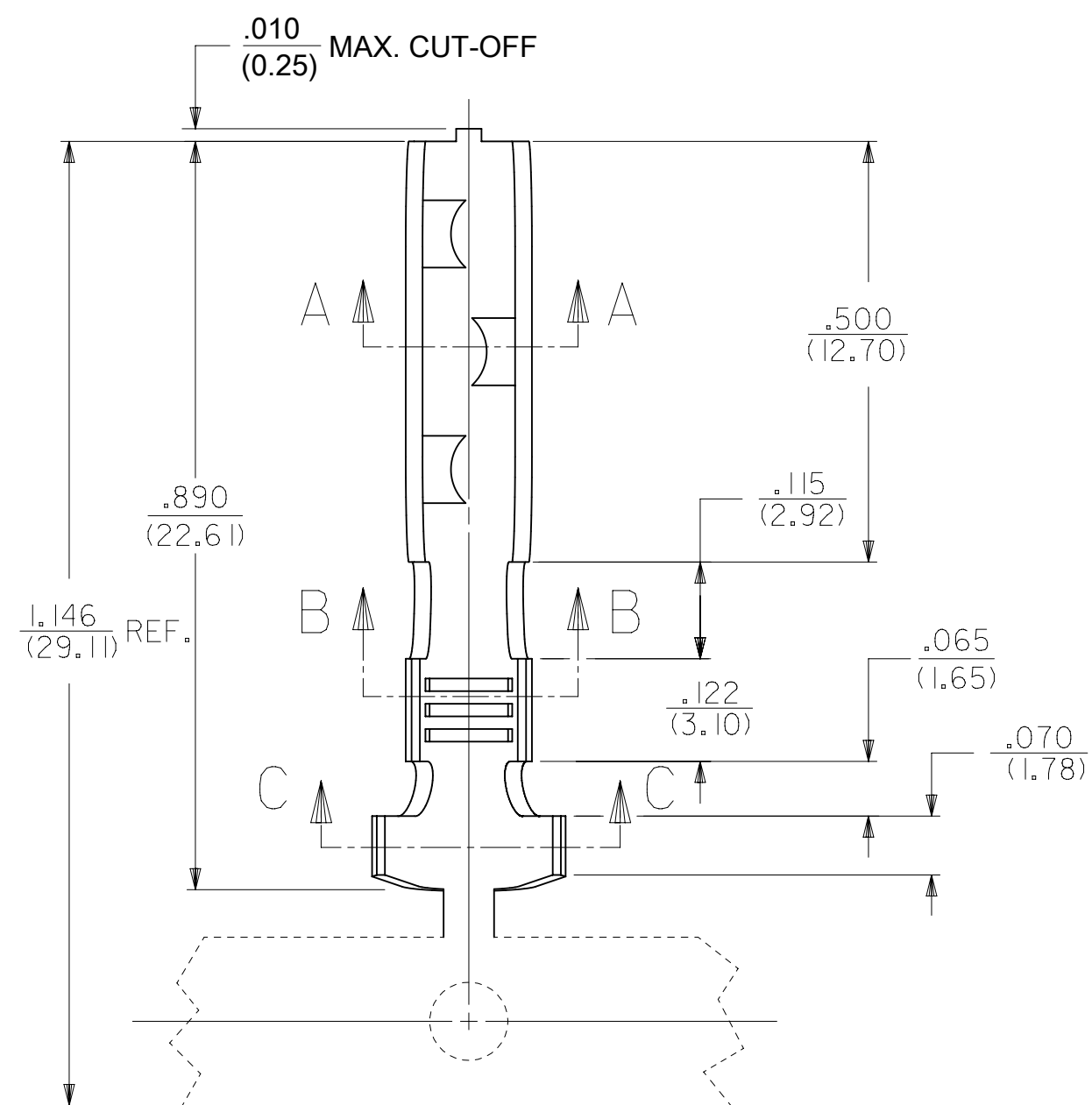
1. MATERIAL: 301 STAINLESS STEEL, .020 / (0.51) THICK
2. FINISH: NONE
3. PRODUCT SPECIFICATION: NONE
4. PACKAGING SPECIFICATION: 421720001-PK
5. THIS GROUND CLIP CRIMPS TO 14-18 AWG WIRE WITH .031/0.79 THICK INSULATION. SEE CHART FOR WIRE AWG AND RECOMMENDED PANEL THICKNESS.
6. THIS CLIP IS INTENDED FOR USE AS A SECONDARY GROUND.



CARRIER VIEW



CLIP IDENTIFICATION  
LETTER(S) IN ENGINEERING NO. SUFFIX  
42172 - \*\*1  
SEE CHART



40-06-2014	42172-AA1	AA	.008/(0.20)	.15/(3.8)	.015/(0.38)-.035/(0.89)	14 AWG	2x 16 AWG
50-29-1597	42172-H1	H	.035/(0.89)	.17/(4.3)	.045/(1.14)-.060/(1.52)	16-18 AWG	2x 18 AWG OR 1x 18 AWG AND 1x 16 AWG
40-06-2013	42172-C1	C	.050/(1.27)	.17/(4.3)	.060/(1.52)-.075/(1.91)		
40-06-2005	42172-B1	B	.025/(0.64)	.17/(4.3)	.035/(0.89)-.050/(1.27)		
40-06-2003	42172-A1	A	.008/(0.20)	.15/(3.8)	.015/(0.38)-.035/(0.89)		
40-06-2024	42172-G1	G	.004/(0.10)	.15/(3.8)	.015/(0.38)-.035/(0.89)		
PART NO.	ENG. NO.	CLIP I.D. LETTER	DIM. "D"	DIM. "E"	PANEL THICKNESS RANGE	SINGLE WIRE GAGE	DOUBLE WIRE COMBINATION

THIS DRAWING CONTAINS INFORMATION THAT IS PROPRIETARY TO MOLEX ELECTRONIC TECHNOLOGIES, LLC AND SHOULD NOT BE USED WITHOUT WRITTEN PERMISSION

DIMENSION UNITS		SCALE		CURRENT REV DESC: REVISE NOTES, ADD CLIP ID TO CHART		<b>molex</b>	
IN/MM		5:1					
GENERAL TOLERANCES (UNLESS SPECIFIED)				EC NO: 720821		GROUND CLIP	
				DRWN: MKIPPER 2022/04/22			
4 PLACES ±				CHK'D: RICARC13 2022/10/17		PRODUCT CUSTOMER DRAWING	
3 PLACES ± 0.01				APPR: FSMITH 2022/10/21			
2 PLACES ± 0.25 ± 0.014				INITIAL REVISION:		DOCUMENT NUMBER	
1 PLACE ± 0.35 ± 0.01				DRWN: MAB 1992/07/24			
0 PLACES ±				APPR: RAS 1992/07/24		SD-42172-XX	
ANGULAR TOL ± 0.5°				THIRD ANGLE PROJECTION		DOC TYPE DOC PART REVISION	
DRAFT WHERE APPLICABLE MUST REMAIN WITHIN DIMENSIONS				DRAWING C-SIZE		PSD 001 T2	
				SERIES 42172		MATERIAL NUMBER	
						CUSTOMER	
						GENERAL MARKET	
						SHEET NUMBER	
						1 OF 1	