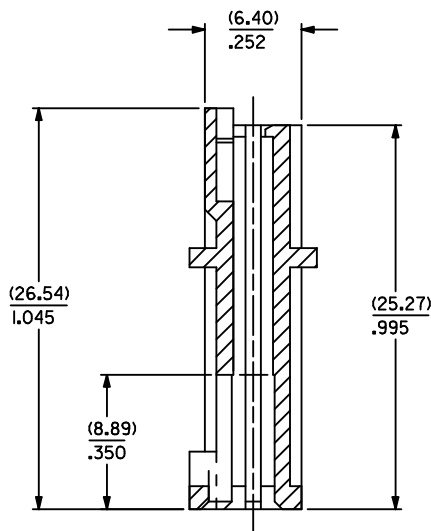
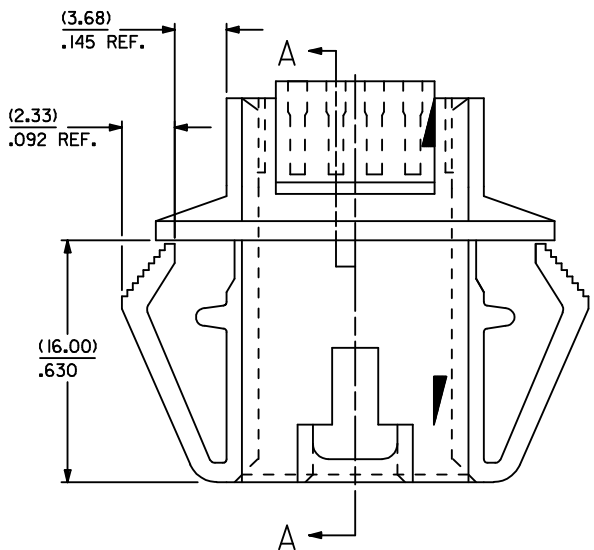
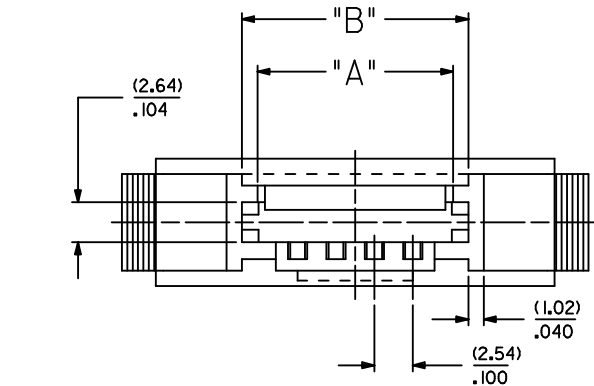


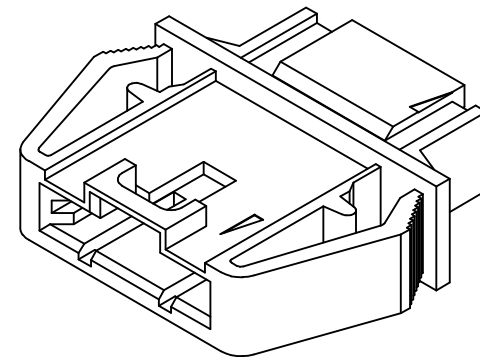
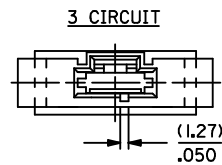
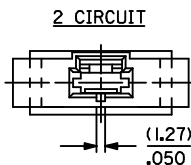
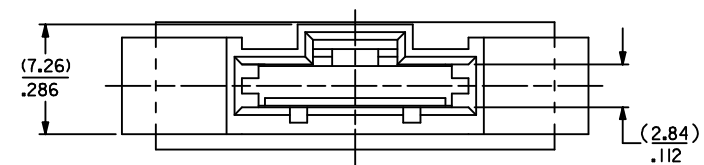
NOTES :

- 1) MATERIAL : POLYESTER, 94V-0
COLOR : BLACK
- 2) SEE CHART FOR CIRCUIT SIZES .
- 3) HOUSING TO BE USED WITH 70400 SERIES HOUSING (OPTION "G" & OPTION "D").
- 4) PANEL THICKNESS (0.81)/.032 - (2.36)/.093
- 5) SEE SHEET 2 FOR MOUNTING HOLE DIMENSIONS .
- 6) PACKAGE PER PK-70018-100.

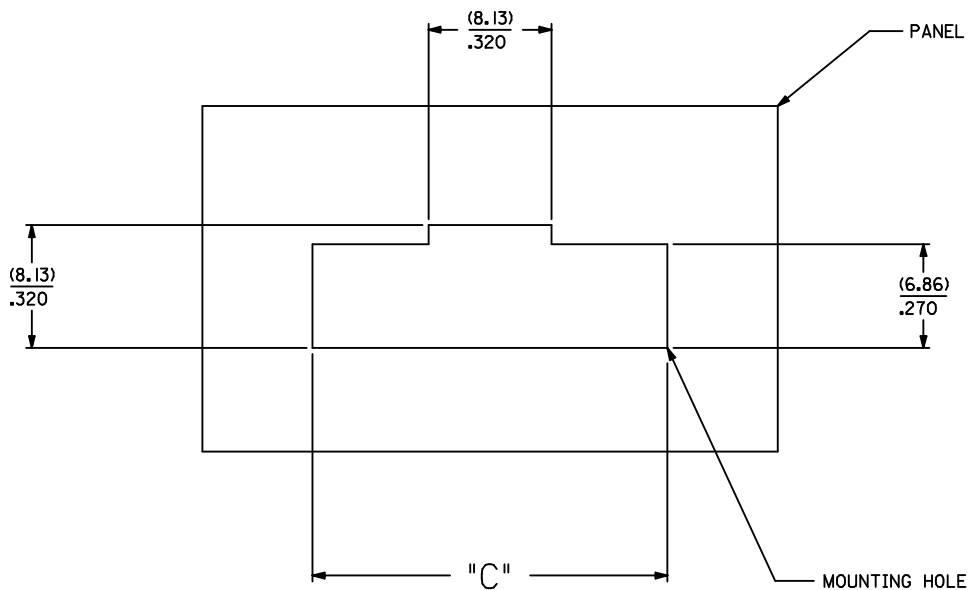
CKT. NO.	EDP. NO.	ENG. NO.	DIM. A	DIM. B
2	50-65-0202	70018-0001	(5.21) .205	(7.37) .290
3	50-65-0203	70018-0002	(7.75) .305	(9.91) .390
4	50-65-0204	70018-0003	(10.29) .405	(12.45) .490
5	50-65-0205	70018-0004	(12.83) .505	(14.99) .590
6	50-65-0206	70018-0005	(15.37) .605	(17.53) .690
7	50-65-0207	70018-0006	(17.91) .705	(20.07) .790
8	50-65-0208	70018-0007	(20.45) .805	(22.61) .890
9	50-65-0209	70018-0008	(22.99) .905	(25.15) .990
10	50-65-0210	70018-0009	(25.53) 1.005	(27.69) 1.090
11	50-65-0211	70018-0010	(28.07) 1.105	(30.23) 1.190
12	50-65-0212	70018-0011	(30.61) 1.205	(32.77) 1.290
13	50-65-0213	70018-0012	(33.15) 1.305	(35.31) 1.390
14	50-65-0214	70018-0013	(35.69) 1.405	(37.89) 1.490
15	50-65-0215	70018-0014	(38.23) 1.505	(40.39) 1.590
16	50-65-0216	70018-0015	(40.77) 1.605	(42.93) 1.690
17	50-65-0217	70018-0016	(43.31) 1.705	(45.47) 1.790
18	50-65-0218	70018-0017	(45.85) 1.805	(48.01) 1.890
19	50-65-0219	70018-0018	(48.39) 1.905	(50.55) 1.990
20	50-65-0220	70018-0019	(50.93) 2.005	(53.09) 2.090
21	50-65-0221	70018-0020	(53.47) 2.105	(55.63) 2.190
22	50-65-0222	70018-0021	(56.01) 2.205	(58.17) 2.290
23	50-65-0223	70018-0022	(58.55) 2.305	(60.71) 2.390
24	50-65-0224	70018-0023	(61.09) 2.405	(63.25) 2.490
25	50-65-0225	70018-0024	(63.63) 2.505	(65.79) 2.590



SECTION A-A



REVISE EC NO: UCP2008-0711 DRWNG: MORGAN 2007/10/02 CHKD: M. S. IBARRA 2007/10/09 APPR: S. MILLER 2007/10/10 M	QUALITY SYMBOLS ▽=0 ▽=0	GENERAL TOLERANCES (UNLESS SPECIFIED)		DIMENSION STYLE MM/IN	SCALE INCH	THIRD ANGLE PROJECTION
		4 PLACES ± --- ± --- 3 PLACES ± --- ± .010 2 PLACES ± 0.25 ± .014 1 PLACE ± 0.35 ± ---	DRAWN BY ME	DATE 1984/04/10	TITLE HOUSING PANEL MOUNT (OPTION "G" HOUSING TO OPTION "D" HOUSING)	
		ANGULAR ± 1/2°	CHECKED BY WZ	DATE 1984/04/10	MOLEX INCORPORATED	
		DRAFT WHERE APPLICABLE MUST REMAIN WITHIN DIMENSIONS	APPROVED BY RL	DATE 1984/04/10	SHEET NO. 1 OF 2	
		MATERIAL NO. SEE CHART		DOCUMENT NO. SD-70018-0001-0024		
THIS DRAWING CONTAINS INFORMATION THAT IS PROPRIETARY TO MOLEX INCORPORATED AND SHOULD NOT BE USED WITHOUT WRITTEN PERMISSION						



RECOMMENDED MOUNTING HOLE LAYOUT

CKT. NO.	EDP. NO.	ENG. NO.	DIM. C
2	50-65-0202	700 18-0001	(15.87) .625
3	50-65-0203	700 18-0002	(18.41) .725
4	50-65-0204	700 18-0003	(20.95) .825
5	50-65-0205	700 18-0004	(23.49) .925
6	50-65-0206	700 18-0005	(26.03) 1.025
7	50-65-0207	700 18-0006	(28.57) 1.125
8	50-65-0208	700 18-0007	(31.11) 1.225
9	50-65-0209	700 18-0008	(33.65) 1.325
10	50-65-0210	700 18-0009	(36.19) 1.425
11	50-65-0211	700 18-0010	(38.73) 1.525
12	50-65-0212	700 18-0011	(41.27) 1.625
13	50-65-0213	700 18-0012	(43.81) 1.725
14	50-65-0214	700 18-0013	(46.35) 1.825
15	50-65-0215	700 18-0014	(48.89) 1.925
16	50-65-0216	700 18-0015	(51.43) 2.025
17	50-65-0217	700 18-0016	(53.97) 2.125
18	50-65-0218	700 18-0017	(56.51) 2.225
19	50-65-0219	700 18-0018	(59.05) 2.325
20	50-65-0220	700 18-0019	(61.59) 2.425
21	50-65-0221	700 18-0020	(64.13) 2.525
22	50-65-0222	700 18-0021	(66.67) 2.625
23	50-65-0223	700 18-0022	(69.21) 2.725
24	50-65-0224	700 18-0023	(71.75) 2.825
25	50-65-0225	700 18-0024	(74.29) 2.925

REVISE EC NO: UCP2008-0711 DRW:DMORGAN 2007/10/02 CHKD:MSIBARRA 2007/10/09 APPR:SMILLER 2007/10/10 M	QUALITY SYMBOLS ▽=0 ▽=0	GENERAL TOLERANCES (UNLESS SPECIFIED)		DIMENSION STYLE MM/IN		SCALE 4:1	DESIGN UNITS INCH	THIRD ANGLE PROJECTION			
		4 PLACES ± --- ± ---	3 PLACES ± --- ± .010	DRAWN BY ME	DATE 1984/04/10	HOUSING PANEL MOUNT (OPTION "G" HOUSING TO OPTION "D" HOUSING)					
		2 PLACES ± 0.25 ± .014	1 PLACE ± 0.35 ± ---	CHECKED BY WZ	DATE 1984/04/10						
		ANGULAR ± 1/2°		APPROVED BY RL	DATE 1984/04/10	MATERIAL NO. SEE CHART		DOCUMENT NO. SD-70018-0001-0024		SHEET NO. 2 OF 2	
DRAFT WHERE APPLICABLE MUST REMAIN WITHIN DIMENSIONS				THIS DRAWING CONTAINS INFORMATION THAT IS PROPRIETARY TO MOLEX INCORPORATED AND SHOULD NOT BE USED WITHOUT WRITTEN PERMISSION							