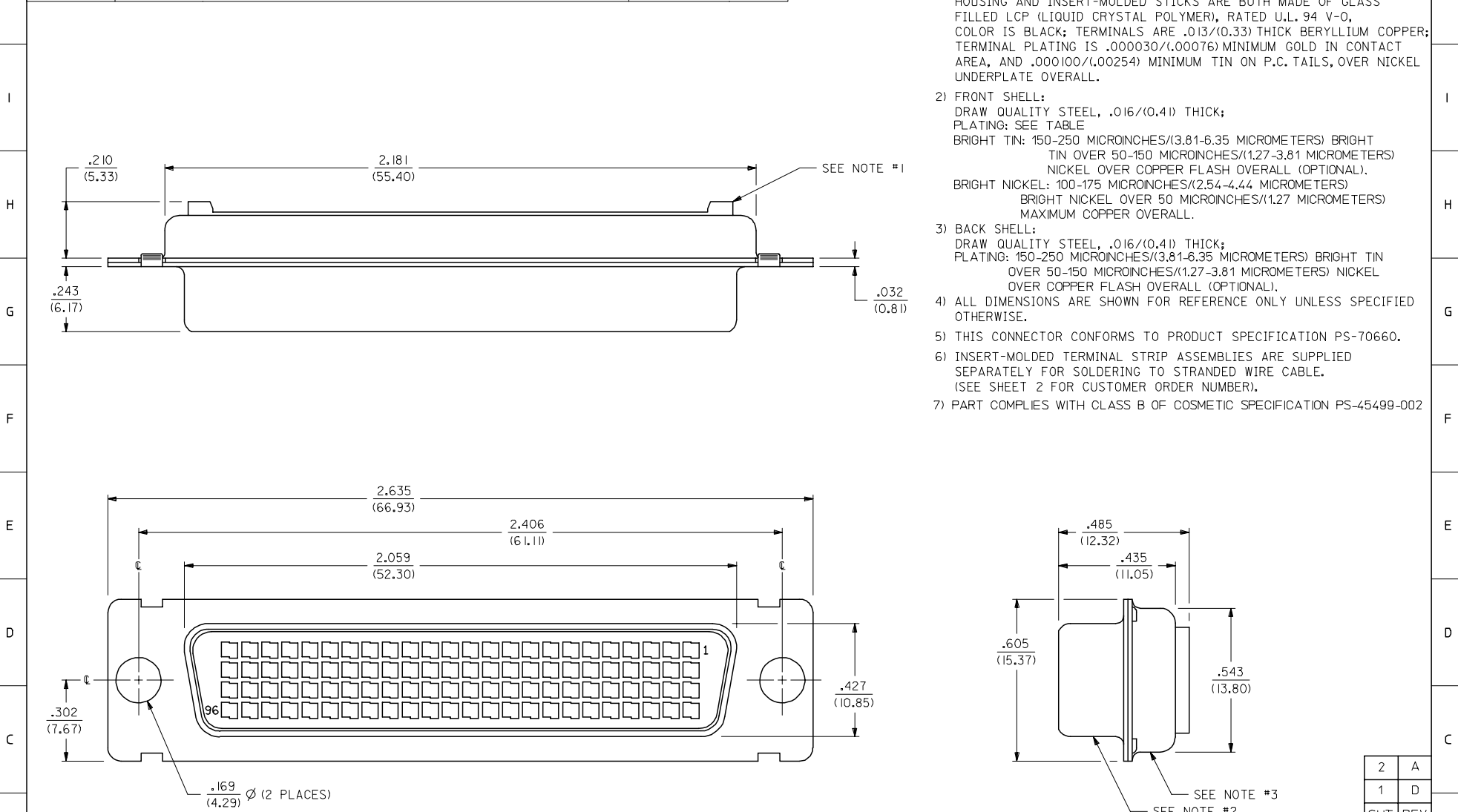


EDP NUMBER	PRODUCT DESCRIPTION	FRONT SHELL PLATING
051-26-0002	RECEPT. CONNECTOR SUB-ASSEMBLY (FRONT SHELL-HOUSING-BACK SHELL) ONLY	BRIGHT TIN
70660-8002	RECEPT. CONNECTOR SUB-ASSEMBLY (FRONT SHELL-HOUSING-BACK SHELL) ONLY	BRIGHT NICKEL

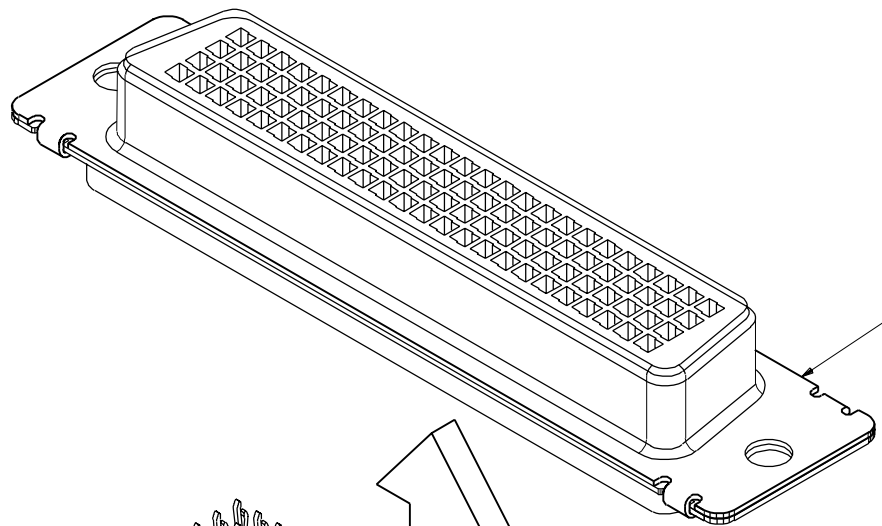
**NOTES:**

- CONNECTOR MATERIALS:  
HOUSING AND INSERT-MOLDED STICKS ARE BOTH MADE OF GLASS FILLED LCP (LIQUID CRYSTAL POLYMER), RATED U.L. 94 V-0, COLOR IS BLACK; TERMINALS ARE .013/(0.33) THICK BERYLLIUM COPPER; TERMINAL PLATING IS .000030/(.00076) MINIMUM GOLD IN CONTACT AREA, AND .000100/(.00254) MINIMUM TIN ON P.C. TAILS, OVER NICKEL UNDERPLATE OVERALL.
- FRONT SHELL:  
DRAW QUALITY STEEL, .016/(0.41) THICK;  
PLATING: SEE TABLE  
BRIGHT TIN: 150-250 MICRONCHES/(3.81-6.35 MICROMETERS) BRIGHT TIN OVER 50-150 MICRONCHES/(1.27-3.81 MICROMETERS) NICKEL OVER COPPER FLASH OVERALL (OPTIONAL).  
BRIGHT NICKEL: 100-175 MICRONCHES/(2.54-4.44 MICROMETERS) BRIGHT NICKEL OVER 50 MICRONCHES/(1.27 MICROMETERS) MAXIMUM COPPER OVERALL.
- BACK SHELL:  
DRAW QUALITY STEEL, .016/(0.41) THICK;  
PLATING: 150-250 MICRONCHES/(3.81-6.35 MICROMETERS) BRIGHT TIN OVER 50-150 MICRONCHES/(1.27-3.81 MICROMETERS) NICKEL OVER COPPER FLASH OVERALL (OPTIONAL).
- ALL DIMENSIONS ARE SHOWN FOR REFERENCE ONLY UNLESS SPECIFIED OTHERWISE.
- THIS CONNECTOR CONFORMS TO PRODUCT SPECIFICATION PS-70660.
- INSERT-MOLDED TERMINAL STRIP ASSEMBLIES ARE SUPPLIED SEPARATELY FOR SOLDERING TO STRANDED WIRE CABLE. (SEE SHEET 2 FOR CUSTOMER ORDER NUMBER).
- PART COMPLIES WITH CLASS B OF COSMETIC SPECIFICATION PS-45499-002

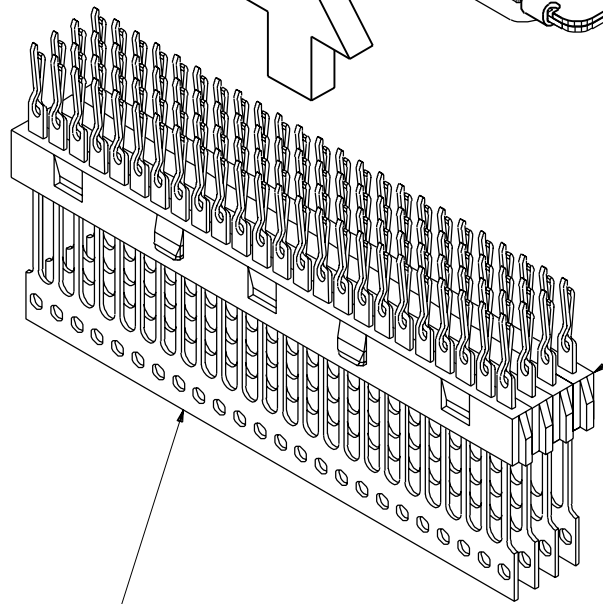


NOTE FOR LEAD FREE CONVERSION:  
THE PRIMARY SHIPPING CARTON WILL BE LABELED "COMPLIANT TO RoHS DIRECTIVE 2002/95/EC AND ELV ANNEX II OF DIRECTIVE 2000/53/EC". CARTONS WITHOUT THIS LABEL MAY CONTAIN PRODUCT WITH LEAD.

<b>ADD NOTE 7</b> EC NO: UCP2006-3051 2006/07/10 DRAWN BY: BARRA 2006/07/10 CHKD: BORGAN 2006/07/10 APPR: SMILLER 2006/07/11	QUALITY SYMBOLS ▽=0 ▽=0	GENERAL TOLERANCES (UNLESS SPECIFIED)		DIMENSION STYLE IN/MM		SCALE 4:1	DESIGN UNITS INCH	THIRD ANGLE PROJECTION	
		4 PLACES ± --- ± ---	mm INCH	DRAWN BY SCHMIDGALL	DATE 93/04/21	TITLE LFH .075 PITCH, 96 CKT. VERTICAL I/O RECEPTACLE CONNECTOR FOR CABLE			
		3 PLACES ± --- ± ---	mm INCH	CHECKED BY CAB	DATE 93/04/21	MATERIAL NO. SDA-70660-2001			
		2 PLACES ± --- ± ---	mm INCH	APPROVED BY CAB	DATE 93/04/21	DOCUMENT NO. SDA-70660-2001			
1 PLACE ± --- ± ---		ANGULAR ±1/2°		SEE TABLE		SHEET NO. 1 OF 2		THIS DRAWING CONTAINS INFORMATION THAT IS PROPRIETARY TO MOLEX INCORPORATED AND SHOULD NOT BE USED WITHOUT WRITTEN PERMISSION	



RECEPTACLE CONNECTOR  
SUB-ASSEMBLY (AS SHOWN ON SHEET 1)



INSERT-MOLDED STICKS  
SUPPLIED SEPARATELY  
CUSTOMER ORDER NUMBER: 051-24-1004  
(SEE SALES DRAWING: SDA-71988-4001)

NOTE: CARRIER TO BE REMOVED PRIOR  
TO FASTENING CABLE BY CUSTOMER

70660

MFG. SH. REV.

LTR.	REVISIONS	LTR.	REVISIONS

DIMENSIONS SHOWN (METRIC) INCH  
UNLESS OTHERWISE SPECIFIED  
TOLERANCES: ANGULAR ± 1/2°

	INCH	METRIC
3 PLACE	±	—
2 PLACE	±	—
1 PLACE	±	—

DRAFT WHERE APPLICABLE MUST  
REMAIN WITHIN DIMENSIONS

DRWG. BY: SCHMIDGALL CHK'D. BY: CAB  
APP'D. BY: CAB SCALE: 4 : 1

TITLE		REVISE ONLY ON CAD SYSTEM	
LFH, .075 PITCH, 96 CKT., VERTICAL I/O RECEPT. CONNECTOR FOR CABLE (SALES DRAWING)			
PART NO.		SHEET NO.	DATE
SEE CHART		2	04/21/93
MOLEX INCORPORATED L15LE,ILL. 60532 U.S.A.			
DRWG. NO.		DIV. SIZE	
SDA-70660-2001		CPP C	
THIS DRAWING CONTAINS INFORMATION THAT IS PROPRIETARY TO MOLEX INC. AND SHOULD NOT BE USED WITHOUT WRITTEN PERMISSION.			