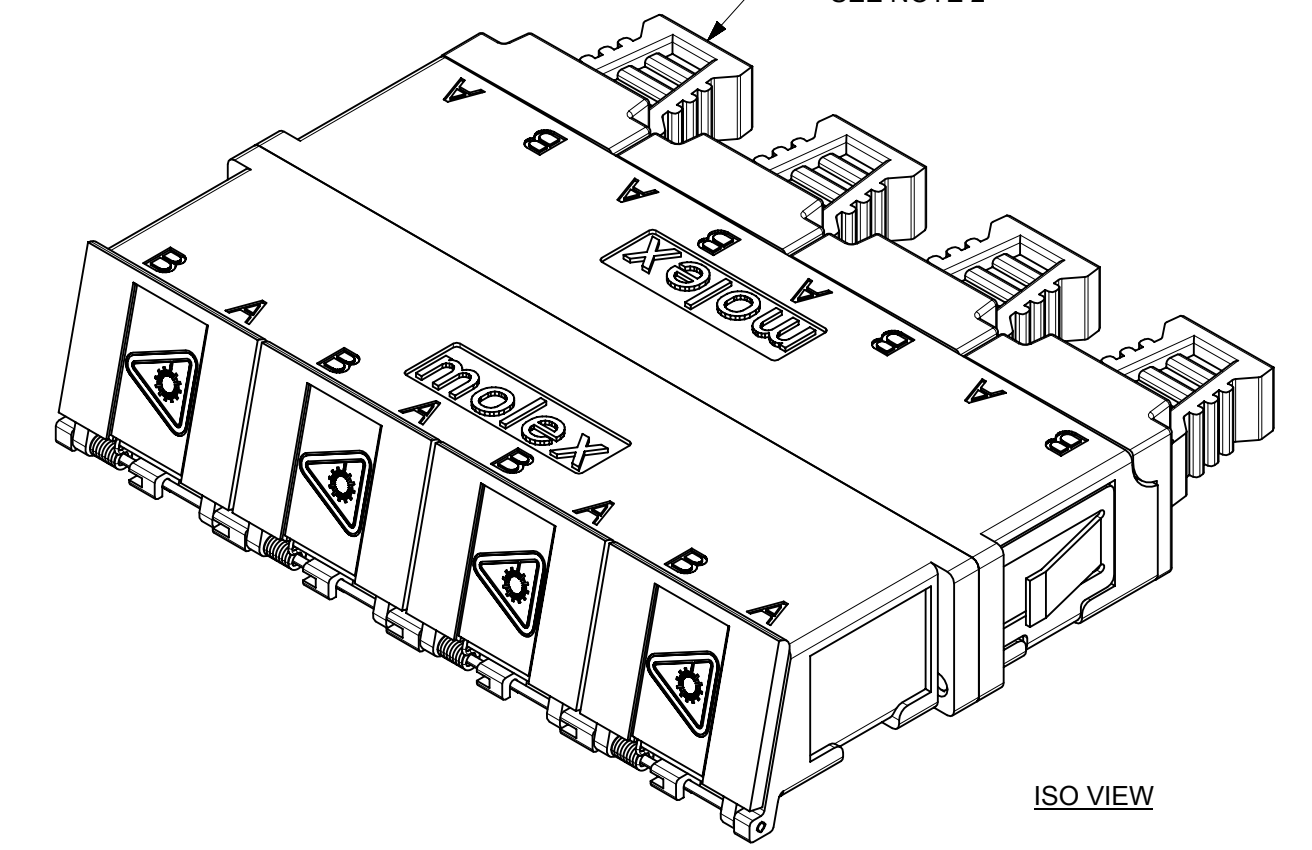
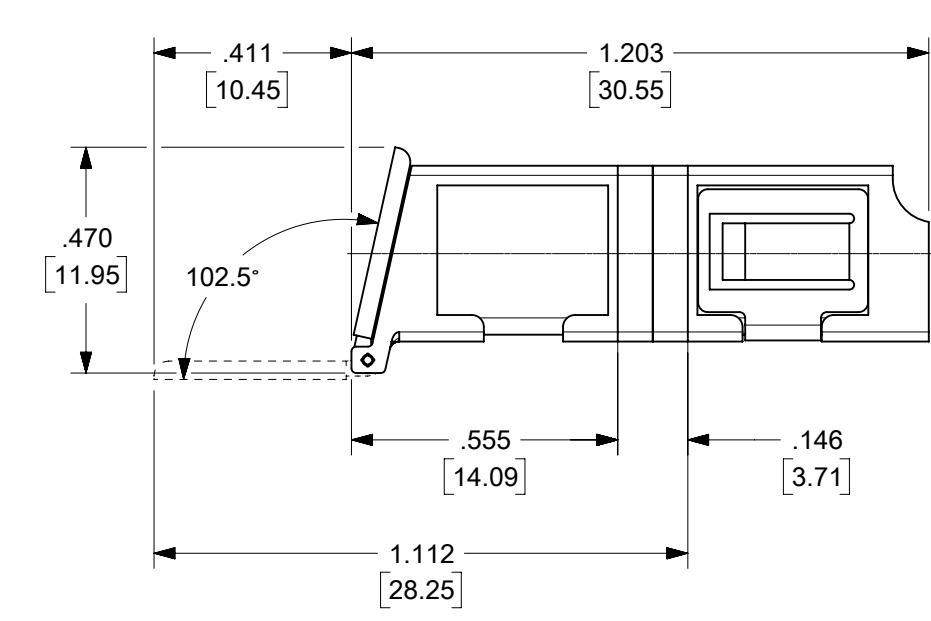
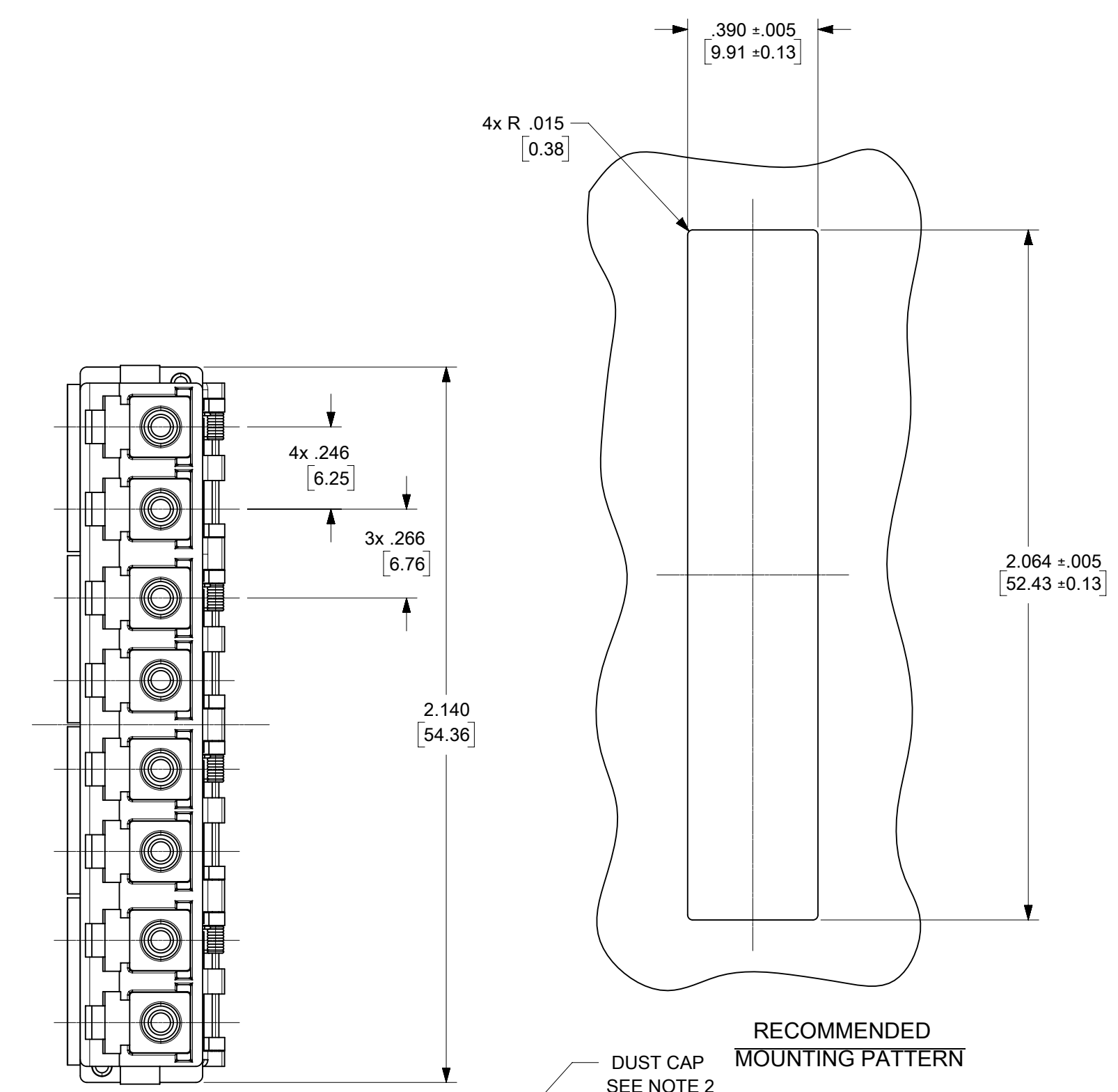
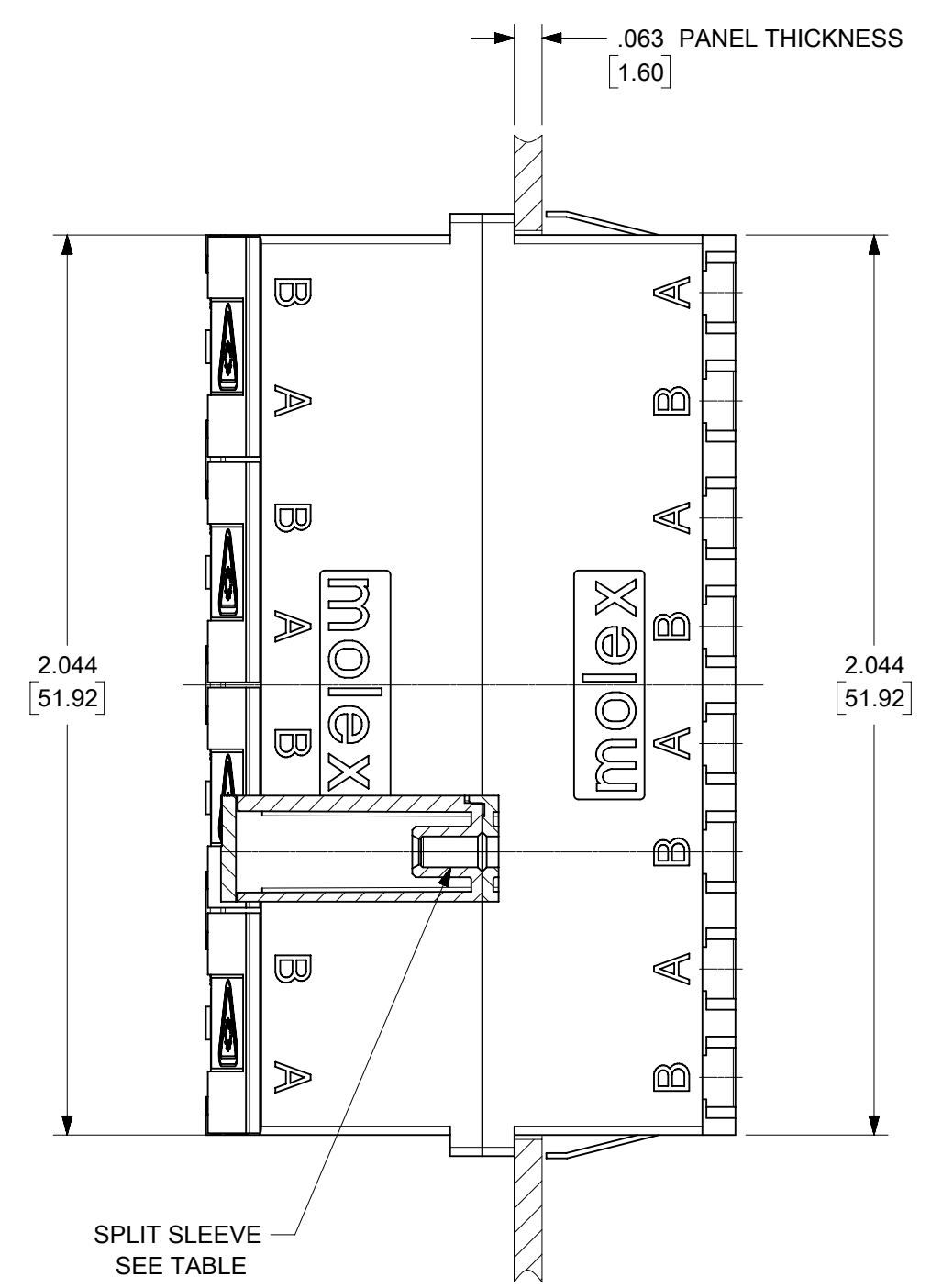
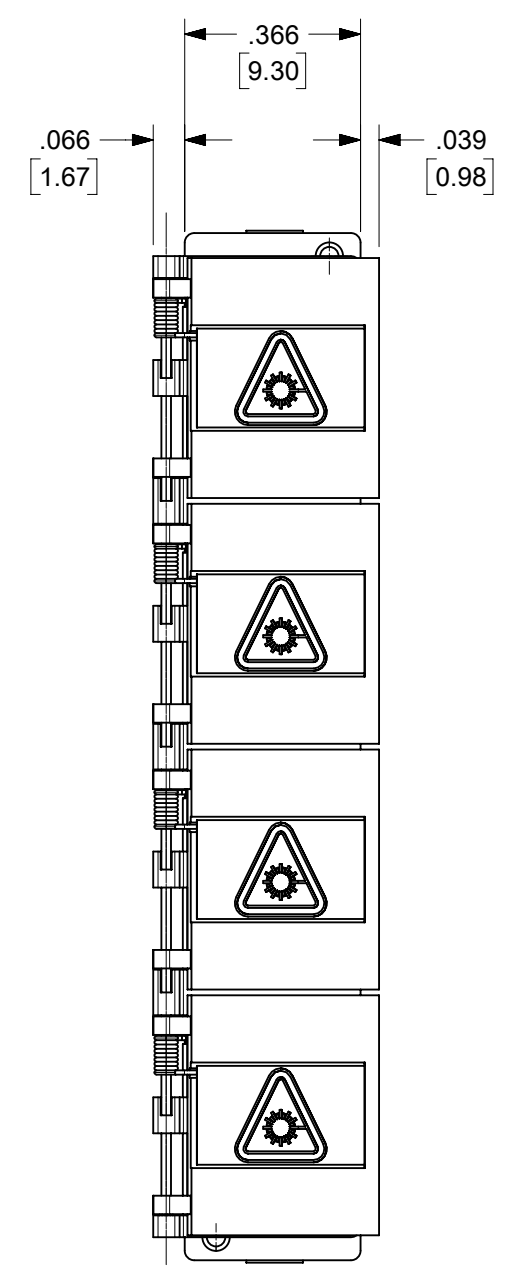


| LC 8 PORT ADAPTER |       | SPLIT SLEEVE<br>MATERIAL |
|-------------------|-------|--------------------------|
| P/N               | COLOR |                          |
| 106121-0300       | BLUE  | CERAMIC                  |
| 106121-0302       | BEIGE |                          |
| 106121-0303       | AQUA  |                          |



NOTES:  
 1. ALL DIMENSIONS ARE FOR REFERENCE.  
 2. DUST CAPS SHOWN IN ISO VIEW ONLY.

|   |  |       |  |                               |  |              |  |                     |  |
|---|--|-------|--|-------------------------------|--|--------------|--|---------------------|--|
| THIS DRAWING CONTAINS INFORMATION THAT IS PROPRIETARY TO MOLEX ELECTRONIC TECHNOLOGIES, LLC AND SHOULD NOT BE USED WITHOUT WRITTEN PERMISSION |  |       |  |                               |  |              |  |                     |  |
| DIMENSION UNITS   |  | SCALE |  | CURRENT REV DESC:             |  |              |  |                     |  |
| IN/MM   |  | 2.5:1 |  |                               |  |              |  |                     |  |
| GENERAL TOLERANCES (UNLESS SPECIFIED)   |  |       |  | EC NO: 652962                 |  |              |  |                     |  |
| 4 PLACES ±  |  | ±     |  | DRWN: SKRISHNAMU01 2021/05/28 |  |              |  |                     |  |
| 3 PLACES ±  |  | ±     |  | CHK'D: WCHEN 2021/08/24       |  |              |  |                     |  |
| 2 PLACES ±  |  | ±     |  | APPR: WCHEN 2021/08/24        |  |              |  |                     |  |
| 1 PLACE ±   |  | ±     |  | INITIAL REVISION:             |  |              |  |                     |  |
| 0 PLACES ±  |  | ±     |  | DRWN: YBELENIY 2011/09/07     |  |              |  |                     |  |
| ANGULAR TOL ± °   |  | °     |  | APPR: WCHEN 2012/02/06        |  |              |  |                     |  |
| DRAFT WHERE APPLICABLE MUST REMAIN WITHIN DIMENSIONS  |  |       |  | THIRD ANGLE PROJECTION        |  | DRAWING      |  | SERIES              |  |
|   |  |       |  | C-SIZE                        |  | 106121       |  |                     |  |
| DOCUMENT STATUS   |  |       |  | P1                            |  | RELEASE DATE |  | 2021/08/24 01:00:40 |  |
| 12  |  |       |  | 11                            |  | 10           |  | 9                   |  |
| 12  |  |       |  | 11                            |  | 10           |  | 9                   |  |

|                          |  |                |          |  |
|--------------------------|--|----------------|----------|--|
| <b>molex</b>             |  |                |          |  |
|                          |  |                |          | LC 8 PORT ADAPTER<br>SNAP MOUNT W/SHUTTERS |
| PRODUCT CUSTOMER DRAWING |  |                |          |  |
| DOCUMENT NUMBER          |  | DOC TYPE       | DOC PART | REVISION                                   |
| SD-106121-0300           |  | PSD            | 001      | D  |
| MATERIAL NUMBER          |  | CUSTOMER       |          | SHEET NUMBER                               |
| SEE TABLE                |  | GENERAL MARKET |          | 1 OF 1                                     |